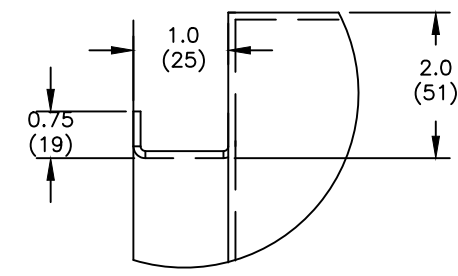


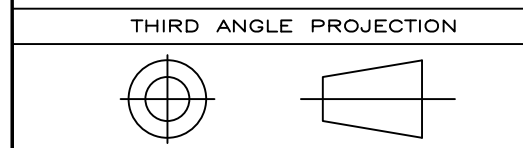
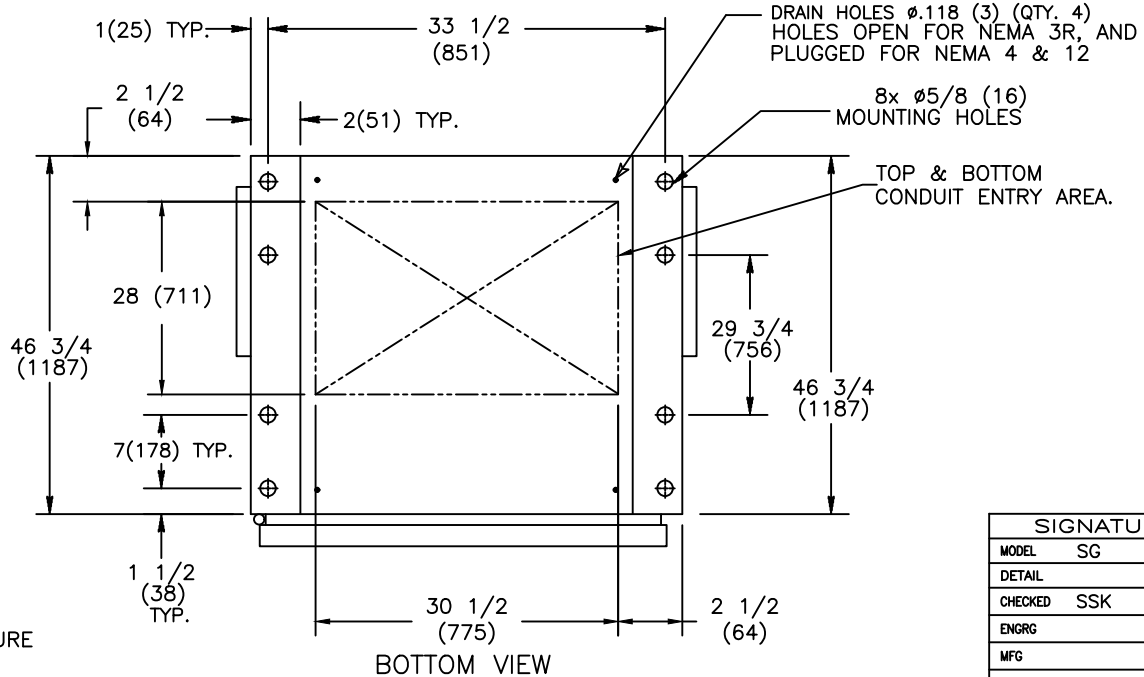
REVISIONS			
REV.	DESCRIPTION	DATE	APPROVED
1	CO76899 UPDATED REBRANDING	10/14/19	AR MAS

MODEL	AMPERAGE	NO. POLES	MX CONTROLLER TYPE	ENCLOSURE PART #	LUG RANGE	WIRE BENDING SPACE		WIRE GUTTERS		CABINET REAR Y
						P(TOP)	R(BOTTOM)	S(LEFT)	T(RIGHT)	
ZTE(D/CT)	1600-2000	3	MX-350	F-1869MP	(QTY 8) #2-600 MCM (33-304mm <sup>2</sup> )	41 1/8 (1045)	20 1/8 (511)	5 3/4 (146)	17 1/4 (438)	23 5/8 (600)
		4							5 3/4 (146)	
	3000	3		F-1870MPL					17 1/4 (438)	16 1/4 (413)
		4							5 3/4 (146)	



**IMPORTANT NOTE:**  
LUGS ARE SUPPLIED AS OPTIONAL ACCESSORY ONLY. TYPICAL CONFIGURATION SHOWN FOR REFERENCE ONLY.  
\* LUGS SHOWN FOR 1000-2000 AMPS. ON 3000 AMP SWITCH LUGS ARE ORIENTED VERTICALLY

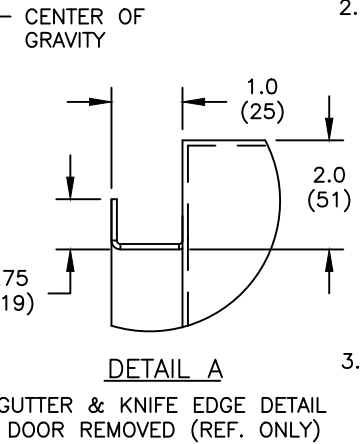
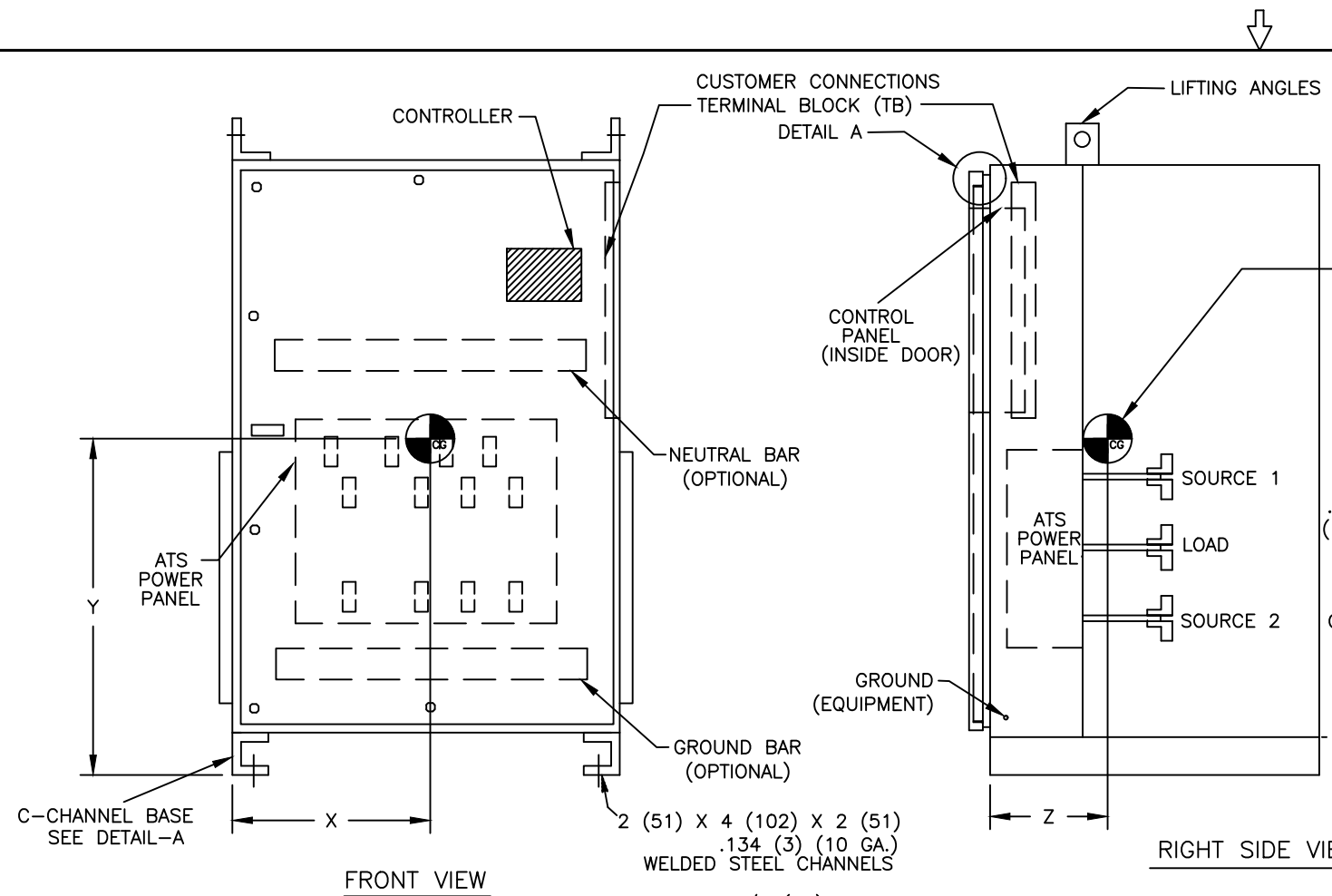
- NOTES:**
- MATERIAL: 10 GA. .134(3) 1018 HRS REF. (F-1869MP, F-1870MPL)
  - FINISH: ANSI 61 GREY
  - ALL CABLE ENTRY IN REAR OF CABINET.
  - WIRING BENDING AND GUTTER SPACES MEASURED AT POINT OF CONNECTION TO LUGS. LUGS ARE SUPPLIED AS OPTION ONLY.
  - ALL DIMENSIONS ARE FOR REFERENCE ONLY AND SHOWN IN INCHES(MILLIMETERS).
  - ALL SIDE AND REAR DOOR/PANELS SHALL HAVE GUTTER AND KNIFE EDGE FLANGES, AND HAVE HINGES ON THE RIGHT HAND SIDE.
  - CONSTRUCTION PER UL 1008
  - FOR INSTALLATION, REFER TO SHEET NO. 2
  - 3000 AMP IS NOT AVAILABLE IN NEMA 4 AND 12 ENCLOSURE



**ABB PROPRIETARY AND CONFIDENTIAL INFORMATION**  
The information contained in the document has to be kept strictly confidential. Any unauthorized use, reproduction, distribution or disclosure to third parties is strictly forbidden. ABB reserves all rights regarding intellectual Property Rights. Copyright 2018 ABB. All rights reserved.

SIGNATURES		DATE	TITLE
MODEL	SG	01/15/08	
DETAIL			
CHECKED	SSK	01/15/08	FIRST MADE FOR: ZTE(D/CT) 1600-3000 A NEMA 3R, 4 & 12 ENCLOSURES
ENGRG			
MFG			SIZE CAGE CODE DWG NO
QUALITY			
ISSUED			90C-1006
DRAWING FILE:	90c-1006.dwg		
MODEL / ASSEMBLY FILE:	ZTE(D/CT) 1600-3000 AMP		SCALE: N/A
# CTQs	⊖	CRITICAL TO QUALITY CHARACTERISTIC	
AutoCad Generated			SHEET 1 OF 2

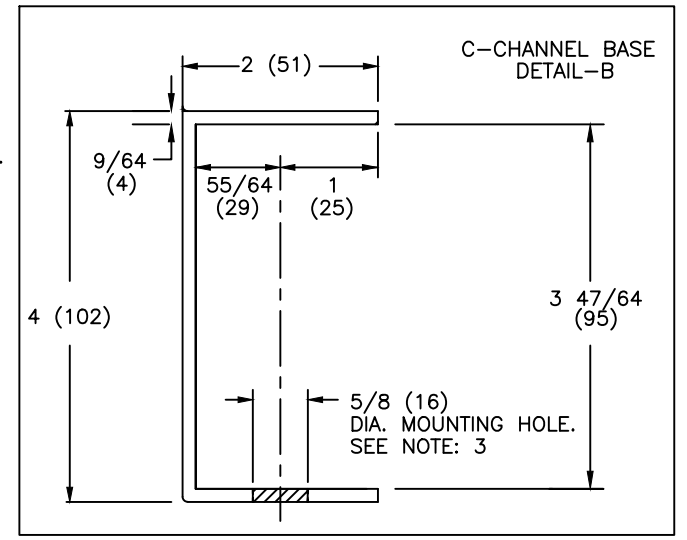
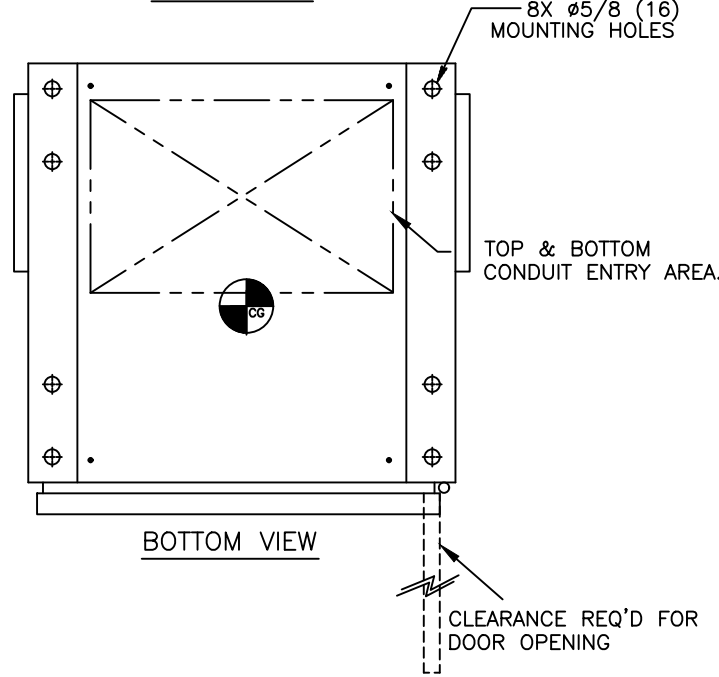




**NOTES:**

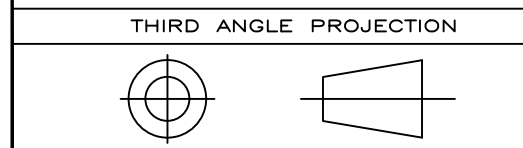
- ALL DIMENSIONS ARE FOR REFERENCE ONLY AND SHOWN IN INCHES (MILLIMETERS).
- SEISMIC DATA OF MOST VULNERABLE ATS CONSTRUCTION WITHIN ITS PLATFORM:
 

MAXIMUM DEFLECTION AT TOP OF GEAR:	dss=0.69 INCHES (18 mm) dfb=0.21 INCHES (5 mm)
QUALIFIED BY:	TIME HISTORY SHAKE TABLE TEST IEEE-693-2005-HIGHx2.5 (64 mm) IBC-2003-300%G
RESONANCE FREQUENCIES:	fss=10.9 Hz ffb=19.5 Hz fv=>33.0 Hz
MAXIMUM REACTION TO ANY BOLT:	Vss=945 LBS (430 KG) SHEAR Vfb=945 LBS (430 KG) SHEAR Tv=1872 LBS (851 KG) UP Pv=2613 LBS (1188 KG) DOWN
- BOLT ENCLOSURE FROM C-CHANNEL BASE (SEE DETAIL B) USING THE FOLLOWING SEISMIC CERTIFIED MOUNTING HARDWARE PER MOUNTING HOLE: (HARDWARE PROVIDED BY INSTALLER).
  - 1/2-13 GRADE 5 BOLT TORQUE TO 70 FT-LBS. (95 NEWTON METERS).
  - US STANDARD HIGH STRENGTH ZINC-PLATED FLAT WASHER 5/8 (16) I.D. AND 1-1/2 (38) O.D.
  - 1/2 (13) HELICAL SPRING LOCK WASHER.
- CENTER OF GRAVITY DIMENSIONS ARE FOR REFERENCE ONLY.
- SWITCH IS DESIGNED FOR BOTH TOP AND BOTTOM CABLE ENTRY. STANDARD SWITCH CONFIGURATION IS FOR TOP LUGS LOAD AND NORMAL AND BOTTOM LUGS EMERGENCY. REFER TO SHEET 1 FOR CABLE BENDING SPACE AND GUTTER SPACE DETAILS.
- SWITCH SUPPLIED WITH STANDARD MECHANICAL LUG. REFER TO SHEET 1 FOR LUG DETAILS
- ALL CONTROL WIRES (18-12 AWG) MUST BE TORQUED TO 19 in-lbs. (2 N-m)
- LUG TORQUE ARE APPLICABLE FOR CU & AL CABLES.
- FOR WORKING CLEARANCE REFER TO NATIONAL AND LOCAL CODES AND STANDARDS.
- NEMA 4 AND 12 ENCLOSURE TYPE ATS WILL COME WITH WINDOW KIT (NOT SHOWN).



SOCKET SIZE ACROSS FLATS	TIGHTENING TORQUE FOR LUGS	
	Lb-Ft	N-m
1/8	4	5.4
5/32	8	10.9
3/16	10	13.6
7/32	12	16.3
1/4	17	23.1
5/16	23	31.2
3/8	31	42.1
1/2	42	57.0
9/16	50	67.9

AMP	POLE	WEIGHT LB(kg)	CENTER OF GRAVITY in(mm)		
			X	Y	Z
1600-2000	3	1010(458)	18.0 (457)	40.0 (1016)	14.0 (356)
	4	1160(526)			
3000	3	1130(513)	19.0 (482)	42.0 (1067)	15.0 (381)
	4	1396(633)			



**ABB PROPRIETARY AND CONFIDENTIAL INFORMATION**  
 The information contained in the document has to be kept strictly confidential. Any unauthorized use, reproduction, distribution or disclosure to third parties is strictly forbidden. ABB reserves all rights regarding intellectual Property Rights. Copyright 2018 ABB. All rights reserved.

SIGNATURES		DATE	<b>ABB</b>
MODEL	SG	01/15/08	
DETAIL			
CHECKED	SSK	01/15/08	
ENGRG			
MFG			
QUALITY			TITLE
ISSUED			ZTE(D/CT) 1600-3000 AMP INSTALLATION DWG. NEMA-3R
DRAWING FILE:	90c-1006.dwg	FIRST MADE FOR:	ZTE(D/CT) 1600-3000 AMP NEMA - 3R
MODEL / ASSEMBLY FILE:	ZTE(D/CT) 1600-3000 AMP	SIZE	B
# CTQs	0	CAGE CODE	
	CRITICAL TO QUALITY CHARACTERISTIC	DWG NO	90C-1006
AutoCad Generated		SCALE:	N/A
		SHEET	2 OF 2