

2(51)x4(102)x2(51)
10 GA. .134(3) REF.
WELDED STEEL CHANNELS
3 REQUIRED ON F-1888MP, F-1889MP, F-1890MP
4 REQUIRED ON F-1891MP

NOTES:

1. MATERIAL: .134 (3) REF. (10 GA. STEEL) UNLESS OTHERWISE NOTED.
2. FINISH: PER F-7000
3. LOAD AND EMERGENCY LUG CONNECTIONS AT TOP OF BYPASS SWITCH. NORMAL LUG CONNECTIONS ON RIGHT SIDE OF MOUNTING FRAME.
4. CABLES MUST ENTER FROM TOP ONLY IN MAIN TRANSFER SWITCH CABINET. CABLES MAY ENTER FROM ANY DIRECTION IN REAR ADAPTOR BAY.
5. ALL SIDE, TOP AND REAR PANELS ON ADAPTOR BAY ARE REMOVABLE.
6. ALL DIMENSIONS ARE FOR REFERENCE ONLY AND SHOWN IN INCHES(MILLIMETERS).
7. CONSTRUCTION PER UL 1008
8. FOR INSTALLATION, REFER TO SHEET NO. 2.

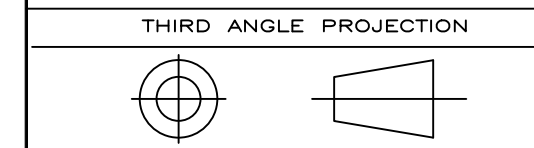
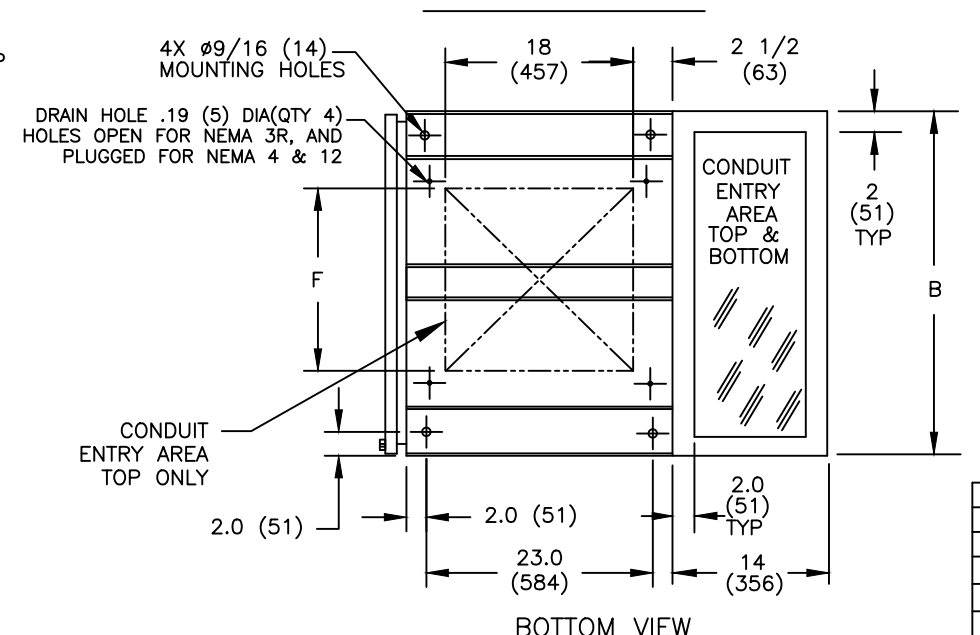


ABB PROPRIETARY AND CONFIDENTIAL INFORMATION
The information contained in the document has to be kept strictly confidential. Any unauthorized use, reproduction, distribution or disclosure to third parties is strictly forbidden. ABB reserves all rights regarding intellectual Property Rights. Copyright 2018 ABB. All rights reserved

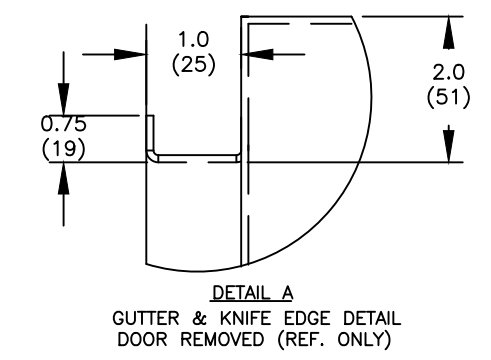
AutoCad Generated

REVISIONS			
REV.	DESCRIPTION	DATE	APPROVED
1	CO76899 UPDATED REBRANDING	10/14/19	AR MAS

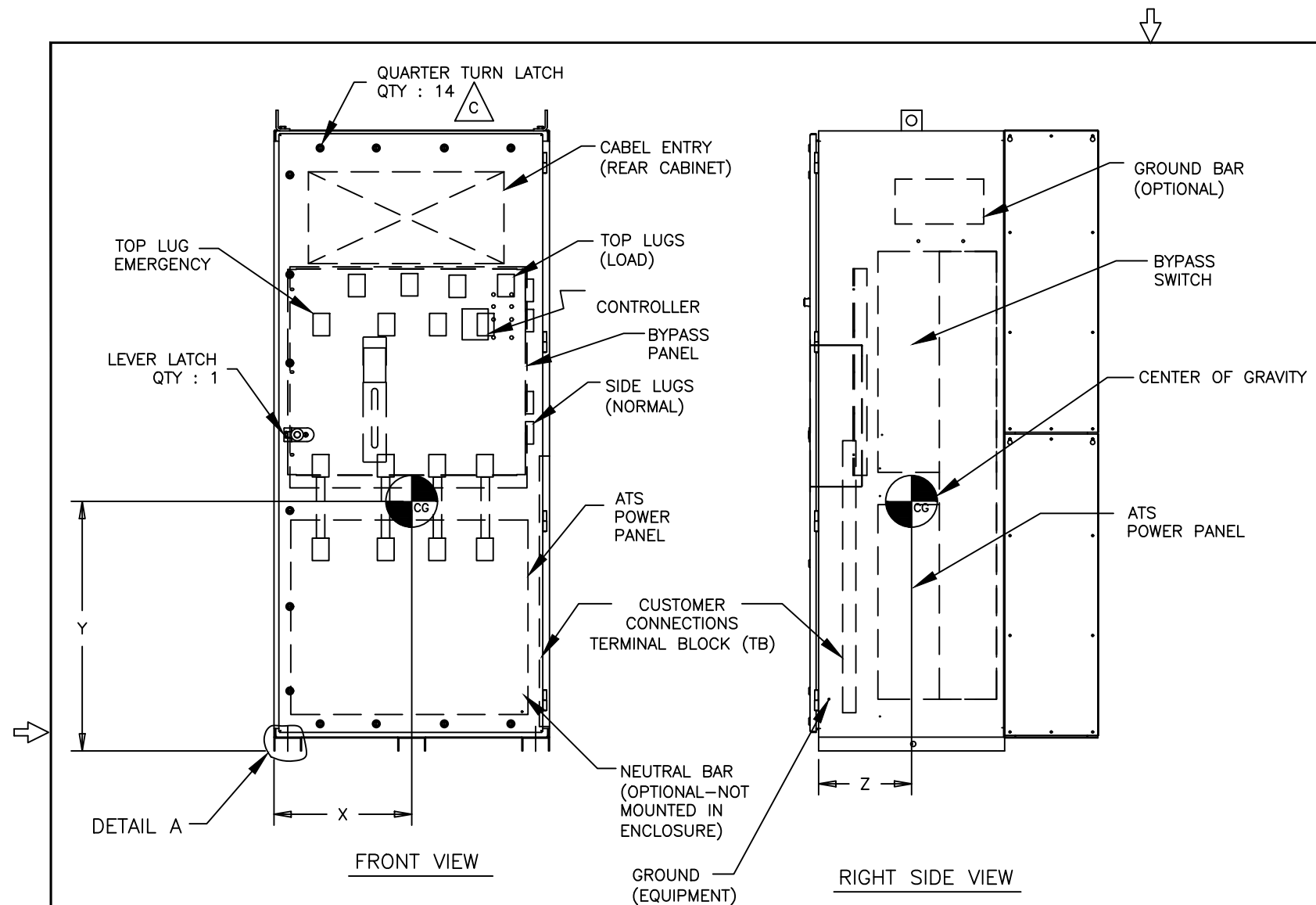
ZBTECT SWITCHES	NO. POLES	ENCLOSURE PART #	LUG RANGE	WIRE BENDING SPACE	
				P(EMERG)	R(NORMAL)
100-400 AMP	2,3	F-1888MP	(QTY 1) #4-600 MCM (33-304mm ²)	17 7/8 (454)	31 (787)
	4	F-1889MP			26 3/4 (679)

ZBTE/ZBTED/CT SWITCHES	NO. POLES	NEMA(3R) CABINET	LUG RANGE	WIRE BENDING SPACE	
				P(EMERG)	R(NORMAL)
600 AMP	2,3	F-1888MP	(QTY 2) #2-600 MCM (33-304mm ²)	17 7/8 (454)	31 (787)
	4	F-1889MP			26 3/4 (679)
800-1200 AMP	2,3	F-1890MP	(QTY 4) #2-600 MCM (33-304mm ²)	17 7/8 (454)	29 1/4 (743)
	4	F-1891MP			24 3/4 (629)

CABINET DIMENSIONS				
ENCLOSURE PART #	A	B	C	F
F-1888MP	88 (2235)	36 (914)	24 (610)	24 (609)
F-1889MP	88 (2235)	40 (1016)	28 (711)	28 (711)
F-1891MP	88 (2235)	46 (1168)	34 (864)	28 (711)
F-1890MP	88 (2235)	40 (1016)	28 (711)	34 (863)



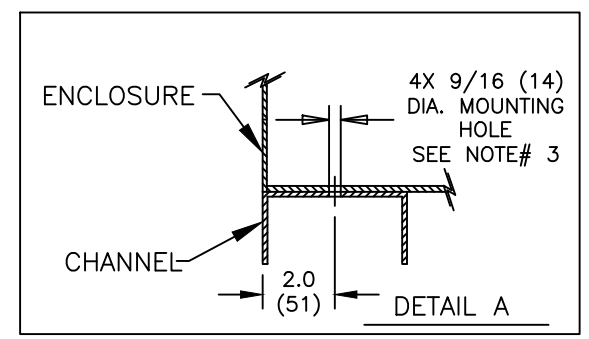
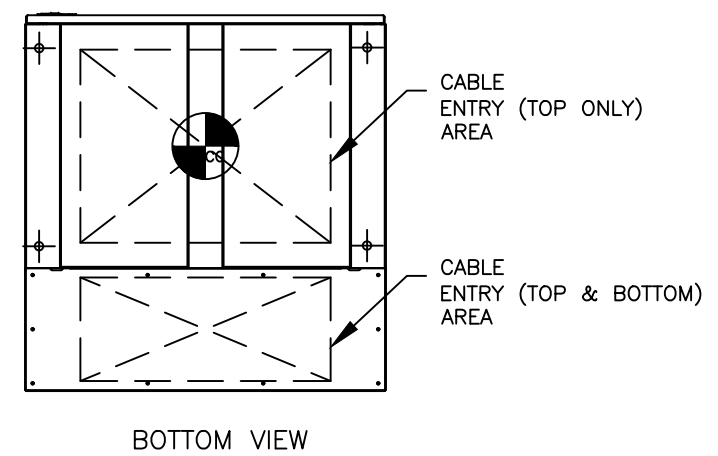
SIGNATURES		DATE	TITLE	
MODEL	EC	01/15/08	ZBTE(D) & ZBTECT	
DETAIL			DIM. DWG. NEMA 3R, 4 & 12	
CHECKED			FIRST MADE FOR: ZBTE(D)600-1200A & ZBTECT 100-1200A NEMA 3R, 4 & 12	
ENGRG			SIZE	CAGE CODE
MFG			B	DWG NO
QUALITY			90C-1008AB	
ISSUED			SCALE: N/A	
DRAWING FILE:	90c-1008ab.dwg		SHEET 1 OF 2	
MODEL / ASSEMBLY FILE:	ZBTE(D) 600-1200 AMP & ZBTECT 100-1200 AMP			
# CTQs	⊖	CRITICAL TO QUALITY CHARACTERISTIC		



NOTES:

- ALL DIMENSIONS ARE FOR REFERENCE ONLY AND SHOWN IN INCHES (MILLIMETERS).
- SEISMIC DATA OF MOST VULNERABLE ATS CONSTRUCTION WITHIN SERIES.

MAXIMUM DEFLECTION AT TOP OF GEAR: dss=1.41 INCHES (36 mm) dfb=0.67 INCHES (17 mm)	
QUALIFIED BY: TIME HISTORY SHAKE TABLE TEST IEEE-693-2005-HIGHx2.5 (64 mm) IBC-2003-300%G	
RESONANCE FREQUENCIES: fss=7.0 Hz ffb=10.2 Hz fv=>33.0 Hz	
MAXIMUM REACTION TO ANY BOLT: Vss=788 LBS (358 KG) SHEAR (DEAD LOAD +/- SEISMIC)	Vfb=788 LBS (358 KG) SHEAR Tv=3170 LBS (1441 KG) UP Pv=3787 LBS (1721 KG) DOWN
- BOLT ENCLOSURE FROM C-CHANNEL BASE (SEE DETAIL A) USING THE FOLLOWING SEISMIC CERTIFIED MOUNTING HARDWARE PER MOUNTING HOLE: (HARDWARE PROVIDED BY INSTALLER).
 - 1/2-13 GRADE 5 BOLT TORQUE TO 75 FT-LBS. (95 NEWTON METERS).
 - US STANDARD HIGH STRENGTH ZINC-PLATED FLAT WASHER 5/8 (16) I.D. AND 1-1/2 (38) O.D.
 - 1/2 (13) HELICAL SPRING LOCK WASHER.
- CENTER OF GRAVITY DIMENSIONS ARE FOR REFERENCE ONLY.
- LOAD AND EMERGENCY LUG CONNECTIONS AT TOP OF BYPASS SWITCH. NORMAL LUG CONNECTIONS ON RIGHT SIDE OF MOUNTING FRAME. CABLES MUST ENTER IN TOP ONLY IN MAINTRANSFER SWITCH CABINET. CABLES MAY ENTER FROM ANY DIRECTION IN REAR ADAPTER BAY.
- SWITCH SUPPLIED WITH STANDARD MECHANICAL LUG. REFER TO SHEET 1 FOR LUG DETAILS
- ALL CONTROL WIRES (18-12 AWG) MUST BE TORQUED TO 19 in-lbs. (2 N-m)
- LUG TORQUE ARE APPLICABLE FOR CU & AL CABLES.
- FOR WORKING CLEARANCE REFER TO NATIONAL AND LOCAL CODES AND STANDARDS.
- REMOVE THE PLUGS FROM BOTTOM OF ENCLOSURE FOR SEISMIC MOUNTING.
- NEMA 4 AND 12 ENCLOSURE TYPE ATS WILL COME WITH WINDOW KIT (NOT SHOWN)



SOCKET SIZE ACROSS FLATS	TORQUE	
	Lb-Ft	N-m
1/8	4	5.4
5/32	8	10.9
3/16	10	13.6
7/32	12	16.3
1/4	17	23.1
5/16	23	31.2
3/8	31	42.1
1/2	42	57.0
9/16	50	67.9

AMP	POLE	WEIGHT LB(kg)	CENTER OF GRAVITY in(mm)		
			X	Y	Z
600	3	1655(751)	18.0 (457)	36.0 (914)	24.0 (610)
	4	1760(798)			
800-1200	3	1705(773)	21.0 (533)	36.0 (914)	24.0 (610)
	4	1810(821)			

SIGNATURES		DATE	ABB		
MODEL EC		01/15/08			
DETAIL			TITLE		
CHECKED			ZBTE(D) & ZBTECT		
ENGRG			INST. DWG. NEMA 3R, 4 & 12		
MFG			FIRST MADE FOR: ZBTE(D) 600-1200A & ZBTECT 100-1200A NEMA 3R,4&12		
QUALITY			SIZE	CAGE CODE	DWG NO
ISSUED			B		90C-1008AB
DRAWING FILE: 90c-1008ab.dwg					
MODEL / ASSEMBLY FILE: ZBTE(D) 600-1200 AMP & ZBTECT 100-1200 AMP					
# CTQs		CRITICAL TO QUALITY CHARACTERISTIC	SCALE: N/A		SHEET 2 OF 2

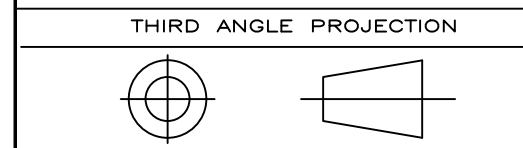


ABB PROPRIETARY AND CONFIDENTIAL INFORMATION
 The information contained in the document has to be kept strictly confidential. Any unauthorized use, reproduction, distribution or disclosure to third parties is strictly forbidden. ABB reserves all rights regarding intellectual Property Rights. Copyright 2018 ABB. All rights reserved

AutoCad Generated