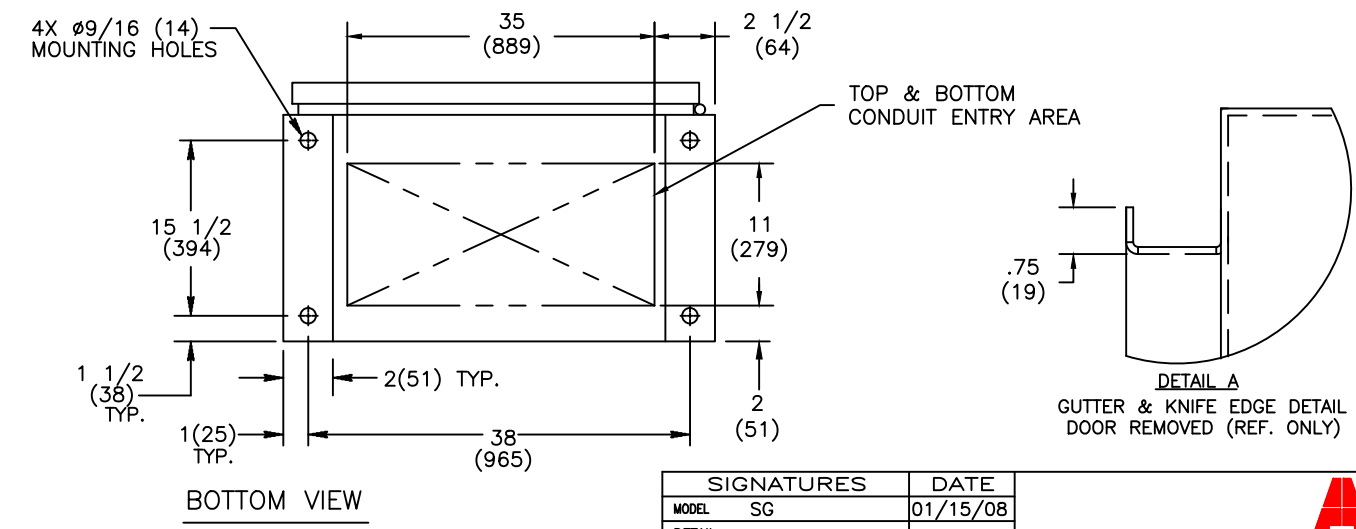
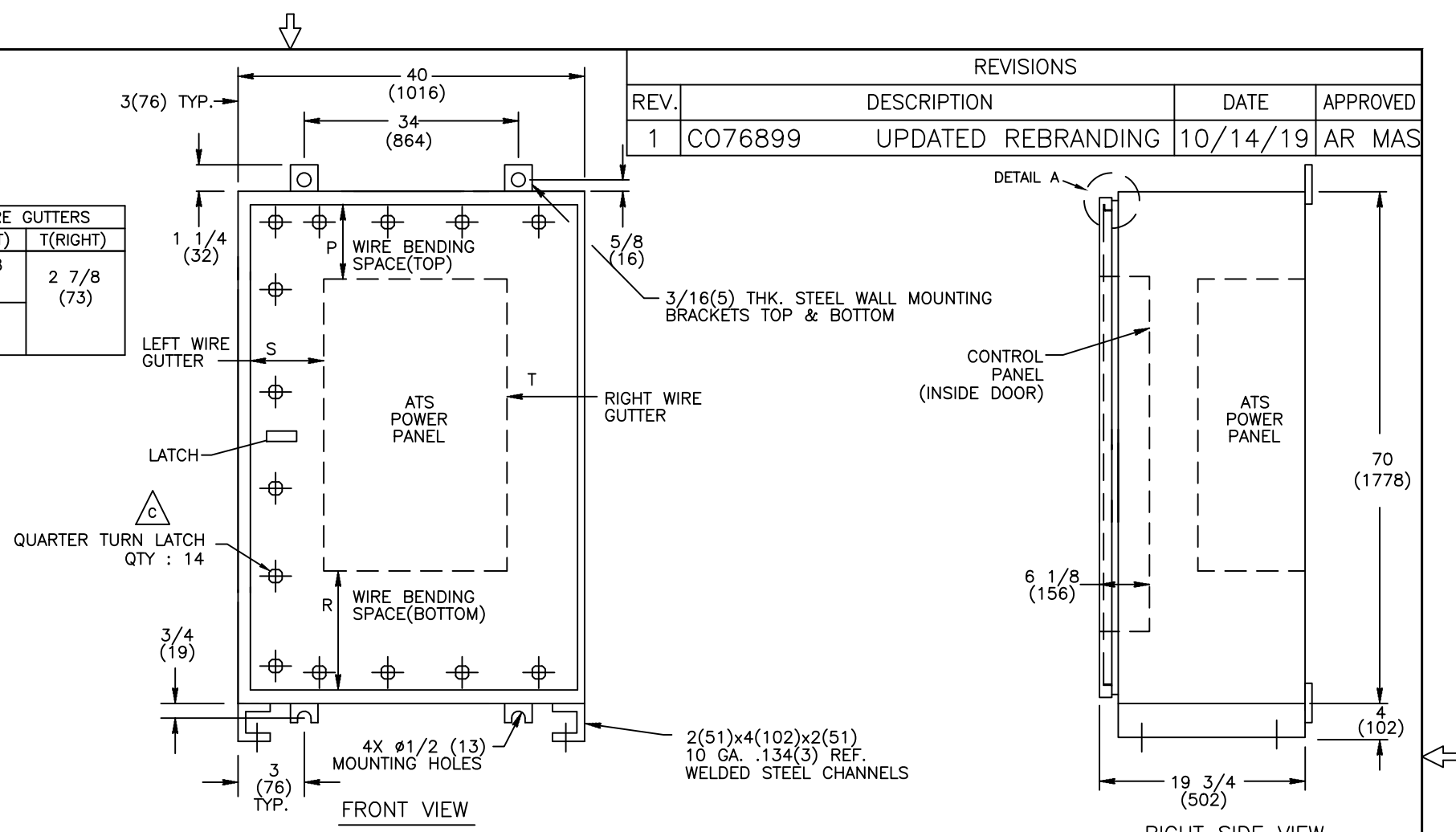
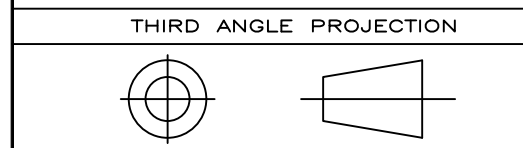


MODEL	CONTROLLER TYPE	NO. POLES	ENCLOSURE PART #	LUG RANGE	WIRE BENDING SPACE		WIRE GUTTERS	
					P(TOP)	R(BOTTOM)	S(LEFT)	T(RIGHT)
ZTE(D/CT) 1000-1200AMP	MX-350	2,3	F-1868MPX	(QTY 4) #2-600 MCM (33-304mm <sup>2</sup> )	18 3/4 (476)	18 1/2 (470)	15 3/8 (391)	2 7/8 (73)
		4					9 (229)	

REVISIONS			
REV.	DESCRIPTION	DATE	APPROVED
1	CO76899 UPDATED REBRANDING	10/14/19	AR MAS



- NOTES:**
1. MATERIAL: 12 GA. .104(3) REF. 304 STAINLESS STEEL
  2. FINISH: NONE
  3. ALL DIMENSIONS ARE FOR REFERENCE ONLY AND SHOWN IN INCHES(MILLIMETERS).
  4. CONSTRUCTION PER UL 1008
  5. FOR INSTALLATION, REFER TO SHEET NO. 2.



**ABB PROPRIETARY AND CONFIDENTIAL INFORMATION**  
 The information contained in the document has to be kept strictly confidential.  
 Any unauthorized use, reproduction, distribution or disclosure to third parties is strictly forbidden.  
 ABB reserves all rights regarding intellectual Property Rights.  
 Copyright 2018 ABB. All rights reserved

AutoCad Generated

SIGNATURES		DATE
MODEL	SG	01/15/08
DETAIL		
CHECKED		
ENGRG		
MFG		
QUALITY		
ISSUED		
DRAWING FILE: 90c-1009.dwg		
MODEL / ASSEMBLY FILE: ZTE(D/CT) 1000-1200 AMP		
# CTQs	⊖	CRITICAL TO QUALITY CHARACTERISTIC

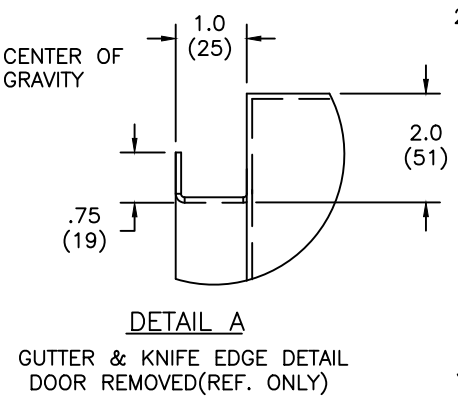
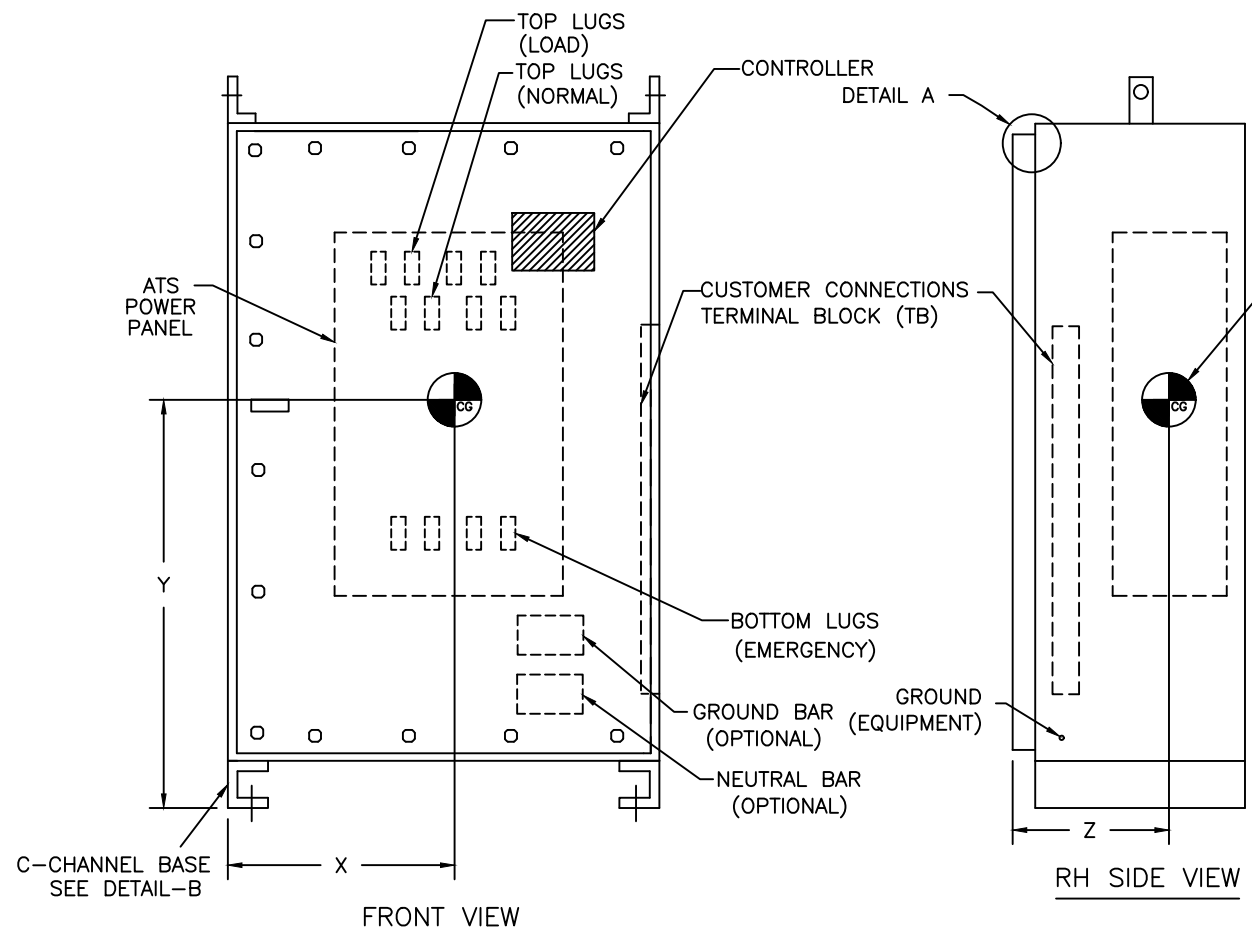
**ABB**

TITLE  
**ZTE(D/CT) 1000-1200 AMP  
 DIM. DWG. NEMA 4X**

FIRST MADE FOR: ZTE(D/CT) 1000-1200 AMP NEMA 4X ENCLOSURE

SIZE	CAGE CODE	DWG NO
B		90C-1009

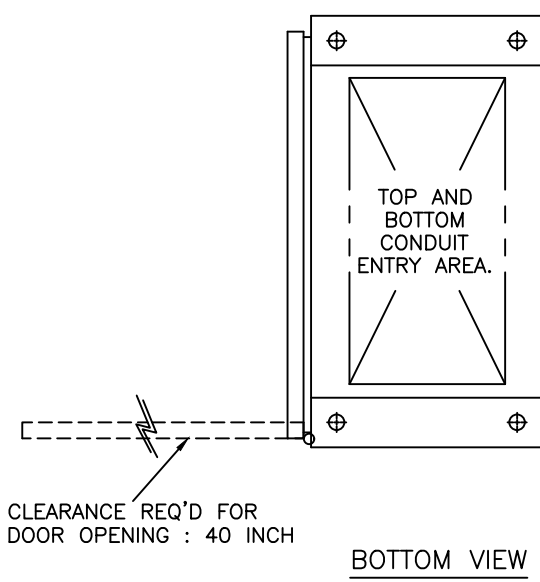
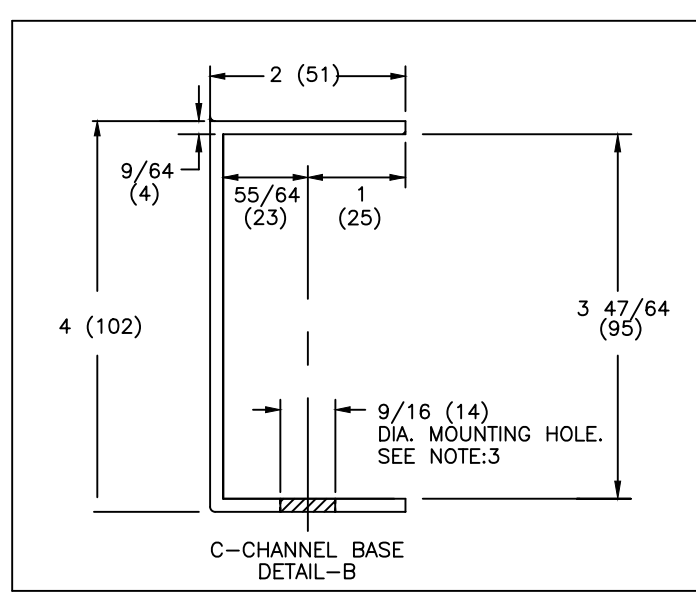
SCALE: N/A SHEET 1 OF 2



**NOTES:**

- ALL DIMENSIONS ARE FOR REFERENCE ONLY AND SHOWN IN INCHES (MILLIMETERS).
- SEISMIC DATA OF MOST VULNERABLE ATS CONSTRUCTION WITHIN ITS PLATFORM:
 

MAXIMUM DEFLECTION AT TOP OF GEAR:	dss=0.69 INCHES (18 mm) dfb=0.21 INCHES (5 mm)
QUALIFIED BY:	TIME HISTORY SHAKE TABLE TEST IEEE-693-2005-HIGHx2.5 (64 mm) IBC-2003-300%G
RESONANCE FREQUENCIES:	fss=10.9 Hz ffb=19.5 Hz fv>33.0 Hz
MAXIMUM REACTION TO ANY BOLT:	Vss=945 LBS (430 KG) SHEAR (DEAD LOAD +/- SEISMIC) Vfb=945 LBS (430 KG) SHEAR Tv=1872 LBS (851 KG) UP Pv=2613 LBS (1188 KG) DOWN
- BOLT ENCLOSURE FROM C-CHANNEL BASE (SEE DETAIL B) USING THE FOLLOWING SEISMIC CERTIFIED MOUNTING HARDWARE PER MOUNTING HOLE: (HARDWARE PROVIDED BY INSTALLER).
  - 1/2-13 GRADE 5 BOLT TORQUE TO 70 FT-LBS. (95 NEWTON METERS).
  - US STANDARD HIGH STRENGTH ZINC-PLATED FLAT WASHER 5/8 (16) I.D. AND 1-1/2 (38) O.D.
  - 1/2 (13) HELICAL SPRING LOCK WASHER.
- CENTER OF GRAVITY DIMENSIONS ARE FOR REFERENCE ONLY.
- SWITCH IS DESIGNED FOR BOTH TOP AND BOTTOM CABLE ENTRY. STANDARD SWITCH CONFIGURATION IS FOR TOP LUGS LOAD AND NORMAL AND BOTTOM LUGS EMERGENCY. REFER TO SHEET 1 FOR CABLE BENDING SPACE AND GUTTER SPACE DETAILS.
- SWITCH SUPPLIED WITH STANDARD MECHANICAL LUG. REFER TO SHEET 1 FOR LUG DETAILS.
- ALL CONTROL WIRES (18-12 AWG) MUST BE TORQUED TO 19 in-lbs. (2 N-m)
- LUG TORQUE ARE APPLICABLE FOR CU & AL CABLES.
- FOR WORKING CLEARANCE REFER TO NATIONAL AND LOCAL CODES AND STANDARDS.
- THIS SWITCH COMES WITH WINDOW KIT (NOT SHOWN).



SOCKET SIZE ACROSS FLATS	TORQUE	
	Lb-Ft	N-m
1/8	4	5.4
5/32	8	10.9
3/16	10	13.6
7/32	12	16.3
1/4	17	23.1
5/16	23	31.2
3/8	31	42.1
1/2	42	57.0
9/16	50	67.9

AMP	POLE	WEIGHT LB(kg)	CENTER OF GRAVITY in(mm)		
			X	Y	Z
1000-1200	2,3	460(209)	22.0	35.0	12.0
	4	490(223)	(559)	(889)	(305)

SIGNATURES		DATE	<b>ABB</b>		
MODEL	SG	01/15/08			
DETAIL			TITLE		
CHECKED			ZTE(D/CT) 1000-1200 AMP INSTALLATION DWG.		
ENGRG			FIRST MADE FOR: ZTE(D/CT) 1000-1200 AMP NEMA 4X ENCLOSURE		
MFG			SIZE	CAGE CODE	DWG NO
QUALITY			B		90C-1009
ISSUED			SCALE: NA		
DRAWING FILE:	90c-1009.dwg		SHEET 2 OF 2		
MODEL / ASSEMBLY FILE:	ZTE(D/CT) 1000-1200 AMP				
# CTQs	⊖	CRITICAL TO QUALITY CHARACTERISTIC			

THIRD ANGLE PROJECTION

**ABB PROPRIETARY AND CONFIDENTIAL INFORMATION**  
 The information contained in the document has to be kept strictly confidential. Any unauthorized use, reproduction, distribution or disclosure to third parties is strictly forbidden. ABB reserves all rights regarding intellectual Property Rights. Copyright 2018 ABB. All rights reserved.

AutoCad Generated