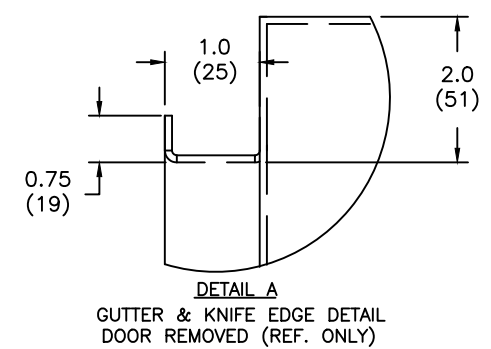


REVISIONS			
REV.	DESCRIPTION	DATE	APPROVED
1	C076899 UPDATED REBRANDING	10/14/19	AR MAS

MODEL	CONTROLLER TYPE	NO. POLES	ENCLOSURE PART #	LUG RANGE	WIRE BENDING SPACE		WIRE GUTTERS		CABINET REAR
					P(TOP)	R(BOTTOM)	S(LEFT)	T(RIGHT)	Y
ZTE(D/CT) 1600-2000 AMP	MX-350	3	F-1869MPX	(QTY 8) #2-600 MCM (33-304mm ²)	41 1/8 (1045)	20 1/8 (511)	5 3/4 (146)	17 1/4 (438)	23 5/8 (600)
		4					5 3/4 (146)		



NOTES:

1. MATERIAL: 10 GA. .134(3) 304 STAINLESS STEEL.
2. FINISH: NONE
3. ALL CABLE ENTRY IN REAR OF CABINET.
4. WIRING BENDING AND GUTTER SPACES MEASURED AT POINT OF CONNECTION TO LUGS. LUGS ARE SUPPLIED AS OPTION ONLY.
5. ALL DIMENSIONS ARE FOR REFERENCE ONLY AND SHOWN IN INCHES(MILLIMETERS).
6. ALL SIDE AND REAR DOOR/PANELS SHALL HAVE GUTTER AND KNIFE EDGE FLANGES, AND HAVE HINGES ON THE RIGHT HAND SIDE.
7. CONSTRUCTION PER UL 1008
8. FOR INSTALLATION, REFER TO SHEET NO. 2.

IMPORTANT NOTE:
LUGS ARE SUPPLIED AS OPTIONAL ACCESSORY ONLY. TYPICAL CONFIGURATION SHOWN FOR REFERENCE ONLY.

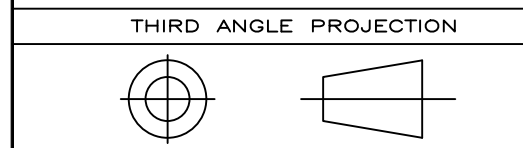
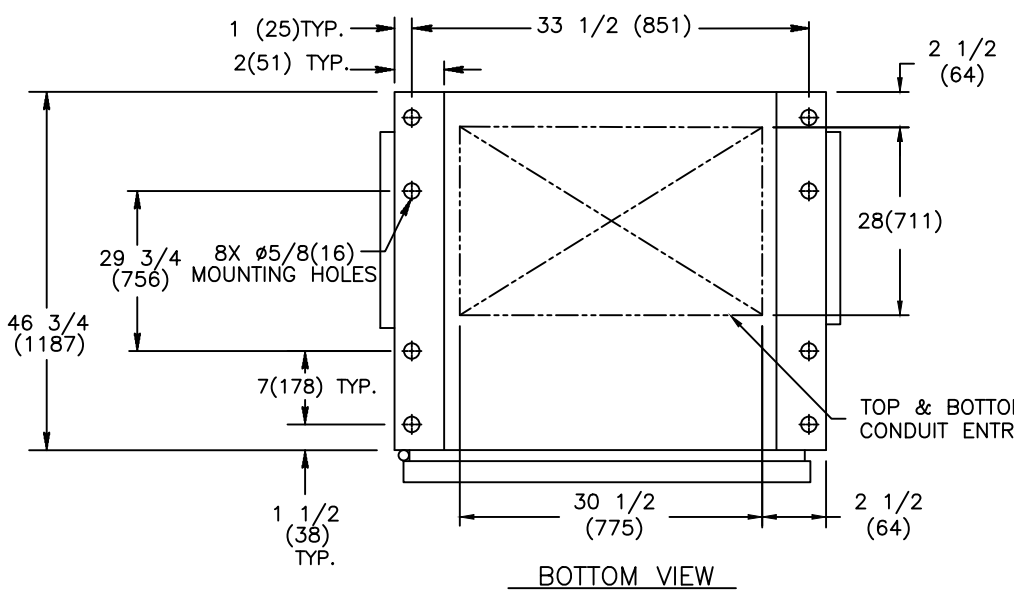
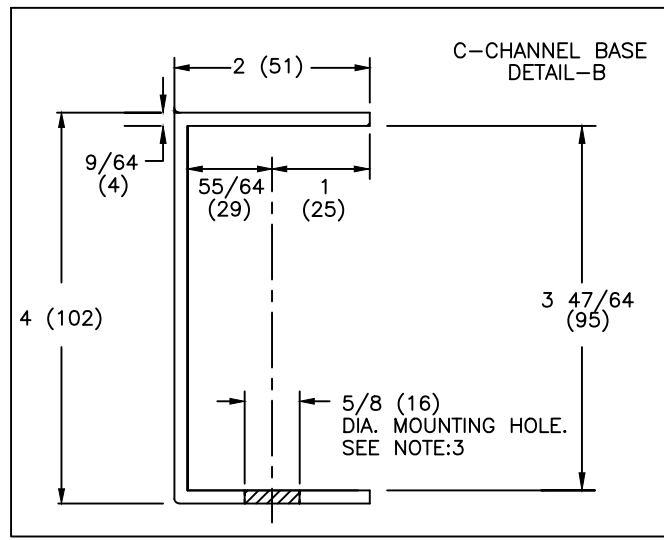
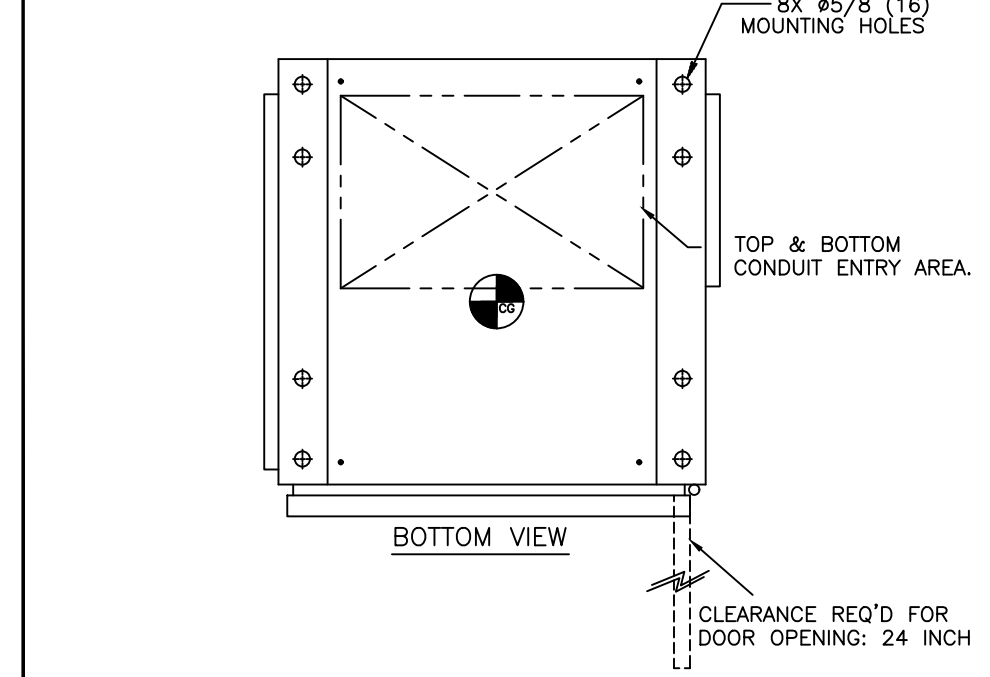
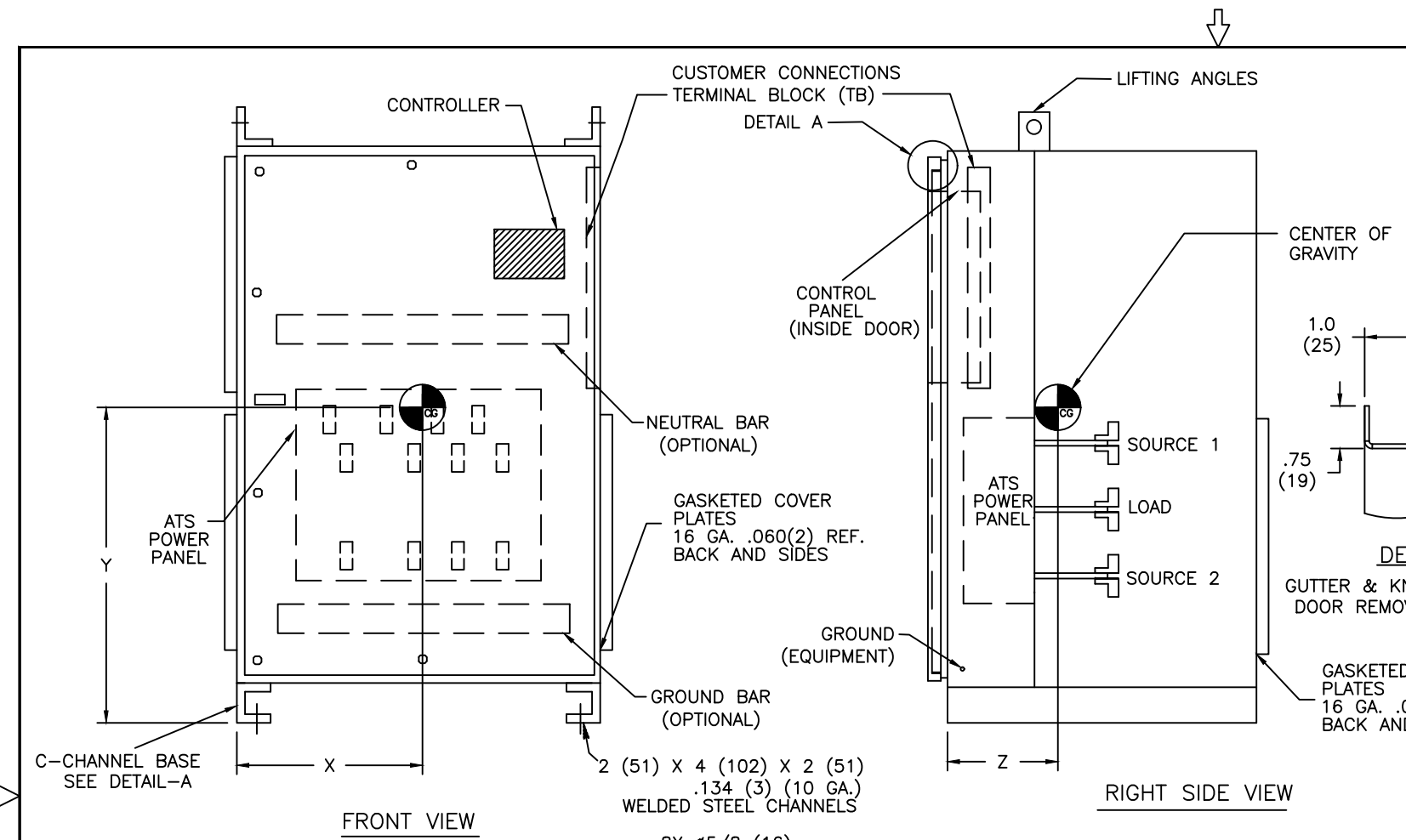


ABB PROPRIETARY AND CONFIDENTIAL INFORMATION
The information contained in the document has to be kept strictly confidential. Any unauthorized use, reproduction, distribution or disclosure to third parties is strictly forbidden. ABB reserves all rights regarding intellectual Property Rights. Copyright 2018 ABB. All rights reserved.

SIGNATURES		DATE	TITLE
MODEL	SG	01/15/08	
DETAIL			
CHECKED	SSK	01/15/08	
ENGRG			
MFG			
QUALITY			
ISSUED			FIRST MADE FOR: ZTE(D/CT) 1600-2000 AMP NEMA 4X ENCLOSURE
DRAWING FILE:	90c-1010.dwg	SIZE	CAGE CODE
MODEL / ASSEMBLY FILE:	ZTE(D/CT) 1600-2000 AMP	B	DWG NO
# CTOs	⊖ CRITICAL TO QUALITY CHARACTERISTIC	SCALE:	N/A
			SHEET 1 OF 2

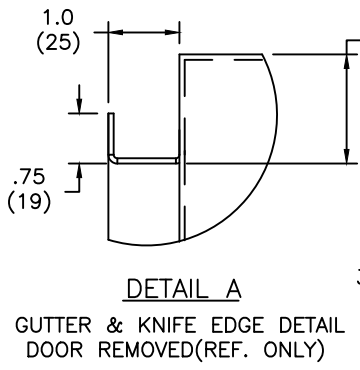
AutoCad Generated



NOTES:

- ALL DIMENSIONS ARE FOR REFERENCE ONLY AND SHOWN IN INCHES (MILLIMETERS).
- SEISMIC DATA OF MOST VULNERABLE ATS CONSTRUCTION WITHIN ITS PLATFORM:

MAXIMUM DEFLECTION AT TOP OF GEAR:	dss=0.69 INCHES (18 mm) dfb=0.21 INCHES (5 mm)
QUALIFIED BY:	TIME HISTORY SHAKE TABLE TEST IEEE-693-2005-HIGHx2.5 (64 mm) IBC-2003-300%G
RESONANCE FREQUENCIES:	fss=10.9 Hz ffb=19.5 Hz fv=>33.0 Hz
MAXIMUM REACTION TO ANY BOLT:	Vss=945 LBS (430 KG) SHEAR Vfb=945 LBS (430 KG) SHEAR Tv=1872 LBS (851 KG) UP Pv=2613 LBS (1188 KG) DOWN
- BOLT ENCLOSURE FROM C-CHANNEL BASE (SEE DETAIL B) USING THE FOLLOWING SEISMIC CERTIFIED MOUNTING HARDWARE PER MOUNTING HOLE: (HARDWARE PROVIDED BY INSTALLER).
 - 1/2-13 GRADE 5 BOLT TORQUE TO 70 FT-LBS. (95 NEWTON METERS).
 - US STANDARD HIGH STRENGTH ZINC-PLATED FLAT WASHER 5/8 (16) I.D. AND 1-1/2 (38) O.D.
 - 1/2 (13) HELICAL SPRING LOCK WASHER.
- CENTER OF GRAVITY DIMENSIONS ARE FOR REFERENCE ONLY.
- SWITCH IS DESIGNED FOR BOTH TOP AND BOTTOM CABLE ENTRY. STANDARD SWITCH CONFIGURATION IS FOR TOP LUGS LOAD AND NORMAL AND BOTTOM LUGS EMERGENCY. REFER TO SHEET 1 FOR CABLE BENDING SPACE AND GUTTER SPACE DETAILS.
- SWITCH SUPPLIED WITH STANDARD MECHANICAL LUG. REFER TO SHEET 1 FOR LUG DETAILS
- ALL CONTROL WIRES (18-12 AWG) MUST BE TORQUED TO 19 in-lbs. (2 N-m)
- LUG TORQUE ARE APPLICABLE FOR CU & AL CABLES.
- FOR WORKING CLEARANCE REFER TO NATIONAL AND LOCAL CODES AND STANDARDS.
- THIS SWITCH COMES WITH WINDOW KIT (NOT SHOWN).



SOCKET SIZE ACROSS FLATS	TORQUE	
	Lb-Ft	N-m
1/8	4	5.4
5/32	8	10.9
3/16	10	13.6
7/32	12	16.3
1/4	17	23.1
5/16	23	31.2
3/8	31	42.1
1/2	42	57.0
9/16	50	67.9

AMP	POLE	WEIGHT	CENTER OF GRAVITY in(mm)		
		LB(kg)	X	Y	Z
1000-1200	2,3	1010(458)	18.0	40.0	14.0
	4	1160(526)	(457)	(1016)	(356)

SIGNATURES		DATE
MODEL	SG	01/15/08
DETAIL		
CHECKED	SSK	01/15/08
ENGRG		
MFG		
QUALITY		
ISSUED		
DRAWING FILE:	90c-1010.dwg	
MODEL / ASSEMBLY FILE:	ZTE(D/CT) 1600-2000 AMP	
# CTQs	⊖	CRITICAL TO QUALITY CHARACTERISTIC

ABB

TITLE
**ZTE(D/CT) 1600-2000 AMP
INSTALLATION DWG. NEMA 4X**

FIRST MADE FOR: ZTE(D/CT) 1600-2000 AMP - NEMA-4X
CAGE CODE DWG NO

B 90C-1010

SCALE: N/A SHEET 2 OF 2

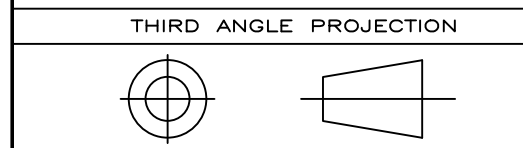


ABB PROPRIETARY AND CONFIDENTIAL INFORMATION
The information contained in the document has to be kept strictly confidential. Any unauthorized use, reproduction, distribution or disclosure to third parties is strictly forbidden. ABB reserves all rights regarding intellectual Property Rights. Copyright 2018 ABB. All rights reserved.

AutoCad Generated