

REVISIONS			
REV.	DESCRIPTION	DATE	APPROVED
1	CO76899 UPDATED REBRANDING	10/14/19	AR MAS

ZBTECT SWITCHES	CONTROLLER TYPE	NO. POLES	ENCLOSURE PART #	LUG RANGE	WIRE BENDING SPACE	
					P(EMERG)	R(NORMAL)
100-400 AMP	MX-350	2,3	F-1884MPX	(QTY 1) #4-600 MCM (33-304mm ²)	17 7/8 (454)	31 (787)
		4	F-1885MPX			26 3/4 (679)

ZBTE(D/CT) SWITCHES	CONTROLLER TYPE	NO. POLES	ENCLOSURE PART #	LUG RANGE	WIRE BENDING SPACE	
					P(EMERG)	R(NORMAL)
600 AMP	MX-350	2,3	F-1884MPX	(QTY 2) #2-600 MCM (33-304mm ²)	17 7/8 (454)	31 (787)
		4	F-1885MPX			26 3/4 (679)
800-1200 AMP	MX-350	2,3	F-1886MPX	(QTY 4) #2-600 MCM (33-304mm ²)	17 7/8 (454)	29 1/4 (743)
		4	F-1887MPX			24 3/4 (629)

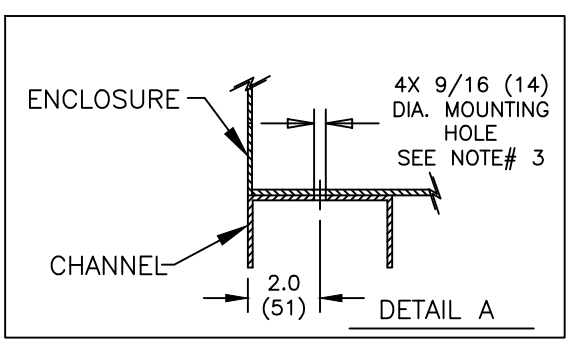
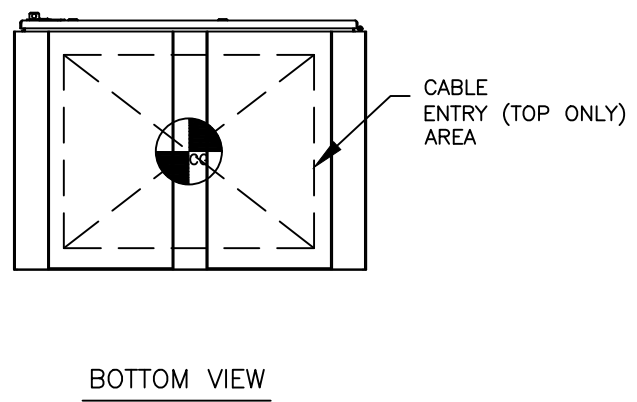
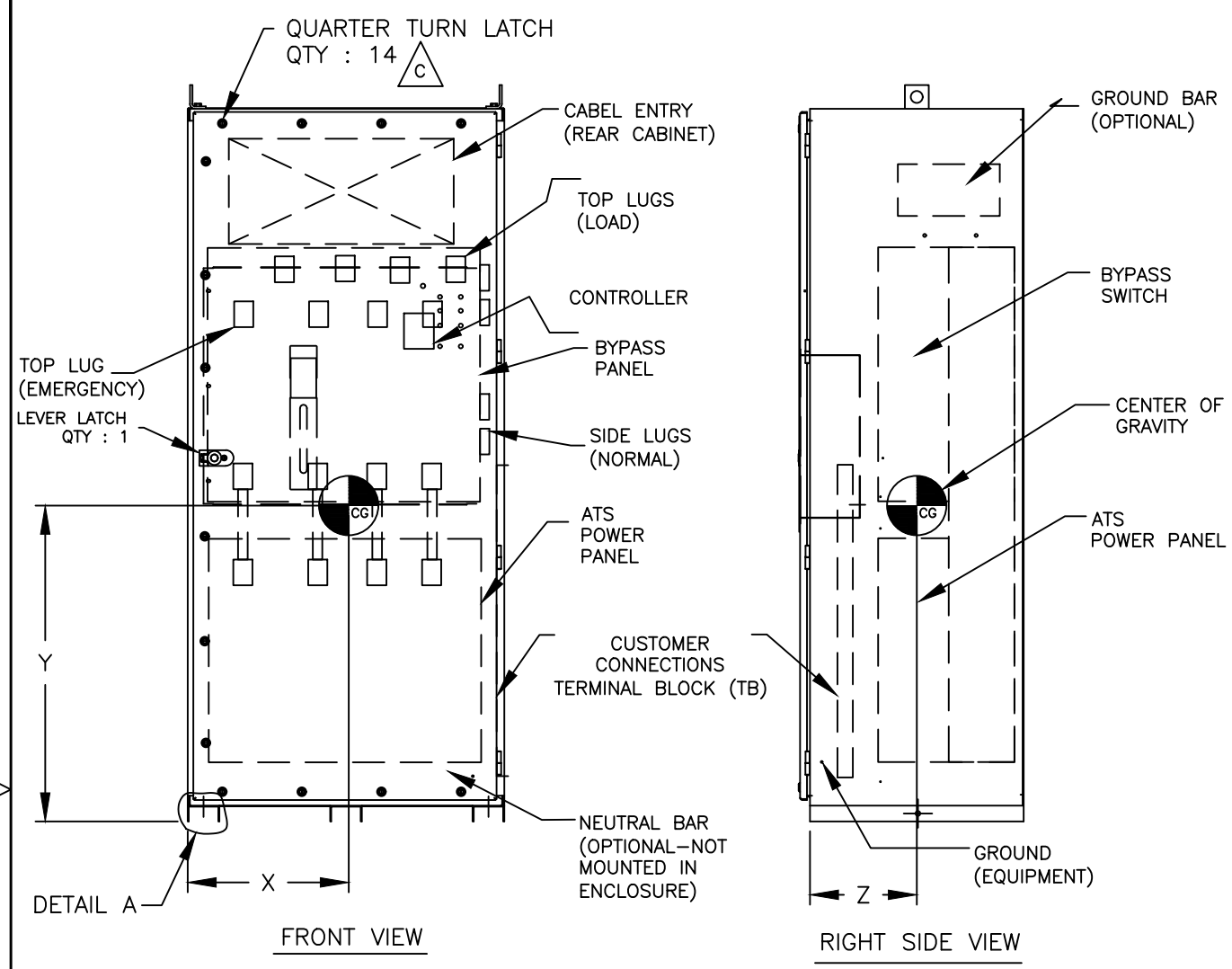
CABINET DIMENSIONS				
ENCLOSURE PART#	A	B	C	F
F-1884MPX	88 (2235)	36 (914)	28 1/4 (718)	24 (609)
F-1885MPX	88 (2235)	40 (1016)	28 1/4 (718)	28 (711)
F-1887MPX	88 (2235)	46 (1168)	28 1/4 (718)	28 (711)
F-1886MPX	88 (2235)	40 (1016)	28 1/4 (718)	34 (863)

- NOTES:**
- MATERIAL: 10 GA. STEEL .134(3) REF. UNLESS OTHERWISE NOTED.
 - FINISH: PER F-7000.
 - LOAD AND EMERGENCY LUG CONNECTIONS AT TOP OF BYPASS SWITCH. NORMAL LUG CONNECTIONS ON RIGHT SIDE OF MOUNTING FRAME.
 - ALL CABLES MUST ENTER IN TOP WIRING AREA OF CABINET ABOVE BYPASS SWITCH. NO CABLE ENTRY ALLOWED IN BOTTOM OF CABINET.
 - ADDITIONAL REAR BAY AVAILABLE FOR BOTTOM CABLE ENTRY. CONSULT FACTORY.
 - ALL DIMENSIONS ARE FOR REFERENCE ONLY AND SHOWN IN INCHES(MILLIMETERS).
 - CONSTRUCTION PER UL 1008
 - FOR INSTALLATION, REFER TO SHEET NO. 2.

SIGNATURES		DATE	ZBTE(D) & ZBTECT DIM. DWG. NEMA 4X
MODEL	SG	01/15/08	
DETAIL			
CHECKED			
ENGRG			
MFG			
QUALITY			TITLE
ISSUED			FIRST MADE FOR: ZBTE(D) 600-1200A & ZBTECT 100-1200A NEMA-4X ENCL.
DRAWING FILE:	90c-1012.dwg	SIZE	CAGE CODE
MODEL / ASSEMBLY FILE:	ZBTE(D) 600-1200 AMP & ZBTECT 100-1200 AMP	B	DWG NO
# CTQs	⊖ CRITICAL TO QUALITY CHARACTERISTIC	SCALE: N/A	90C-1012
AutoCad Generated			SHEET 1 OF 2

THIRD ANGLE PROJECTION

ABB PROPRIETARY AND CONFIDENTIAL INFORMATION
The information contained in the document has to be kept strictly confidential. Any unauthorized use, reproduction, distribution or disclosure to third parties is strictly forbidden. ABB reserves all rights regarding intellectual Property Rights. Copyright 2018 ABB. All rights reserved.



NOTES:

- ALL DIMENSIONS ARE FOR REFERENCE ONLY AND SHOWN IN INCHES (MILLIMETERS).
- SEISMIC DATA OF MOST VULNERABLE ATS CONSTRUCTION WITHIN ITS PLATFORM:

MAXIMUM DEFLECTION AT TOP OF GEAR: $d_{ss}=1.41$ INCHES (36 mm) $d_{fb}=0.67$ INCHES (17 mm)
QUALIFIED BY: TIME HISTORY SHAKE TABLE TEST IEEE-693-2005-HIGHx2.5 (64 mm) IBC-2003-300%G
RESONANCE FREQUENCIES: $f_{ss}=7.0$ Hz $f_{fb}=10.2$ Hz $f_v > 33.0$ Hz
MAXIMUM REACTION TO ANY BOLT: $V_{ss}=788$ LBS (358 KG) SHEAR $V_{fb}=788$ LBS (358 KG) SHEAR $T_v=3170$ LBS (1441 KG) UP $P_v=3787$ LBS (1721 KG) DOWN
- BOLT ENCLOSURE FROM C-CHANNEL BASE (SEE DETAIL A) USING THE FOLLOWING SEISMIC CERTIFIED MOUNTING HARDWARE PER MOUNTING HOLE: (HARDWARE PROVIDED BY INSTALLER).
 - 1/2-13 GRADE 5 BOLT TORQUE TO 75 FT-LBS. (101 NEWTON METERS).
 - US STANDARD HIGH STRENGTH ZINC-PLATED FLAT WASHER 5/8 (16) I.D. AND 1-1/2 (38) O.D.
 - 1/2 (13) HELICAL SPRING LOCK WASHER.
- CENTER OF GRAVITY DIMENSIONS ARE FOR REFERENCE ONLY.
- LOAD AND EMERGENCY LUG CONNECTIONS AT TOP OF BYPASS SWITCH. NORMAL LUG CONNECTIONS ON RIGHT SIDE OF MOUNTING FRAME. ALL CABLES MUST ENTER IN TOP WIRING AREA OF CABINET ABOVE BYPASS SWITCH. NO CABLE ENTRY ALLOWED IN BOTTOM OF CABINET.
- SWITCH SUPPLIED WITH STANDARD MECHANICAL LUG. REFER TO SHEET 1 FOR LUG DETAILS
- ALL CONTROL WIRES (18-12 AWG) MUST BE TORQUED TO 19 in-lbs. (2 N-m)
- LUG TORQUE ARE APPLICABLE FOR CU & AL CABLES.
- FOR WORKING CLEARANCE REFER TO NATIONAL AND LOCAL CODES AND STANDARDS.
- REMOVE THE PLUGS FROM BOTTOM OF ENCLOSURE FOR SEISMIC MOUNTING.
- THIS SWITCH COMES WITH WINDOW KIT (NOT SHOWN).

SOCKET SIZE ACROSS FLATS	TORQUE	
	Lb-Ft	N-m
1/8	4	5.4
5/32	8	10.9
3/16	10	13.6
7/32	12	16.3
1/4	17	23.1
5/16	23	31.2
3/8	31	42.1
1/2	42	57.0
9/16	50	67.9

AMP	POLE	WEIGHT LB(kg)	CENTER OF GRAVITY in(mm)		
			X	Y	Z
600	3	1455(660)	18.0 (457)	36.0 (914)	18.0 (457)
	4	1560(708)			
800-1200	3	1505(683)	21.0 (533)	36.0 (914)	18.0 (457)
	4	1610(730)			



TITLE
**ZBTE(D) & ZBTECT
INSTALLATION DRAWING NEMA-4X**

FIRST MADE FOR: ZBTE(D) 600-1200 AMP & ZBTECT 100-1200 AMP
 SIZE: B CAGE CODE: DWG NO: 90C-1012

SCALE: N/A SHEET 2 OF 2

THIRD ANGLE PROJECTION

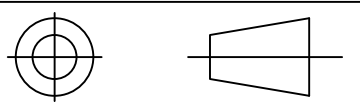


ABB PROPRIETARY AND CONFIDENTIAL INFORMATION
 The information contained in the document has to be kept strictly confidential.
 Any unauthorized use, reproduction, distribution or disclosure to third parties is strictly forbidden.
 ABB reserves all rights regarding intellectual Property Rights.
 Copyright 2018 ABB. All rights reserved

AutoCad Generated

CTQs CRITICAL TO QUALITY CHARACTERISTIC

