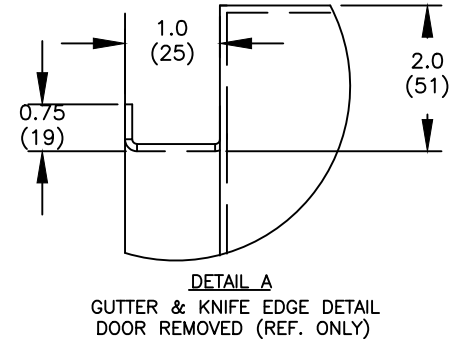


REVISIONS			
REV.	DESCRIPTION	DATE	APPROVED
1	CO76899 UPDATED REBRANDING	10/14/19	AR MAS

ZBTECT SWITCHES	NO. POLES	ENCLOSURE PART #	LUG RANGE	WIRE BENDING SPACE	
				P(EMERG)	R(NORMAL)
100-400 AMP	2,3	F-1888MPX	(QTY 1) #4-600 MCM (33-304mm ²)	17 7/8 (454)	31 (787)
	4	F-1889MPX		26 3/4 (679)	

ZBTE/ZBTED/CT SWITCHES	NO. POLES	ENCLOSURE PART #	LUG RANGE	WIRE BENDING SPACE	
				P(EMERG)	R(NORMAL)
600 AMP	2,3	F-1888MPX	(QTY 2) #2-600 MCM (33-304mm ²)	17 7/8 (454)	31 (787)
	4	F-1889MPX		26 3/4 (679)	
800-1200 AMP	2,3	F-1890MPX	(QTY 4) #2-600 MCM (33-304mm ²)	17 7/8 (454)	29 1/4 (743)
	4	F-1891MPX		24 3/4 (629)	

CABINET DIMENSIONS				
ENCLOSURE PART #	A	B	C	F
F-1888MPX	88 (2235)	36 (914)	24 (610)	24 (609)
F-1889MPX	88 (2235)	40 (1016)	28 (711)	28 (711)
F-1891MPX	88 (2235)	46 (1168)	34 (864)	28 (711)
F-1890MPX	88 (2235)	40 (1016)	28 (711)	34 (863)



NOTES:

- MATERIAL: 304 STAINLESS STEEL. UNLESS OTHERWISE NOTED.
- FINISH: PER F-7000
- LOAD AND EMERGENCY LUG CONNECTIONS AT TOP OF BYPASS SWITCH. NORMAL LUG CONNECTIONS ON RIGHT SIDE OF MOUNTING FRAME.
- CABLES MUST ENTER FROM TOP ONLY IN MAIN TRANSFER SWITCH CABINET. CABLES MAY ENTER FROM ANY DIRECTION IN REAR ADAPTOR BAY.
- ALL SIDE, TOP AND REAR PANELS ON ADAPTOR BAY ARE REMOVABLE.
- ALL DIMENSIONS ARE FOR REFERENCE ONLY AND SHOWN IN INCHES(MILLIMETERS).
- CONSTRUCTION PER UL 1008
- FOR INSTALLATION, REFER TO SHEET NO. 2.

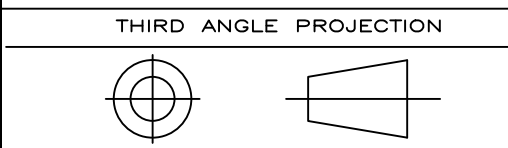
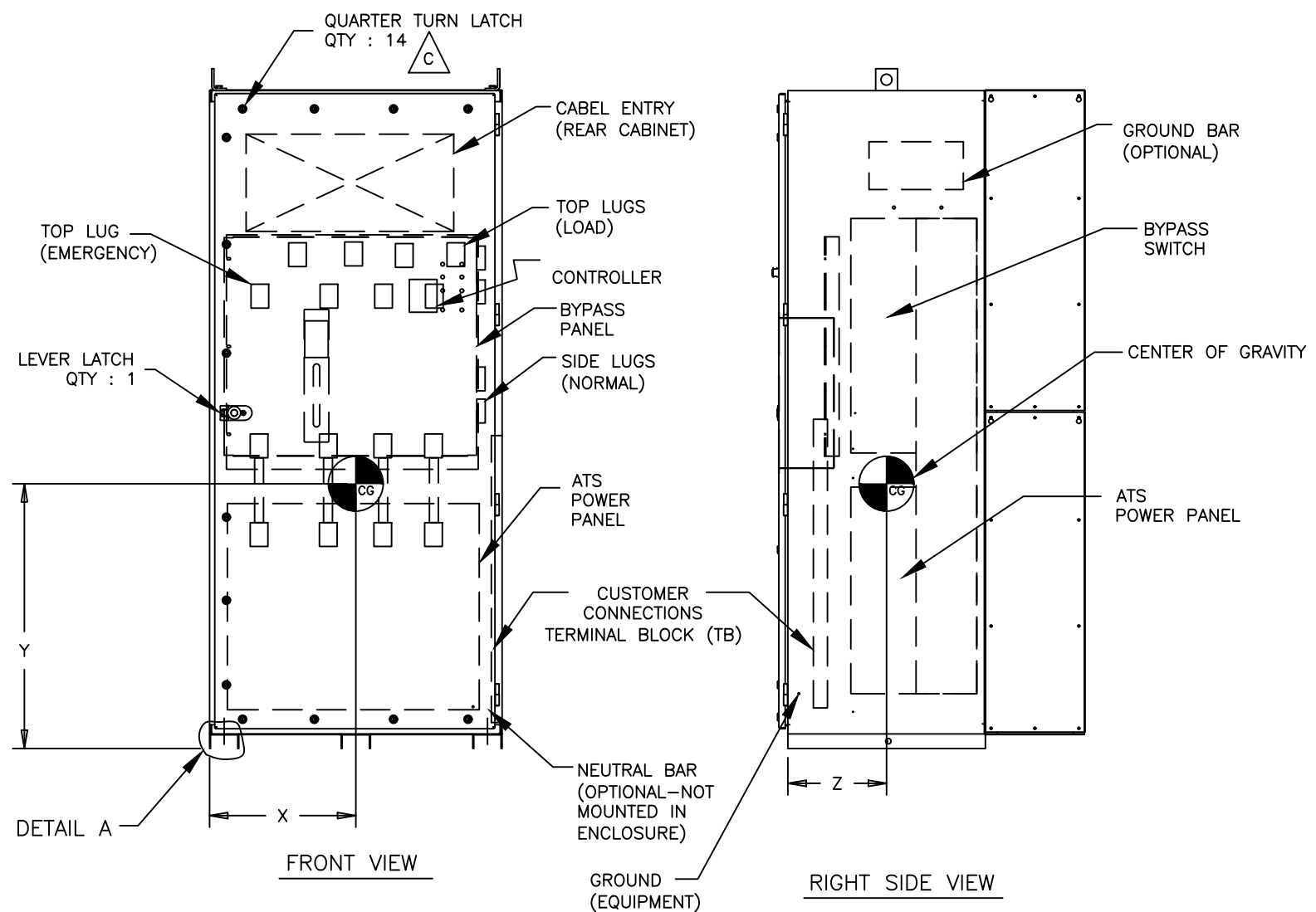


ABB PROPRIETARY AND CONFIDENTIAL INFORMATION
 The information contained in the document has to be kept strictly confidential. Any unauthorized use, reproduction, distribution or disclosure to third parties is strictly forbidden. ABB reserves all rights regarding intellectual Property Rights. Copyright 2018 ABB. All rights reserved.

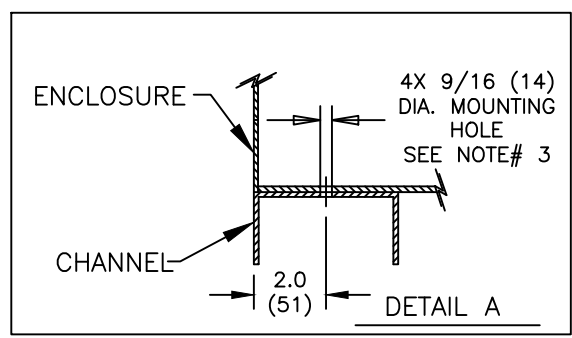
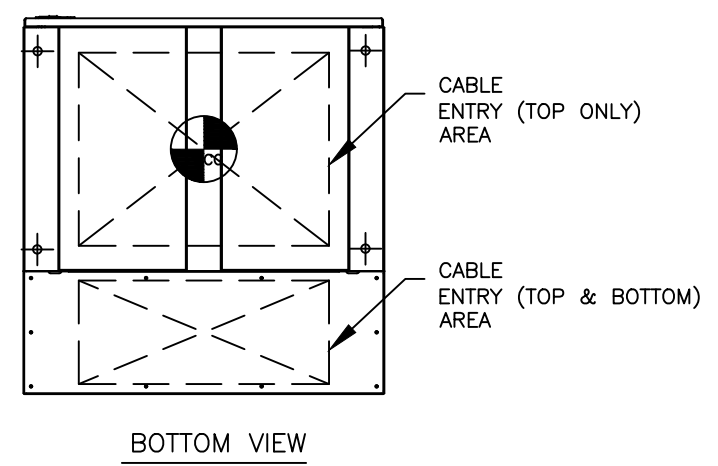
SIGNATURES		DATE	TITLE	
MODEL	EC	01/15/08	<div style="text-align: center;">ABB</div> ZBTE(D) & ZBTECT DIM. DWG. NEMA 4X	
DETAIL				
CHECKED				
ENGRG				
MFG				
QUALITY				
ISSUED				
DRAWING FILE:	90c-1012ab.dwg		FIRST MADE FOR: ZBTE(D)600-1200A & ZBTECT 100-1200A NEMA 4X	
MODEL / ASSEMBLY FILE:	ZBTE(D) 600-1200 AMP & ZBTECT 100-1200 AMP		SIZE CAGE CODE DWG NO	
# CTQs	⊖ CRITICAL TO QUALITY CHARACTERISTIC		B	
AutoCad Generated			90C-1012AB	
			SCALE: N/A	
			SHEET 1 OF 2	



NOTES:

- ALL DIMENSIONS ARE FOR REFERENCE ONLY AND SHOWN IN INCHES (MILLIMETERS).
- SEISMIC DATA OF MOST VULNERABLE ATS CONSTRUCTION WITHIN SERIES.

MAXIMUM DEFLECTION AT TOP OF GEAR: $d_{ss}=1.41$ INCHES (36 mm) $d_{fb}=0.67$ INCHES (17 mm)	
QUALIFIED BY: TIME HISTORY SHAKE TABLE TEST IEEE-693-2005-HIGHx2.5 (64 mm) IBC-2003-300%G	
RESONANCE FREQUENCIES: $f_{ss}=7.0$ Hz $f_{fb}=10.2$ Hz $f_v > 33.0$ Hz	
MAXIMUM REACTION TO ANY BOLT: $V_{ss}=788$ LBS (358 KG) SHEAR (DEAD LOAD +/- SEISMIC) $V_{fb}=788$ LBS (358 KG) SHEAR $T_v=3170$ LBS (1441 KG) UP $P_v=3787$ LBS (1721 KG) DOWN	
- BOLT ENCLOSURE FROM C-CHANNEL BASE (SEE DETAIL A) USING THE FOLLOWING SEISMIC CERTIFIED MOUNTING HARDWARE PER MOUNTING HOLE: (HARDWARE PROVIDED BY INSTALLER).
 - 1/2-13 GRADE 5 BOLT TORQUE TO 75 FT-LBS. (101 NEWTON METERS).
 - US STANDARD HIGH STRENGTH ZINC-PLATED FLAT WASHER 5/8 (16) I.D. AND 1-1/2 (38) O.D.
 - 1/2 (13) HELICAL SPRING LOCK WASHER.
- CENTER OF GRAVITY DIMENSIONS ARE FOR REFERENCE ONLY.
- LOAD AND EMERGENCY LUG CONNECTIONS AT TOP OF BYPASS SWITCH. NORMAL LUG CONNECTIONS ON RIGHT SIDE OF MOUNTING FRAME. CABLES MUST ENTER IN TOP ONLY IN MAINTRANSFER SWITCH CABINET. CABLES MAY ENTER FROM ANY DIRECTION IN REAR ADAPTER BAY.
- SWITCH SUPPLIED WITH STANDARD MECHANICAL LUG. REFER TO SHEET 1 FOR LUG DETAILS
- ALL CONTROL WIRES (18-12 AWG) MUST BE TORQUED TO 19 in-lbs. (2 N-m)
- LUG TORQUE ARE APPLICABLE FOR CU & AL CABLES.
- FOR WORKING CLEARANCE REFER TO NATIONAL AND LOCAL CODES AND STANDARDS.
- REMOVE THE PLUGS FROM BOTTOM OF ENCLOSURE FOR SEISMIC MOUNTING.
- THIS SWITCH COMES WITH WINDOW KIT (NOT SHOWN).



SOCKET SIZE ACROSS FLATS	TORQUE	
	Lb-Ft	N-m
1/8	4	5.4
5/32	8	10.9
3/16	10	13.6
7/32	12	16.3
1/4	17	23.1
5/16	23	31.2
3/8	31	42.1
1/2	42	57.0
9/16	50	67.9

AMP	POLE	WEIGHT LB(kg)	CENTER OF GRAVITY in(mm)		
			X	Y	Z
600	3	1655(751)	18.0 (457)	36.0 (914)	24.0 (610)
	4	1760(798)			
800-1200	3	1705(773)	21.0 (533)	36.0 (914)	24.0 (610)
	4	1810(821)			

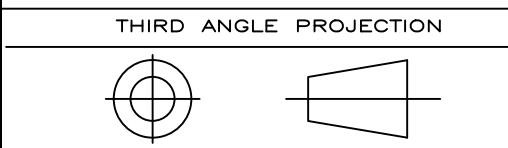



ABB PROPRIETARY AND CONFIDENTIAL INFORMATION
 The information contained in the document has to be kept strictly confidential. Any unauthorized use, reproduction, distribution or disclosure to third parties is strictly forbidden. ABB reserves all rights regarding intellectual Property Rights. Copyright 2018 ABB. All rights reserved.

SIGNATURES		DATE	 ZBTE(D) & ZBTECT INST. DWG. NEMA 4X
MODEL	EC	01/15/08	
DETAIL			
CHECKED			
ENGRG			
DRAWING FILE: 90c-1012ab.dwg		FIRST MADE FOR: ZBTE(D) 600-1200A & ZBTECT 100-1200A NEMA 4X	TITLE
MODEL / ASSEMBLY FILE: ZBTE(D) 600-1200 AMP & ZBTECT 100-1200 AMP	SIZE B	CAGE CODE	DWG NO
# CTQs	⊖ CRITICAL TO QUALITY CHARACTERISTIC	SCALE: N/A	90C-1012AB
AutoCad Generated			SHEET 2 OF 2

