

| REVISIONS | | | |
|-----------|----------------------------|----------|----------|
| REV. | DESCRIPTION | DATE | APPROVED |
| 1 | CO76899 UPDATED REBRANDING | 10/14/19 | AR MAS |

| MODEL | AMPERAGE | ENCLOSURE PART # | POLES |
|-----------|----------|------------------|-------|
| ZTE(D/CT) | 4000 AMP | F-1865MPL | 3,4 |

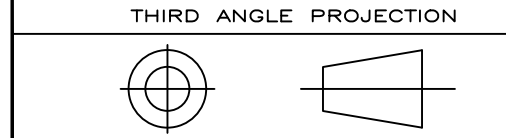
- NOTES:**
1. MATERIAL: 10 GA. .134(3) 1018 HRS REF. (F-1865MPL)
 2. FINISH: ANSI 61 GREY
 3. ALL CABLE ENTRY IN REAR OF CABINET.
 4. WIRING BENDING AND GUTTER SPACES MEASURED AT POINT OF CONNECTION TO LUGS. LUGS ARE SUPPLIED AS OPTION ONLY.
 5. ALL DIMENSIONS ARE FOR REFERENCE ONLY AND SHOWN IN INCHES(MILLIMETERS).
 6. CONSTRUCTION PER UL 1008
 7. FOR INSTALLATION, REFER TO SHEET NO .2

IMPORTANT NOTE:
LUGS ARE SUPPLIED AS OPTIONAL ACCESSORY ONLY AND ARE SHOWN FOR REFERENCE ONLY.

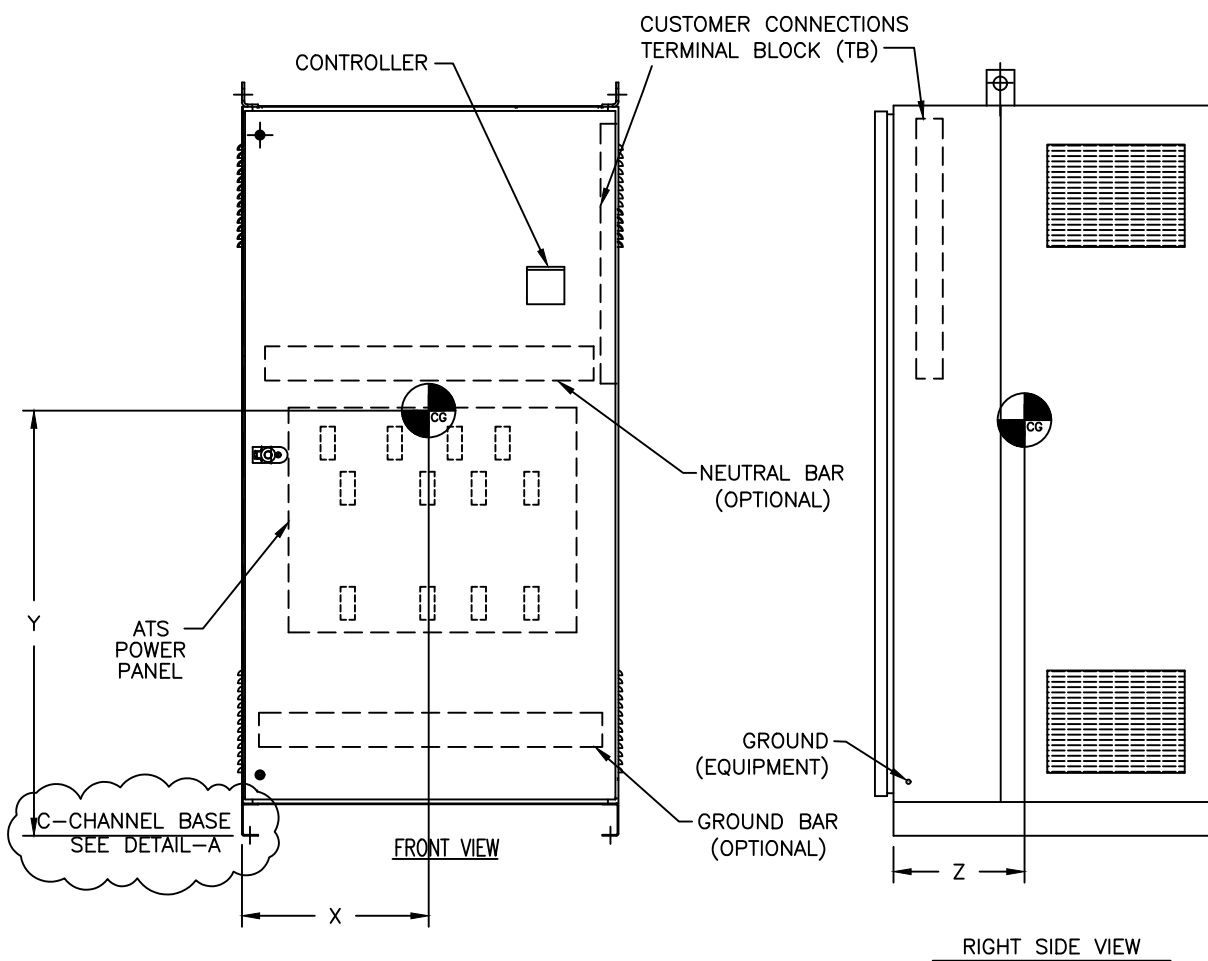
| SIGNATURES | | DATE | TITLE | |
|---|----|------------------------------------|---|----------|
| MODEL | SG | 01/15/08 | ZTE(D/CT) 4000 AMP NEMA 1 | |
| DETAIL | | | SIZE | B |
| CHECKED | | | DWG NO | 90C-1018 |
| ENGRG | | | FIRST MADE FOR: ZTE(D/CT) 4000 AMP NEMA 1 | |
| MFG | | | CAGE CODE | |
| QUALITY | | | DWG NO | |
| ISSUED | | | SCALE: N/A | |
| DRAWING FILE: 90c-1018.dwg | | SHEET 1 OF 2 | | |
| MODEL / ASSEMBLY FILE: ZTE(D/CT) 4000 AMP | | | | |
| # CTOs | ⊖ | CRITICAL TO QUALITY CHARACTERISTIC | | |



ABB PROPRIETARY AND CONFIDENTIAL INFORMATION
The information contained in the document has to be kept strictly confidential. Any unauthorized use, reproduction, distribution or disclosure to third parties is strictly forbidden. ABB reserves all rights regarding intellectual Property Rights. Copyright 2018 ABB. All rights reserved.



AutoCad Generated

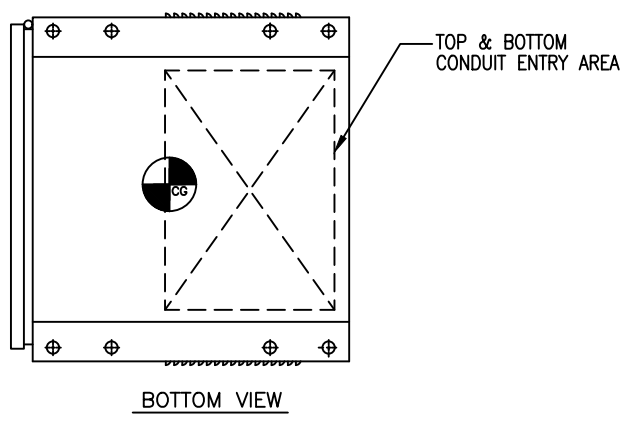
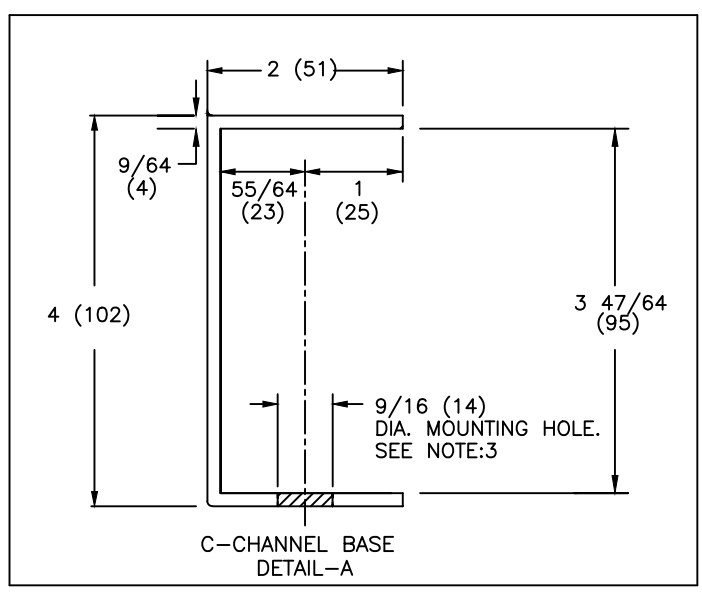


NOTES:

1. ALL DIMENSIONS ARE FOR REFERENCE ONLY AND SHOWN IN INCHES (MILLIMETERS).
2. SEISMIC DATA OF MOST VULNERABLE ATS CONSTRUCTION WITHIN ITS PLATFORM:

| | |
|---|--|
| MAXIMUM DEFLECTION AT TOP OF GEAR: dss=0.69 INCHES (18 mm) dfb=0.21 INCHES (5 mm) | |
| QUALIFIED BY: TIME HISTORY SHAKE TABLE TEST IEEE-693-2005-HIGHx2.5 (64 mm) IBC-2003-300%G | |
| RESONANCE FREQUENCIES: fss=10.9 Hz ffb=19.5 Hz fv=>33.0 Hz | |
| MAXIMUM REACTION TO ANY BOLT: Vss=945 LBS (430 KG) SHEAR (DEAD LOAD +/- SEISMIC) Vfb=945 LBS (430 KG) SHEAR Tv=1872 LBS (851 KG) UP Pv=2613 LBS (1188 KG) DOWN | |

3. BOLT ENCLOSURE FROM C-CHANNEL BASE (SEE DETAIL A) USING THE FOLLOWING SEISMIC CERTIFIED MOUNTING HARDWARE PER MOUNTING HOLE:
(HARDWARE PROVIDED BY INSTALLER).
 - 1/2-13 GRADE 5 BOLT TORQUE TO 70 FT-LBS. (95 NEWTON METERS).
 - US STANDARD HIGH STRENGTH ZINC-PLATED FLAT WASHER 5/8 (16) I.D. AND 1-1/2 (38) O.D.
 - 1/2 (13) HELICAL SPRING LOCK WASHER.
4. CENTER OF GRAVITY DIMENSIONS ARE FOR REFERENCE ONLY.
5. SWITCH IS DESIGNED FOR BOTH TOP AND BOTTOM CABLE ENTRY.
STANDARD SWITCH CONFIGURATION IS FOR TOP LUGS LOAD AND NORMAL AND BOTTOM LUGS EMERGENCY.
REFER TO SHEET 1 FOR CABLE BENDING SPACE AND GUTTER SPACE DETAILS.
6. SWITCH SUPPLIED WITH STANDARD MECHANICAL LUG.
REFER TO SHEET 1 FOR LUG DETAILS
7. ALL CONTROL WIRES (18-12 AWG) MUST BE TORQUED TO 19 in-lbs. (2 N-m)
8. LUG TORQUE ARE APPLICABLE FOR CU & AL CABLES.
9. FOR WORKING CLEARANCE REFER TO NATIONAL AND LOCAL CODES AND STANDARDS.



| SOCKET SIZE ACROSS FLATS | TORQUE | |
|--------------------------|--------|------|
| | Lb-Ft | N-m |
| 1/8 | 4 | 5.4 |
| 5/32 | 8 | 10.9 |
| 3/16 | 10 | 13.6 |
| 7/32 | 12 | 16.3 |
| 1/4 | 17 | 23.1 |
| 5/16 | 23 | 31.2 |
| 3/8 | 31 | 42.1 |
| 1/2 | 42 | 57.0 |
| 9/16 | 50 | 67.9 |

| AMP | POLE | WEIGHT | CENTER OF GRAVITY in(mm) | | |
|------|------|-----------|--------------------------|-------------|------------|
| | | LB(kg) | X | Y | Z |
| 4000 | 3 | 1595(723) | 26.0 (660) | 41.0 (1041) | 20.0 (508) |
| | 4 | 1850(839) | | | |

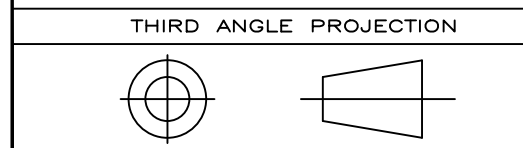


ABB PROPRIETARY AND CONFIDENTIAL INFORMATION
 The information contained in the document has to be kept strictly confidential. Any unauthorized use, reproduction, distribution or disclosure to third parties is strictly forbidden. ABB reserves all rights regarding intellectual Property Rights. Copyright 2018 ABB. All rights reserved.

| | | | | | |
|---|--|------------------------------------|--|--|--|
| SIGNATURES | | DATE | | ABB | |
| MODEL CEE | | 01/15/08 | | | |
| DETAIL | | | | TITLE | |
| CHECKED | | | | ZTE(D/CT) 4000 AMP | |
| ENGRG | | | | INSTALLATION DWG. NEMA-1 | |
| MFG | | | | FIRST MADE FOR: ZTE(D/CT) 4000A - NEMA-1 | |
| QUALITY | | | | CAGE CODE | |
| ISSUED | | | | DWG NO | |
| DRAWING FILE: 90c-1018.dwg | | SIZE B | | 90C-1018 | |
| MODEL / ASSEMBLY FILE: ZTE(D/CT) 4000 AMP | | # CTQs | | SCALE: N/A | |
| AutoCad Generated | | CRITICAL TO QUALITY CHARACTERISTIC | | SHEET 2 OF 2 | |