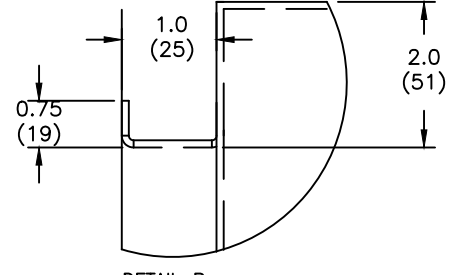
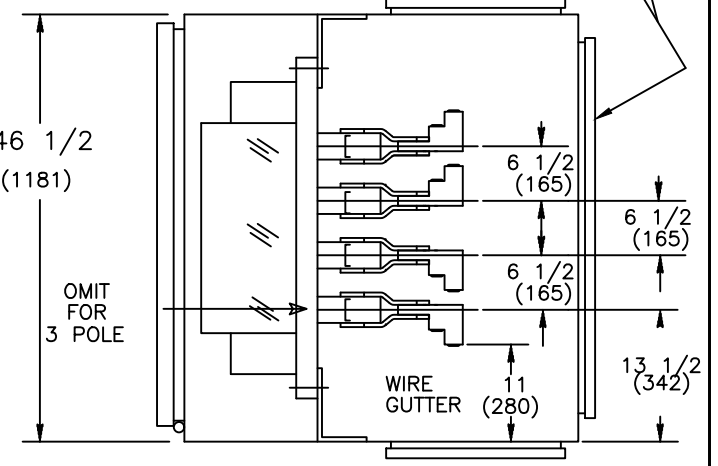
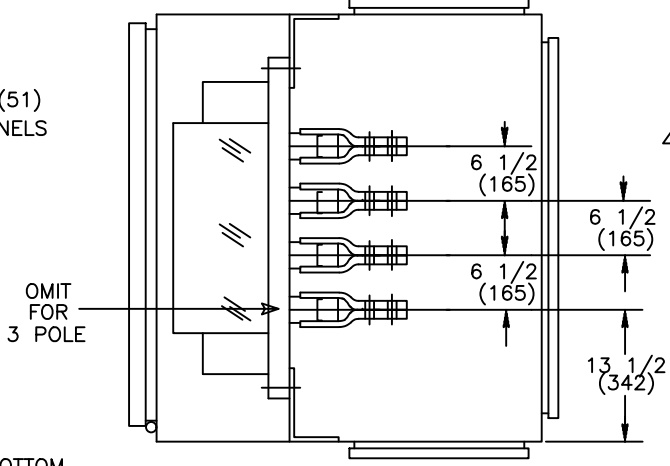


REVISIONS			
REV.	DESCRIPTION	DATE	APPROVED
1	C076899 UPDATED REBRANDING	10/14/19	AR MAS

MODEL	AMPERAGE	ENCLOSURE PART #	POLES
ZTE(D/CT)	4000 AMP	F-1871MPL	3,4



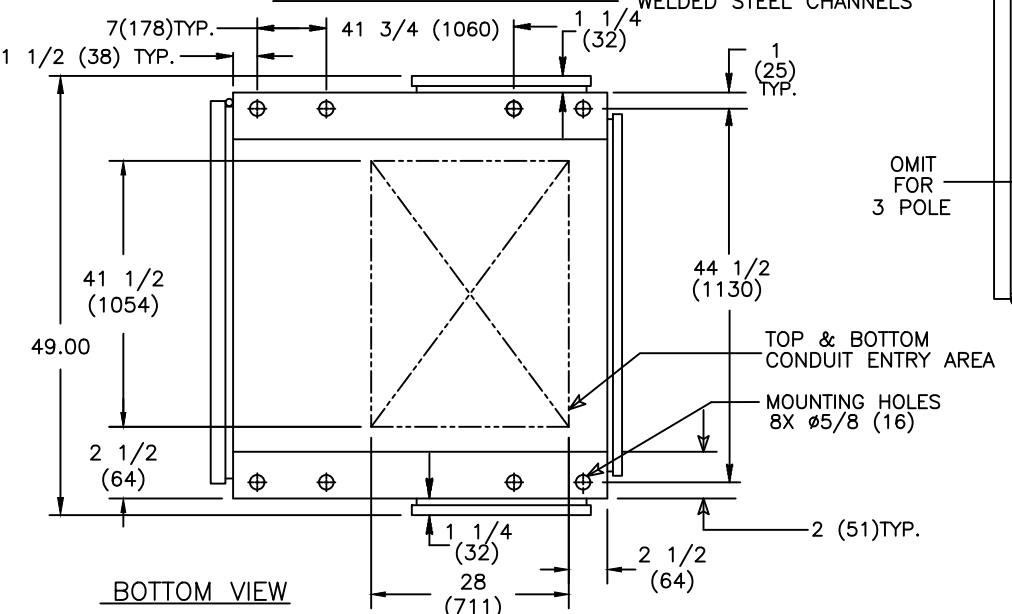
GASKETED COVER PLATES 16 GA. .060(2) REF. BACK AND SIDES



IMPORTANT NOTE:
LUGS ARE SUPPLIED AS OPTIONAL ACCESSORY ONLY. SHOWN FOR REFERENCE ONLY.

NOTES:

1. MATERIAL: 10 GA. .134(3) 1018 HRS REF.(F-1871MPL)
2. FINISH: ANSI 61 GREY
3. ALL CABLE ENTRY IN REAR OF CABINET.
4. WIRING BENDING AND GUTTER SPACES MEASURED AT POINT OF CONNECTION TO LUGS. LUGS ARE SUPPLIED AS OPTION ONLY.
5. ALL DIMENSIONS ARE FOR REFERENCE ONLY AND SHOWN IN INCHES(MILLIMETERS).
6. ALL SIDE AND REAR DOOR/PANELS SHALL HAVE GUTTER AND KNIFE EDGE FLANGES, AND HAVE HINGES ON THE RIGHT HAND SIDE.
7. CONSTRUCTION PER UL 1008
8. FOR INSTALLATION, REFER TO SHEET NO. 2.
9. 4000AMP IS NOT AVAILABLE IN NEMA 4 & 12 ENCLOSURES



SIGNATURES		DATE
MODEL	SG	01/15/08
DETAIL		
CHECKED		
ENGRG		
MFG		
QUALITY		
ISSUED		
DRAWING FILE:	90c-1020.dwg	
MODEL / ASSEMBLY FILE:	ZTE(D/CT) 4000 AMP	
# CTQs	⊖	CRITICAL TO QUALITY CHARACTERISTIC

ABB		
ZTE(D/CT) 4000 AMP DIMENSIONAL DWG. NEMA 3R		
FIRST MADE FOR: ZTE(D/CT) 4000 AMP NEMA 3R		
SIZE	CAGE CODE	DWG NO
B		90C-1020
SCALE:	N/A	SHEET 1 OF 2

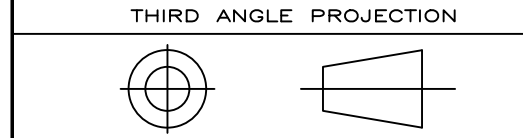
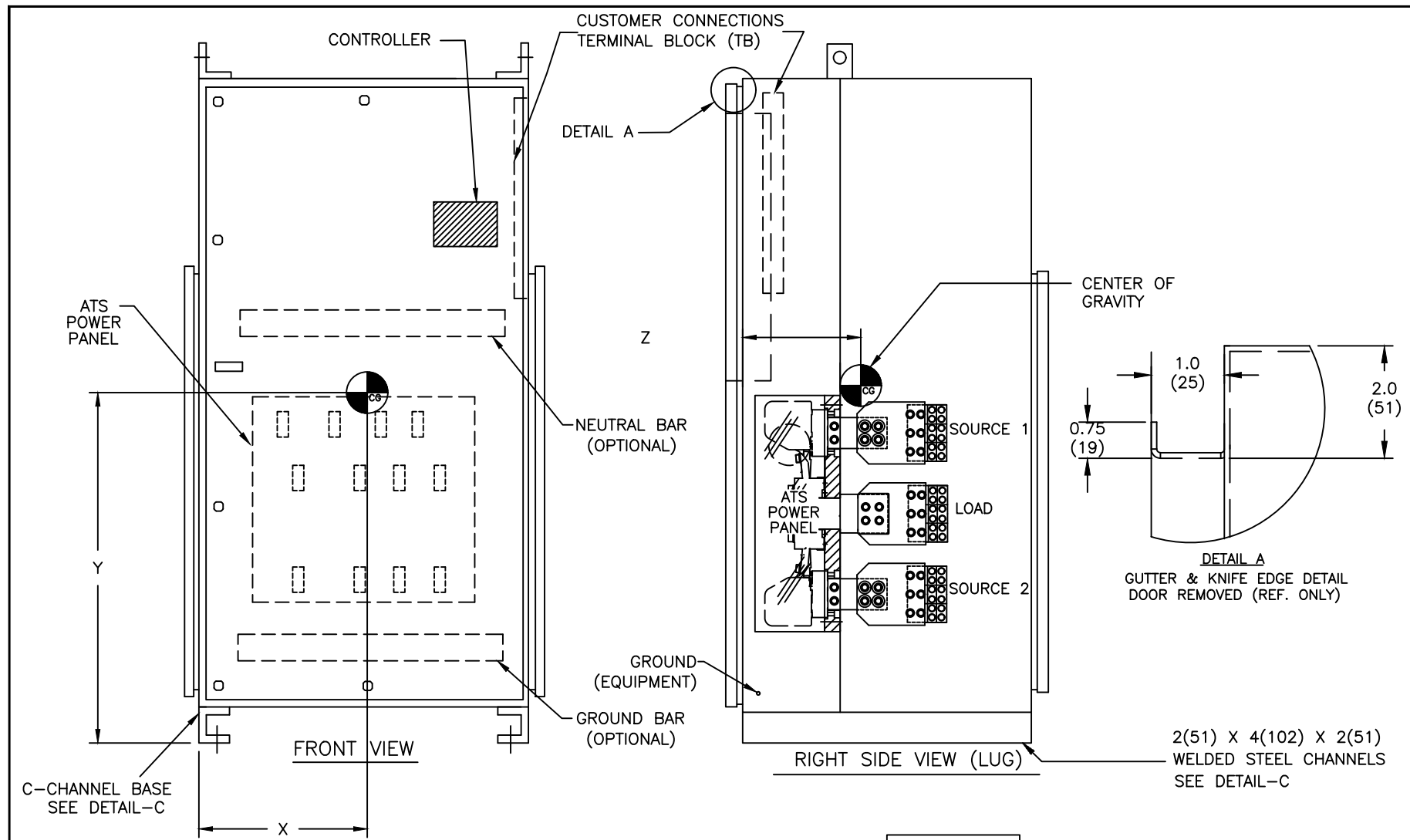


ABB PROPRIETARY AND CONFIDENTIAL INFORMATION
The information contained in the document has to be kept strictly confidential. Any unauthorized use, reproduction, distribution or disclosure to third parties is strictly forbidden. ABB reserves all rights regarding intellectual Property Rights. Copyright 2018 ABB. All rights reserved

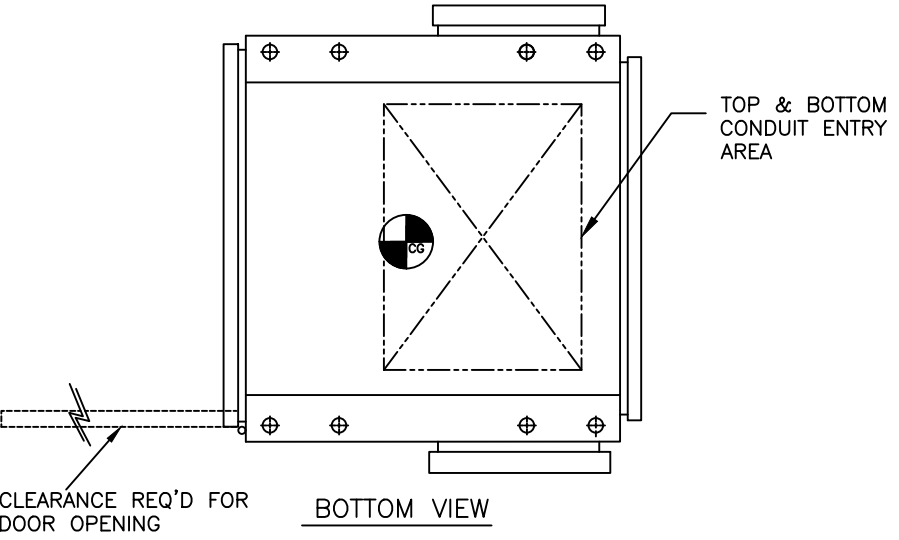
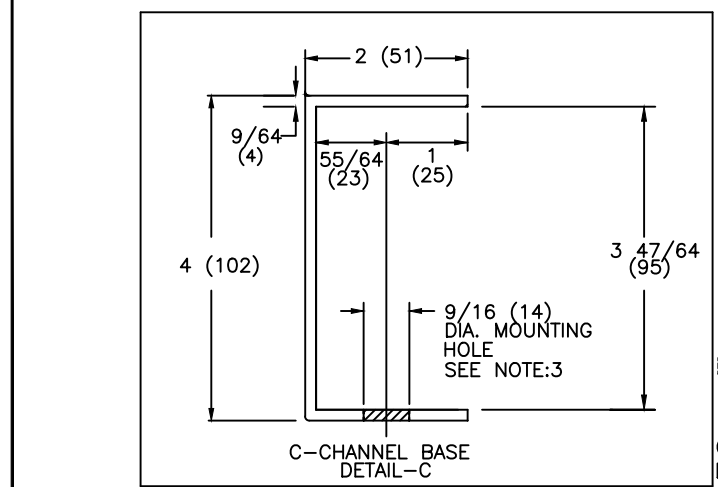
AutoCad Generated



NOTES:

- ALL DIMENSIONS ARE FOR REFERENCE ONLY AND SHOWN IN INCHES (MILLIMETERS).
- SEISMIC DATA OF MOST VULNERABLE ATS CONSTRUCTION WITHIN ITS PLATFORM:

MAXIMUM DEFLECTION AT TOP OF GEAR:	dss=0.69 INCHES (18 mm) dfb=0.21 INCHES (5 mm)
QUALIFIED BY:	TIME HISTORY SHAKE TABLE TEST IEEE-693-2005-HIGHx2.5 (64 mm) IBC-2003-300%G
RESONANCE FREQUENCIES:	fss=10.9 Hz ffb=19.5 Hz fv>33.0 Hz
MAXIMUM REACTION TO ANY BOLT: (DEAD LOAD +/- SEISMIC)	Vss=945 LBS (430 KG) SHEAR Vfb=945 LBS (430 KG) SHEAR Tv=1872 LBS (851 KG) UP Pv=2613 LBS (1188 KG) DOWN
- BOLT ENCLOSURE FROM C-CHANNEL BASE (SEE DETAIL C) USING THE FOLLOWING SEISMIC CERTIFIED MOUNTING HARDWARE PER MOUNTING HOLE: (HARDWARE PROVIDED BY INSTALLER).
 - 1/2-13 GRADE 5 BOLT TORQUE TO 70 FT-LBS. (95 NEWTON METERS).
 - US STANDARD HIGH STRENGTH ZINC-PLATED FLAT WASHER 5/8 (16) I.D. AND 1-1/2 (38) O.D.
 - 1/2 (13) HELICAL SPRING LOCK WASHER.
- CENTER OF GRAVITY DIMENSIONS ARE FOR REFERENCE ONLY.
- SWITCH IS DESIGNED FOR BOTH TOP AND BOTTOM CABLE ENTRY. STANDARD SWITCH CONFIGURATION IS FOR TOP LUGS LOAD AND NORMAL AND BOTTOM LUGS EMERGENCY. REFER TO SHEET 1 FOR CABLE BENDING SPACE AND GUTTER SPACE DETAILS.
- SWITCH SUPPLIED WITH STANDARD MECHANICAL LUG. REFER TO SHEET 1 FOR LUG DETAILS
- ALL CONTROL WIRES (18-12 AWG) MUST BE TORQUED TO 19 in-lbs. (2 N-m)
- LUG TORQUE ARE APPLICABLE FOR CU & AL CABLES.
- FOR WORKING CLEARANCE REFER TO NATIONAL AND LOCAL CODES AND STANDARDS.



SOCKET SIZE ACROSS FLATS	TORQUE	
	Lb-Ft	N-m
1/8	8	5.4
5/32	10	10.9
3/16	12	13.6
7/32	17	16.3
1/4	23	23.1
5/16	31	31.2
3/8	42	42.1
1/2	50	57.0
9/16		67.9

AMP	POLE	WEIGHT LB(kg)	CENTER OF GRAVITY in(mm)		
			X	Y	Z
4000	3	1595(723)	26.0 (660)	41.0 (1041)	20.0 (508)
	4	1850(839)			

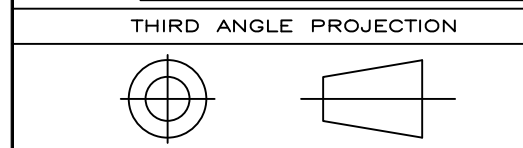



ABB PROPRIETARY AND CONFIDENTIAL INFORMATION
 The information contained in the document has to be kept strictly confidential. Any unauthorized use, reproduction, distribution or disclosure to third parties is strictly forbidden. ABB reserves all rights regarding intellectual Property Rights. Copyright 2018 ABB. All rights reserved.

SIGNATURES		DATE		 ZTE(D/CT) 4000 AMP INSTALLATION DWG. NEMA - 3R
MODEL	SG	01/15/08		
DETAIL				
CHECKED				
ENGRG				
MFG				
QUALITY				
ISSUED				
DRAWING FILE: 90c-1020.dwg		FIRST MADE FOR: ZTE(D/CT) 4000 A - NEMA-3R		
MODEL / ASSEMBLY FILE: ZTE(D/CT) 4000 AMP	SIZE B	CAGE CODE	DWG NO	
AutoCad Generated	# CTQs	CRITICAL TO QUALITY CHARACTERISTIC		
SCALE: N/A		SHEET 2 OF 2		