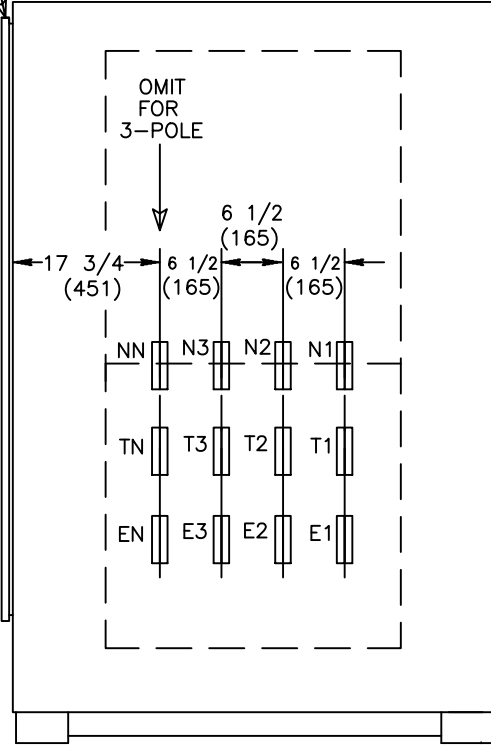
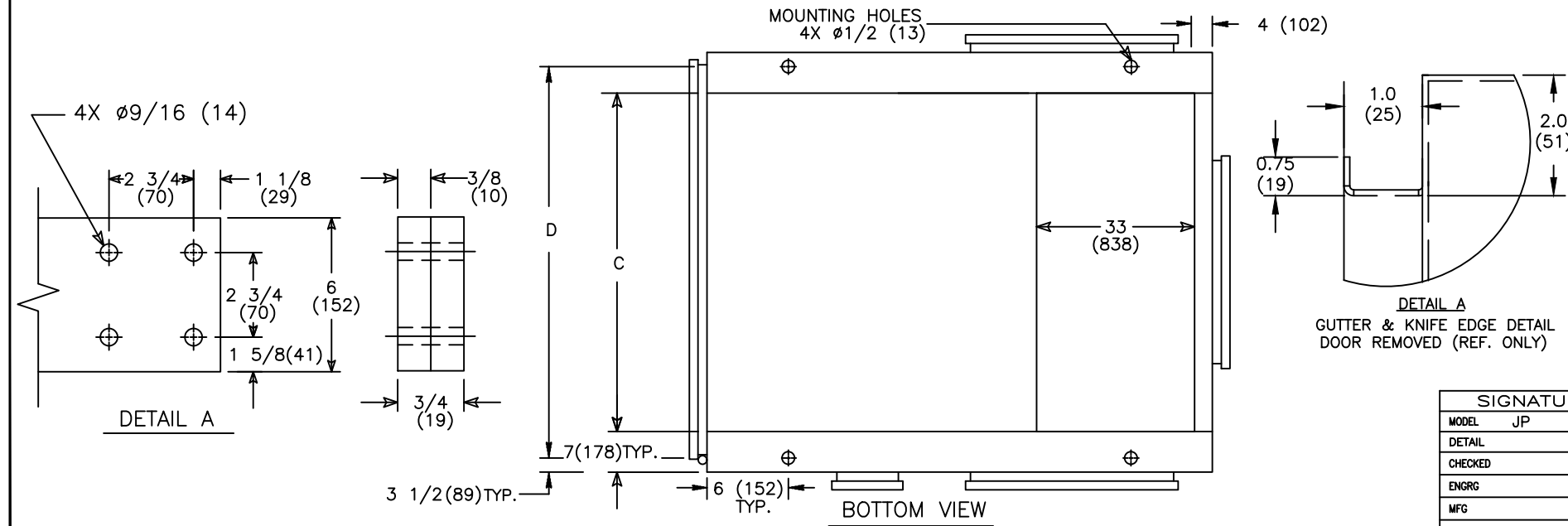


REVISIONS			
REV.	DESCRIPTION	DATE	APPROVED
1	CO76899 UPDATED REBRANDING	10/14/19	AR MAS



- NOTES:**
- MATERIAL:
10 GA. STEEL .134(3) REF.
 - FINISH: PER F-7000.
 - ALL CABLE ENTRY IN REAR OF CABINET.
 - WIRING BENDING AND GUTTER SPACES MEASURED AT POINT OF CONNECTION TO LUGS. LUGS ARE SUPPLIED AS OPTION ONLY.
 - ALL DIMENSIONS ARE FOR REFERENCE ONLY AND SHOWN IN INCHES (MILLIMETERS).
 - ALL HANDLING AND MOVEMENT OF CABINET MUST BE DONE IN THE UPRIGHT POSITION ONLY.
 - CONSTRUCTION PER UL 1008
 - FOR INSTALLATION REFER TO SHEET NO. 2.



ZBTE(D/CT)	SCHEDULE					
	ENCLOSURE #	TYPE	POLES	B	C	D
4000 AMP	F-1954MP	NEMA 3R, 4 & 12	3	48 1/2 (1232)	33 1/2 (851)	40 1/2 (1029)
	F-1955MP	NEMA 3R 4 & 12	4	55 (1397)	40 (1016)	47 (1194)

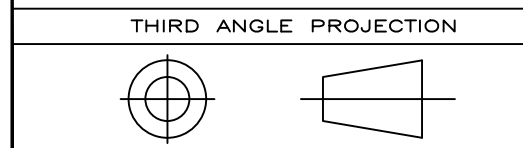

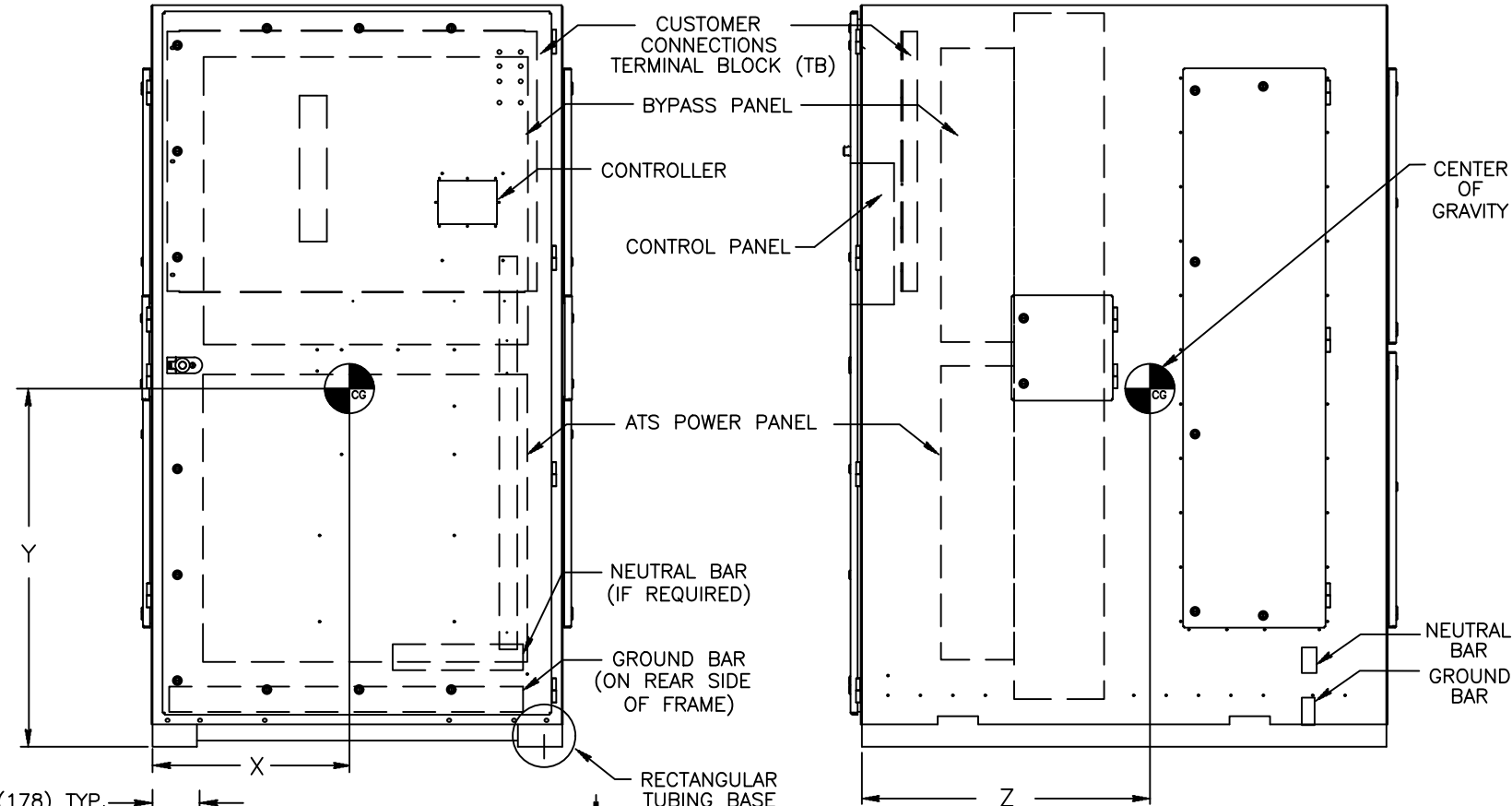


ABB PROPRIETARY AND CONFIDENTIAL INFORMATION
 The information contained in the document has to be kept strictly confidential. Any unauthorized use, reproduction, distribution or disclosure to third parties is strictly forbidden. ABB reserves all rights regarding intellectual Property Rights. Copyright 2018 ABB. All rights reserved.

SIGNATURES		DATE	 ZBTE(D/CT) 4000 AMP DIM. DWG. NEMA 3R, 4(X), & 12	
MODEL	JP	01/15/08		
DETAIL				
CHECKED				
ENGRG				
MFG				
QUALITY				
ISSUED			TITLE	
DRAWING FILE:	90c-1021.dwg		FIRST MADE FOR: ZBTE(D/CT) 4000 AMP NEMA 3R, 4, & 12 ENCLOSURES	
MODEL / ASSEMBLY FILE:	ZBTE(D/CT) 4000 AMP		SIZE CAGE CODE DWG NO	
			B	
			90C-1021	
AutoCad Generated	# CTQs	⊖ CRITICAL TO QUALITY CHARACTERISTIC	SCALE: N/A	
			SHEET 1 OF 2	

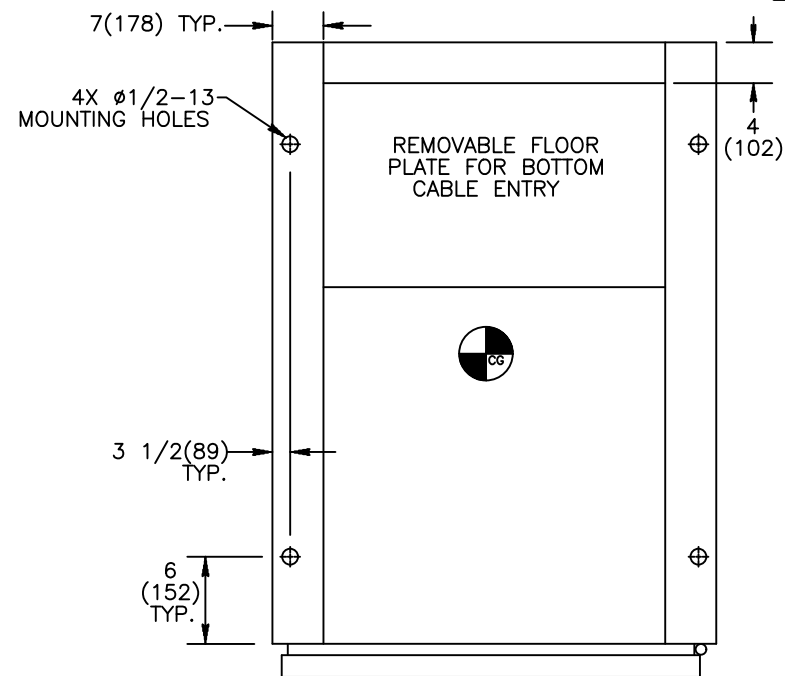


NOTES:

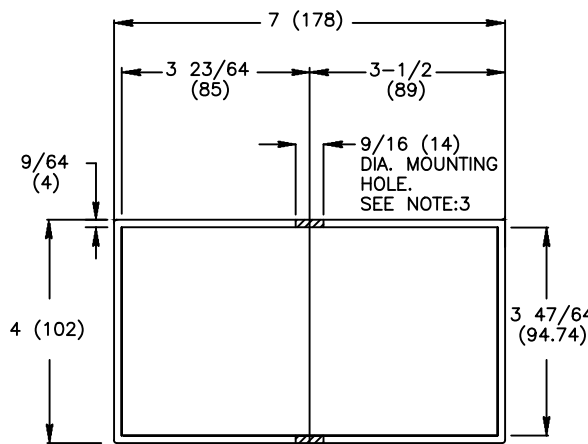
1. ALL DIMENSIONS ARE FOR REFERENCE ONLY AND SHOWN IN INCHES (MILLIMETERS).
2. SEISMIC DATA OF MOST VULNERABLE ATS CONSTRUCTION WITHIN ITS PLATFORM:

MAXIMUM DEFLECTION AT TOP OF GEAR:	dss=0.98 INCHES (25 mm)
	dfb=0.21 INCHES (4 mm)
QUALIFIED BY:	TIME HISTORY SHAKE TABLE TEST
	IEEE-693-2005-HIGHx2.5 (64 mm)
	IBC-2003-300%G
RESONANCE FREQUENCIES:	fss=8.6 Hz
	ffb=21.0 Hz
	fv=>33.0 Hz
MAXIMUM REACTION TO ANY BOLT:	Vss=5400 LBS (2449 KG) SHEAR
(DEAD LOAD +/- SEISMIC)	Vfb=5400 LBS (2449 KG) SHEAR
	Tv=12251 LBS (5557 KG) UP
	Pv=16492 LBS (7480 KG) DOWN

3. BOLT ENCLOSURE FROM RECTANGULAR BASE (SEE DETAIL B) USING THE FOLLOWING SEISMIC CERTIFIED MOUNTING HARDWARE PER MOUNTING HOLE: (HARDWARE PROVIDED BY INSTALLER).
 - 1/2-13 GRADE 5 BOLT TORQUE TO 15 FT-LBS. (20 NEWTON METERS).
 - US STANDARD HIGH STRENGTH ZINC-PLATED FLAT WASHER 5/8 (16) I.D. AND 1-1/2 (38) O.D.
 - 1/2 (13) HELICAL SPRING LOCK WASHER.
4. CENTER OF GRAVITY DIMENSIONS ARE FOR REFERENCE ONLY
5. SWITCH IS DESIGNED FOR BOTH TOP AND BOTTOM CABLE ENTRY. REFER TO SHEET 1 FOR CABLE BENDING SPACE AND GUTTER SPACE DETAILS.
6. ALL CONTROL WIRES (18-12 AWG) MUST BE TORQUED TO 19 in-lbs. (2 N-m)
7. LUG TORQUE ARE APPLICABLE FOR CU & AL CABLES.
8. FOR WORKING CLEARANCE REFER TO NATIONAL AND LOCAL CODES AND STANDARDS.
9. NEMA 4(X) AND 12 ENCLOSURE TYPE ATS WILL COME WITH WINDOW KIT (NOT SHOWN).



BOTTOM VIEW



RECTANGULAR TUBING BASE
DETAIL-B

SOCKET SIZE ACROSS FLATS	TORQUE	
	Lb-Ft	N-m
1/8	4	5.4
5/32	8	10.9
3/16	10	13.6
7/32	12	16.3
1/4	17	23.1
5/16	23	31.2
3/8	31	42.1
1/2	42	57.0
9/16	50	67.9

AMP	POLE	WEIGHT LB(kg)	CENTER OF GRAVITY in(mm)		
			X	Y	Z
4000	3	4750(2155)	27.0 (686)	43.0 (1092)	30.0 (762)
	4	5950(2699)			

SIGNATURES		DATE
MODEL	JP	01/15/08
DETAIL		
CHECKED		
ENGRG		
MFG		
QUALITY		
ISSUED		
DRAWING FILE:	90c-1021.dwg	
MODEL / ASSEMBLY FILE:	ZBTE(D/CT) 4000 AMP	
# CTQs	⊖ CRITICAL TO QUALITY CHARACTERISTIC	

ABB

TITLE
ZBTE(D/CT) 4000 AMP
DIM. DWG. NEMA 3R, 4(X), & 12

FIRST MADE FOR: ZBTE(D/CT) 4000 AMP NEMA 3R, 4, & 12 ENCLOSURES

SIZE	CAGE CODE	DWG NO
B		90C-1021

SCALE: N/A SHEET 2 OF 2

THIRD ANGLE PROJECTION

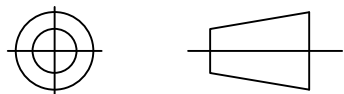


ABB PROPRIETARY AND CONFIDENTIAL INFORMATION

The information contained in the document has to be kept strictly confidential. Any unauthorized use, reproduction, distribution or disclosure to third parties is strictly forbidden. ABB reserves all rights regarding intellectual Property Rights. Copyright 2018 ABB. All rights reserved.

AutoCad Generated