


REVISIONS			
REV.	DESCRIPTION	DATE	APPROVED
1	CO76899 UPDATED REBRANDING	10/14/19	AR MAS

ZBTE/ZBTED SWITCHES	NO. POLES	ENCLOSURE PART #	LUG RANGE	WIRE BENDING SPACE		WIRE GUTTERS	
				P(TOP)	R(BOTTOM)	S(LEFT)	T(RIGHT)
100-225 AMP	2,3,4	F-1853MP	#6-250 MCM (16-150mm ²)	15 1/4 (387)	16 (406)	3 3/8 (86)	1 1/8 (30)
260-400 AMP	2,3,4		#4-600 MCM (21-304mm ²)				

CABINET DIMENSIONS						
CABINET	A	B	C	D	E	F
F-1853MP	79 (2007)	30 (762)	28 1/2 (724)	72 (1829)	23 (584)	28 (711)

- NOTES:**
- MATERIAL: 10 GA. STEEL .134(3) REF. UNLESS OTHERWISE NOTED.
 - FINISH: PER F-7000.
 - ALL LUG CONNECTIONS AT TOP OF BYPASS SWITCH.
 - ALL DIMENSIONS ARE FOR REFERENCE ONLY AND SHOWN IN INCHES(MILLIMETERS).
 - CONSTRUCTION PER UL 1008
 - FOR INSTALLATION, REFER TO SHEET NO. 2.

SIGNATURES		DATE	TITLE		
MODEL	DF	01/15/08	 ZBTE(D) 100-400 AMP DIMENSIONAL DWG. NEMA-1		
DETAIL					
CHECKED					
ENGRG	CEE	01/15/08			
MFG					
ISSUED					
DRAWING FILE:	90c-1026.dwg	FIRST MADE FOR:	ZBTE(D) 100-400 AMP NEMA-1 ENCLOSURE		
MODEL / ASSEMBLY FILE:	ZBTE(D) 100-400 AMP	SIZE	B	CAGE CODE	DWG NO
# CTQs	⊖ CRITICAL TO QUALITY CHARACTERISTIC	SCALE:	N/A		90C-1026
AutoCad Generated			SHEET	1 OF 2	

THIRD ANGLE PROJECTION

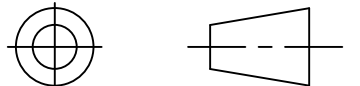
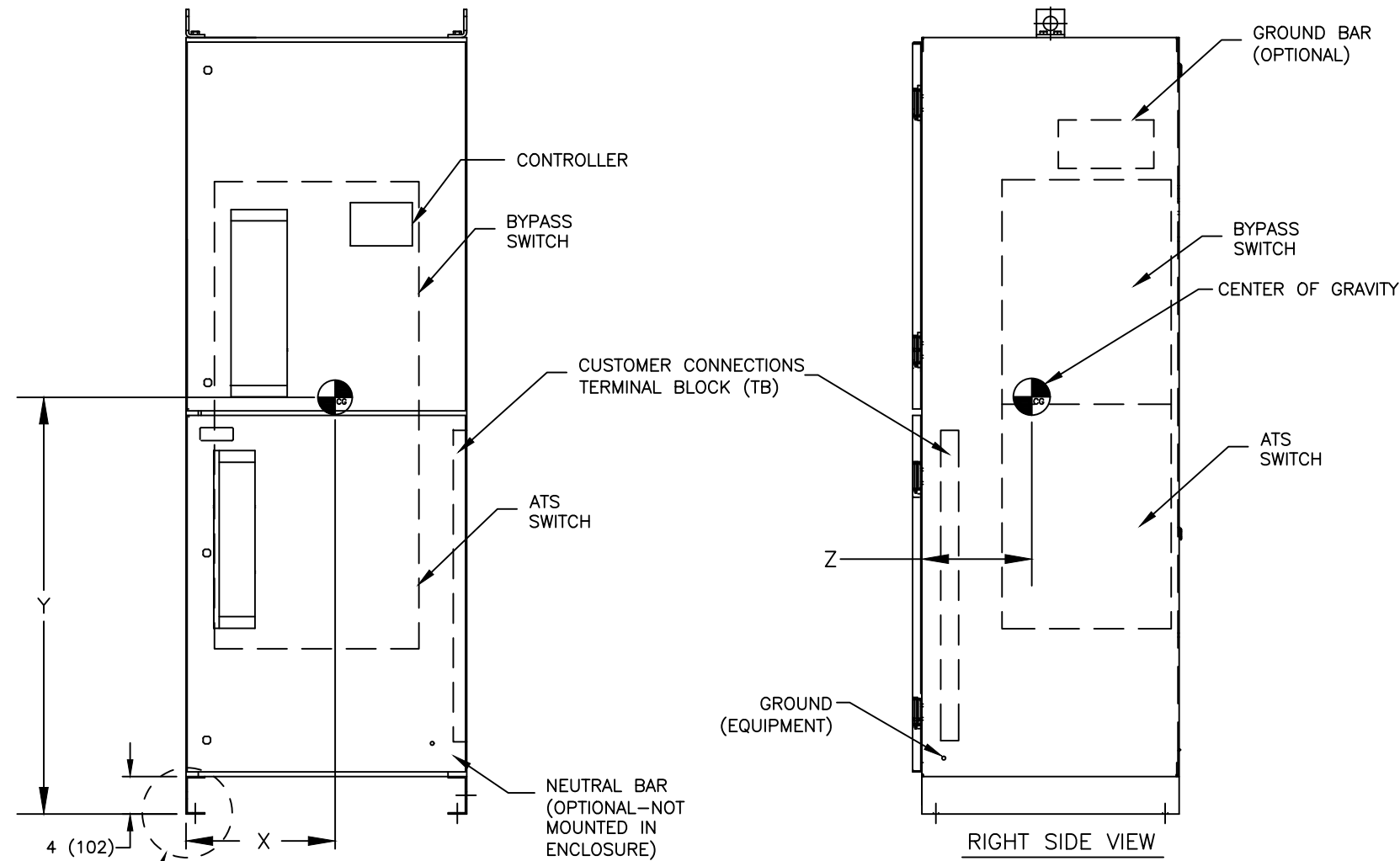


ABB PROPRIETARY AND CONFIDENTIAL INFORMATION
 The information contained in the document has to be kept strictly confidential. Any unauthorized use, reproduction, distribution or disclosure to third parties is strictly forbidden. ABB reserves all rights regarding intellectual Property Rights. Copyright 2018 ABB. All rights reserved.

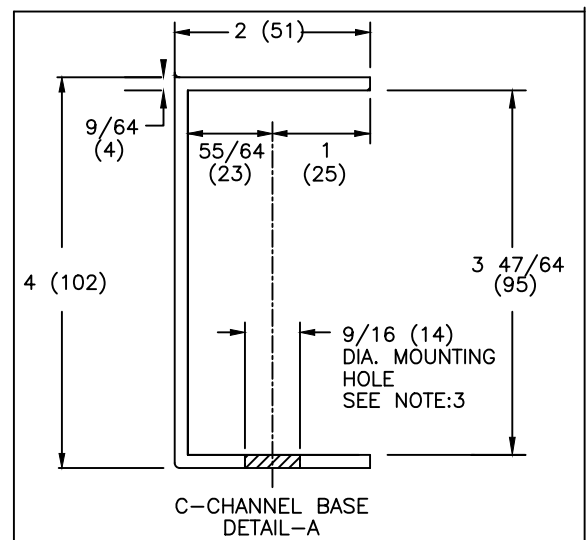
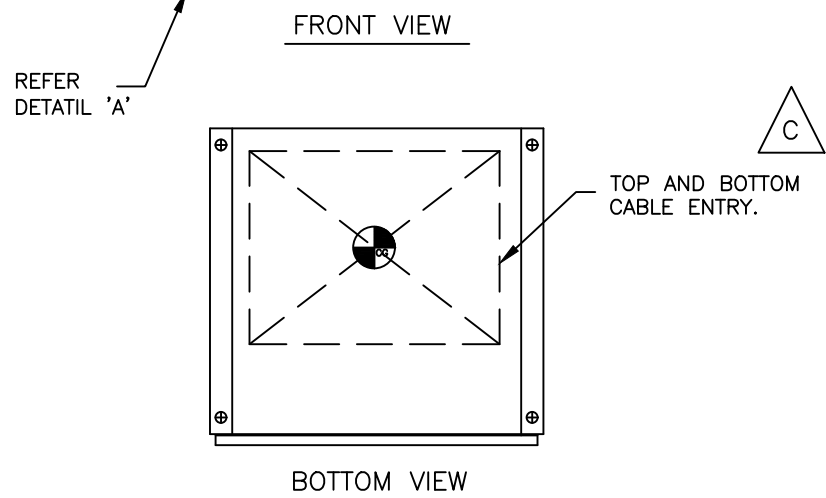


NOTES:

- ALL DIMENSIONS ARE FOR REFERENCE ONLY AND SHOWN IN INCHES (MILLIMETERS).
- SEISMIC DATA OF MOST VULNERABLE ATS CONSTRUCTION WITHIN ITS PLATFORM:

MAXIMUM DEFLECTION AT TOP OF GEAR: dss=1.41 INCHES (36 mm) dfb=0.67 INCHES (17 mm)
QUALIFIED BY: TIME HISTORY SHAKE TABLE TEST IEEE-693-2005-HIGHx2.5 (64 mm) IBC-2003-300%G
RESONANCE FREQUENCIES: fss=7.0 Hz ffb=10.2 Hz fv=>33.0 Hz
MAXIMUM REACTION TO ANY BOLT: Vss=788 LBS (358 KG) SHEAR (DEAD LOAD +/- SEISMIC) Vfb=788 LBS (358 KG) SHEAR Tv=3170 LBS (1441 KG) UP Pv=3787 LBS (1721 KG) DOWN

- BOLT ENCLOSURE FROM C-CHANNEL BASE (SEE DETAIL A) USING THE FOLLOWING SEISMIC CERTIFIED MOUNTING HARDWARE PER MOUNTING HOLE: (HARDWARE PROVIDED BY INSTALLER).
 - 1/2-13 GRADE 5 BOLT TORQUE TO 75 FT-LBS. (102 NEWTON METERS).
 - US STANDARD HIGH STRENGTH ZINC-PLATED FLAT WASHER 5/8 (16) I.D. AND 1-1/2 (38) O.D.
 - 1/2 (13) HELICAL SPRING LOCK WASHER.
- CENTER OF GRAVITY DIMENSIONS ARE FOR REFERENCE ONLY.
- STANDARD SWITCH CONFIGURATION HAS ALL LUGS LOCATED AT TOP.
- SWITCH SUPPLIED WITH STANDARD MECHANICAL LUG. REFER TO SHEET 1 FOR LUG DETAILS
- ALL CONTROL WIRES (18-12 AWG) MUST BE TORQUED TO 19 in-lbs. (2 N-m)
- LUG TORQUE ARE APPLICABLE FOR CU & AL CABLES.
- FOR WORKING CLEARANCE REFER TO NATIONAL AND LOCAL CODES AND STANDARDS.



SOCKET SIZE ACROSS FLATS	TORQUE	
	Lb-Ft	N-m
1/8	4	5.4
5/32	8	10.9
3/16	10	13.6
7/32	12	16.3
1/4	17	23.1
5/16	23	31.2
3/8	31	42.1
1/2	42	57.0
9/16	50	67.9

AMP	POLE	WEIGHT LB(kg)	CENTER OF GRAVITY in(mm)		
			X	Y	Z
100-400	2,3	1280(580)	12.4	42.3	13.8
	4	1385(628)	(315)	(1074)	(353)

SIGNATURES		DATE
MODEL	DF	01/15/08
DETAIL		
CHECKED		
ENGRG	YP	01/15/08
MFG		
QUALITY		
ISSUED		
DRAWING FILE:	90C-1026.dwg	
MODEL / ASSEMBLY FILE:	ZBTE(D) 100-400 AMP	
# CTQs	⊕ CRITICAL TO QUALITY CHARACTERISTIC	

ABB

TITLE
**ZBTE(D) 100-400 AMP
INSTALLATION DWG. NEMA-1**

FIRST MADE FOR: ZBTE(D) 100-400 AMP NEMA 1

SIZE	B	CAGE CODE	DWG NO
			90C-1026

SCALE: N/A SHEET 2 OF 2

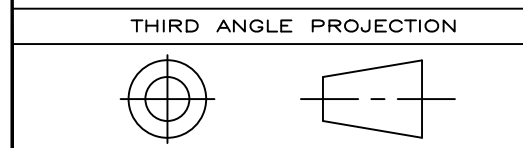


ABB PROPRIETARY AND CONFIDENTIAL INFORMATION
 The information contained in the document has to be kept strictly confidential.
 Any unauthorized use, reproduction, distribution or disclosure to third parties is strictly forbidden.
 ABB reserves all rights regarding intellectual Property Rights.
 Copyright 2018 ABB. All rights reserved

AutoCad Generated