

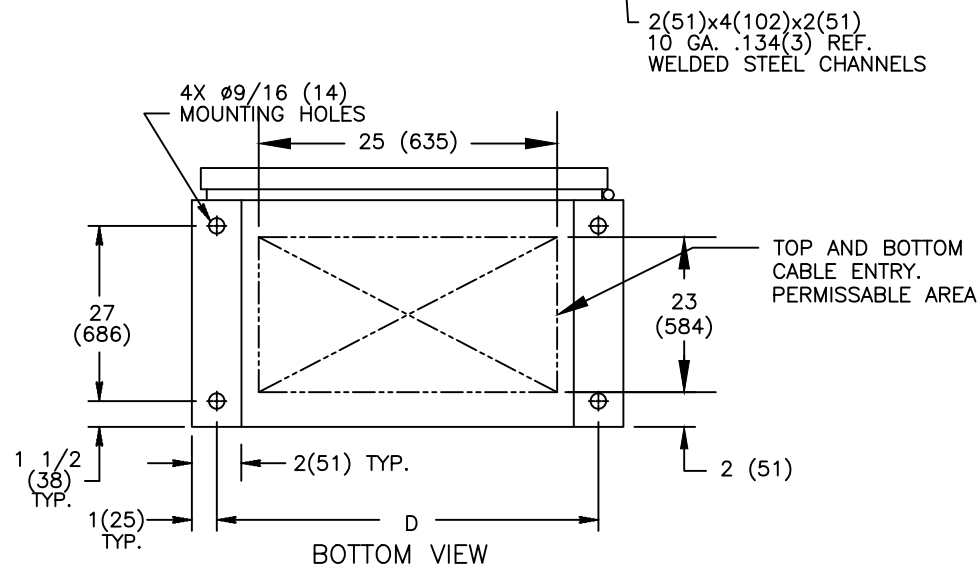
REVISIONS			
REV.	DESCRIPTION	DATE	APPROVED
1	C076899 UPDATED REBRANDING	10/14/19	AR MAS


ZBTE/ZBTE(D) SWITCHES	NO. POLES	ENCLOSURE PART #	LUG RANGE	WIRE BENDING SPACE		WIRE GUTTERS	
				P(TOP)	R(BOTTOM)	S(LEFT)	T(RIGHT)
100-225 AMP	2,3,4	F-1898MPX	#6-250 MCM (16-150mm ²)	15 1/4 (387)	16 (406)	3 3/8 (386)	2 1/4 (57)
260-400 AMP	2,3,4		#4-600 MCM (21-304mm ²)				

CABINET DIMENSIONS				
CABINET	A	B	C	D
F-1898MPX	79 (2007)	31 (787)	31 (762)	29 (737)

NOTES:

- MATERIAL:
12 GA. STEEL .109(3) REF. UNLESS OTHERWISE NOTED.
- FINISH: F-7000
- ALL LUG CONNECTIONS AT TOP OF BYPASS SWITCH.
- ALL DIMENSIONS ARE FOR REFERENCE ONLY AND SHOWN IN INCHES(MILLIMETERS).
- CONSTRUCTION PER UL 1008
- FOR INSTALLATION, REFER TO SHEET NO. 2.



SIGNATURES		DATE	TITLE	
MODEL	DF	01/15/08	 ZBTE(D) 100-400 AMP DIMENSIONAL DWG. NEMA- 4X	
DETAIL				
CHECKED				
ENGRG				
MFG				
QUALITY				
ISSUED			FIRST MADE FOR: ZBTE(D) 100 - 400 AMP NEMA- 4X ENCLOSURE	
DRAWING FILE:	90c-1028.dwg	SIZE	CAGE CODE	DWG NO
MODEL / ASSEMBLY FILE:	ZBTE(D) 100-400 AMP	B		90C-1028
# CTQs	⊖ CRITICAL TO QUALITY CHARACTERISTIC	SCALE:	N/A	SHEET 1 OF 2

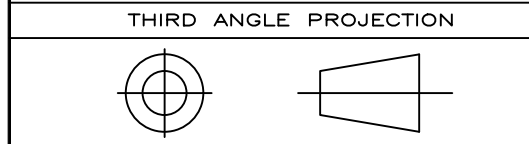
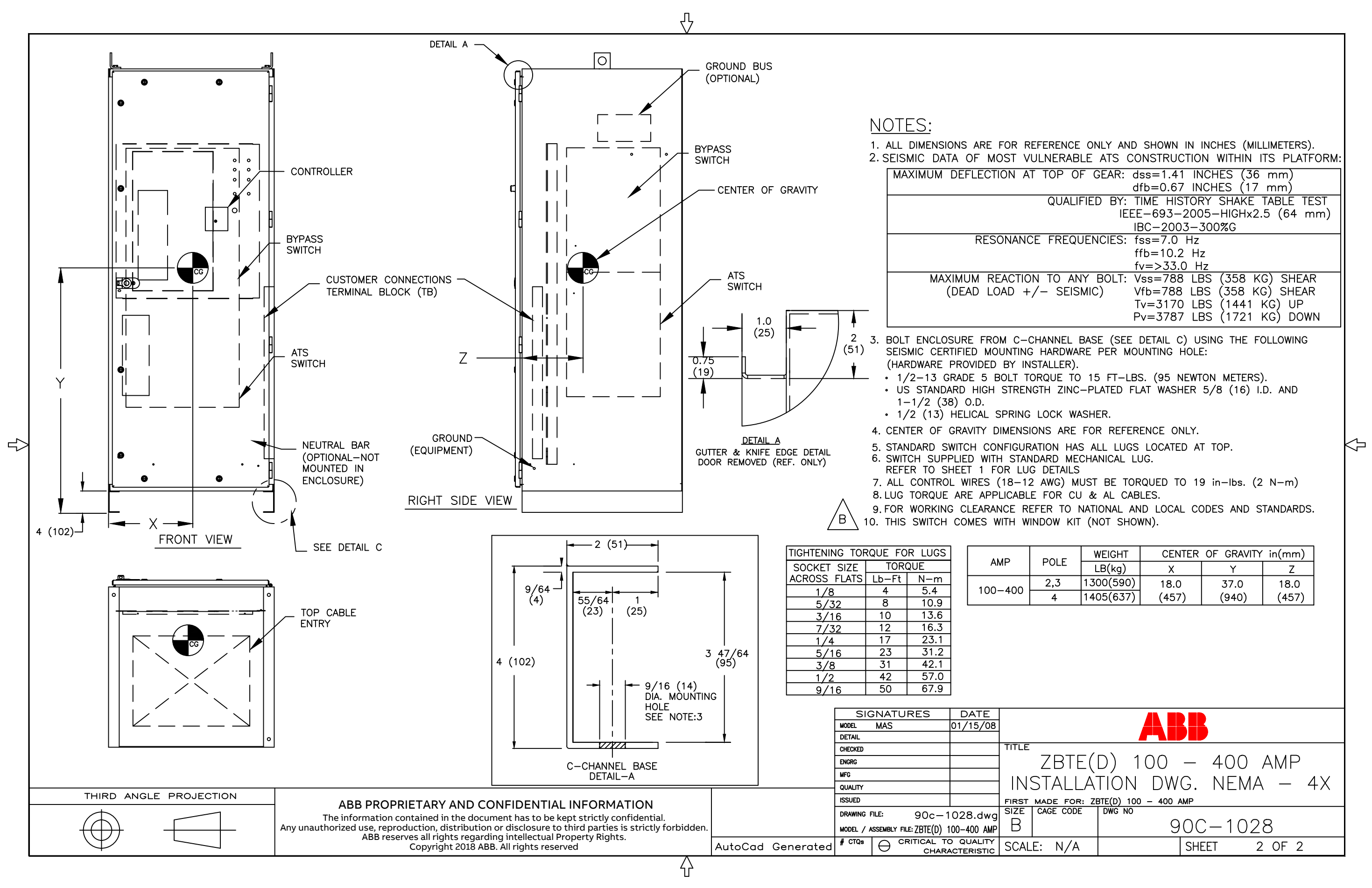


ABB PROPRIETARY AND CONFIDENTIAL INFORMATION
 The information contained in the document has to be kept strictly confidential.
 Any unauthorized use, reproduction, distribution or disclosure to third parties is strictly forbidden.
 ABB reserves all rights regarding intellectual Property Rights.
 Copyright 2018 ABB. All rights reserved

AutoCad Generated



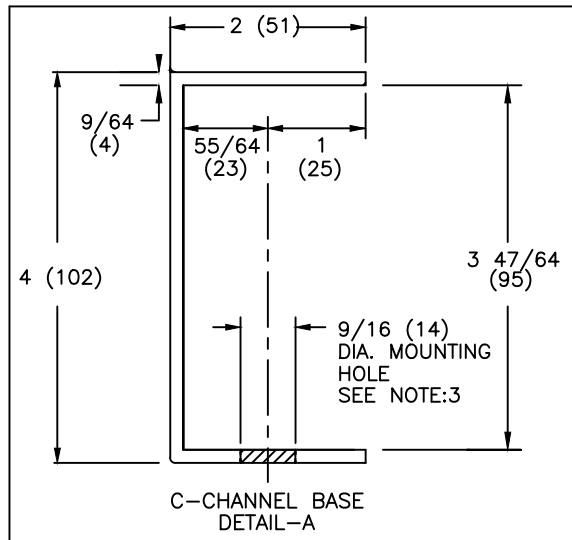
NOTES:

- ALL DIMENSIONS ARE FOR REFERENCE ONLY AND SHOWN IN INCHES (MILLIMETERS).
- SEISMIC DATA OF MOST VULNERABLE ATS CONSTRUCTION WITHIN ITS PLATFORM:

MAXIMUM DEFLECTION AT TOP OF GEAR:	$d_{ss}=1.41$ INCHES (36 mm)
	$d_{fb}=0.67$ INCHES (17 mm)
QUALIFIED BY: TIME HISTORY SHAKE TABLE TEST	
IEEE-693-2005-HIGHx2.5 (64 mm)	
IBC-2003-300%G	
RESONANCE FREQUENCIES: $f_{ss}=7.0$ Hz	
	$f_{fb}=10.2$ Hz
	$f_v > 33.0$ Hz
MAXIMUM REACTION TO ANY BOLT: $V_{ss}=788$ LBS (358 KG) SHEAR	
	(DEAD LOAD +/- SEISMIC)
	$V_{fb}=788$ LBS (358 KG) SHEAR
	$T_v=3170$ LBS (1441 KG) UP
	$P_v=3787$ LBS (1721 KG) DOWN
- BOLT ENCLOSURE FROM C-CHANNEL BASE (SEE DETAIL C) USING THE FOLLOWING SEISMIC CERTIFIED MOUNTING HARDWARE PER MOUNTING HOLE: (HARDWARE PROVIDED BY INSTALLER).
 - 1/2-13 GRADE 5 BOLT TORQUE TO 15 FT-LBS. (95 NEWTON METERS).
 - US STANDARD HIGH STRENGTH ZINC-PLATED FLAT WASHER 5/8 (16) I.D. AND 1-1/2 (38) O.D.
 - 1/2 (13) HELICAL SPRING LOCK WASHER.
- CENTER OF GRAVITY DIMENSIONS ARE FOR REFERENCE ONLY.
- STANDARD SWITCH CONFIGURATION HAS ALL LUGS LOCATED AT TOP.
- SWITCH SUPPLIED WITH STANDARD MECHANICAL LUG. REFER TO SHEET 1 FOR LUG DETAILS
- ALL CONTROL WIRES (18-12 AWG) MUST BE TORQUED TO 19 in-lbs. (2 N-m)
- LUG TORQUE ARE APPLICABLE FOR CU & AL CABLES.
- FOR WORKING CLEARANCE REFER TO NATIONAL AND LOCAL CODES AND STANDARDS.
- THIS SWITCH COMES WITH WINDOW KIT (NOT SHOWN).

SOCKET SIZE ACROSS FLATS	TIGHTENING TORQUE FOR LUGS	
	LB-Ft	N-m
1/8	4	5.4
5/32	8	10.9
3/16	10	13.6
7/32	12	16.3
1/4	17	23.1
5/16	23	31.2
3/8	31	42.1
1/2	42	57.0
9/16	50	67.9

AMP	POLE	WEIGHT LB(kg)	CENTER OF GRAVITY in(mm)		
			X	Y	Z
100-400	2,3	1300(590)	18.0	37.0	18.0
	4	1405(637)	(457)	(940)	(457)



SIGNATURES		DATE
MODEL	MAS	01/15/08
DETAIL		
CHECKED		
ENGRG		
MFG		
QUALITY		
ISSUED		
DRAWING FILE: 90c-1028.dwg		FIRST MADE FOR: ZBTE(D) 100 - 400 AMP
MODEL / ASSEMBLY FILE: ZBTE(D) 100-400 AMP		SIZE CAGE CODE DWG NO
# CTQs	⊕ CRITICAL TO QUALITY CHARACTERISTIC	B

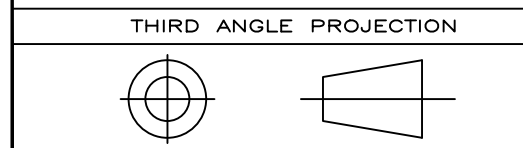
ABB

TITLE
**ZBTE(D) 100 - 400 AMP
INSTALLATION DWG. NEMA - 4X**

90C-1028

SCALE: N/A SHEET 2 OF 2

ABB PROPRIETARY AND CONFIDENTIAL INFORMATION
 The information contained in the document has to be kept strictly confidential.
 Any unauthorized use, reproduction, distribution or disclosure to third parties is strictly forbidden.
 ABB reserves all rights regarding intellectual Property Rights.
 Copyright 2018 ABB. All rights reserved



AutoCad Generated