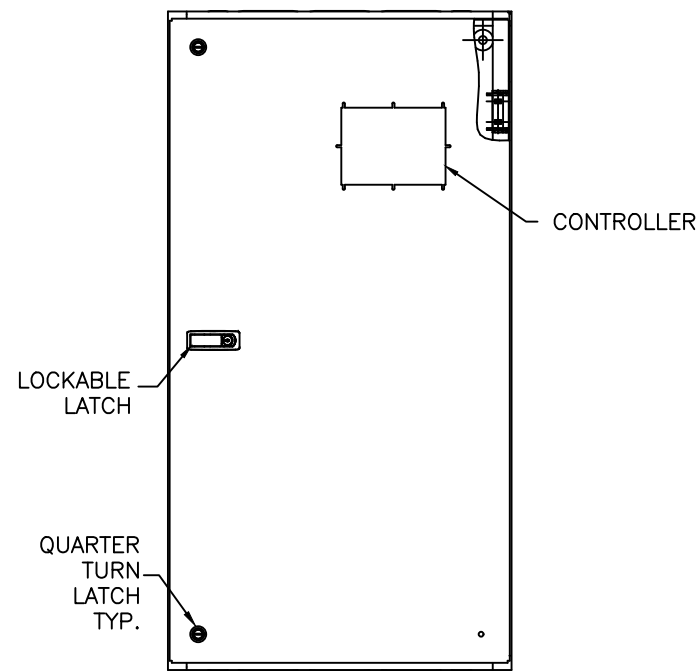
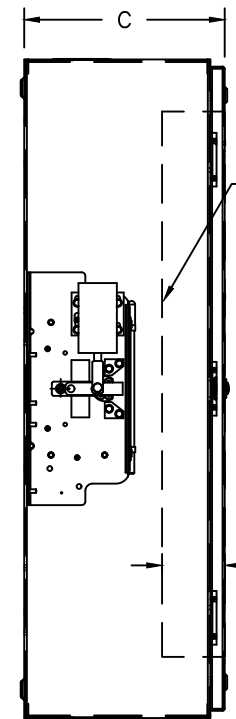


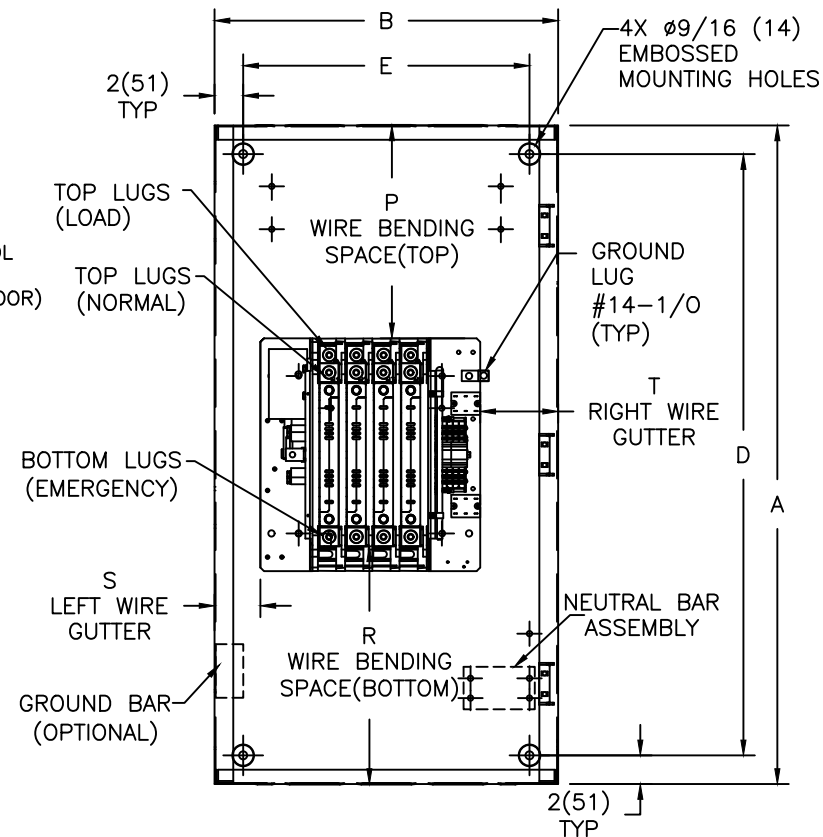
TOP VIEW



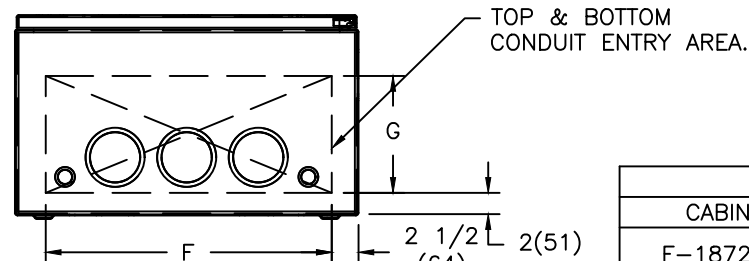
FRONT VIEW



LEFT SIDE VIEW



FRONT VIEW  
(400A 4-POLE  
ATS SHOWN FOR  
REFERENCE)



BOTTOM VIEW

\* WALL MOUNT CABINET DESIGN SHOWN \*

CABINET DIMENSIONS									
CABINET	A	B	C	D	E	F	G	H	J
F-1872MP	46 (1168)	24 (610)	14 (356)	42 (1067)	20 (508)	19 (483)	6 (152)	--	--

REVISIONS			
REV.	DESCRIPTION	DATE	APPROVED
2	C079254 REVISED DRAWING	9/27/19	MW MAS

MODEL	AMPERAGE	NO. POLES	NEMA CABINET	LUG RANGE	WIRE BENDING SPACE		WIRE GUTTERS		
					P(TOP)	R(BOTTOM)	S(LEFT)	T(RIGHT)	
ZTE	40-80	2,3	F-1872MP *	#8-3/0 (8-85mm <sup>2</sup> )	18 (457)	19 (483)	6 1/2 (165)	8 7/8 (225)	
		4						7 1/2 (190)	
	100-150	2,3	F-1872MP *	#6-250 MCM (13-127mm <sup>2</sup> )	18 (457)	19 (483)	6 1/2 (165)	8 7/8 (225)	
		4						7 1/2 (190)	
	225-400	2	3	F-1872MP *	#4-600 MCM (21-304mm <sup>2</sup> )	14 3/4 (375)	14 5/8 (371)	4 7/8 (124)	7 5/8 (194)
									4
3		4	F-1872MP *	#4-600 MCM (21-304mm <sup>2</sup> )	14 3/4 (375)	14 5/8 (371)	4 7/8 (124)	7 5/8 (194)	
								4	4 5/8 (117)
40-80	2	F-1872MP *	#8-3/0 (8-85mm <sup>2</sup> )	14 3/4 (375)	14 5/8 (371)	4 7/8 (124)	7 5/8 (194)		
	3						4 5/8 (117)	5 9/16 (141)	
100-400	2	3	F-1872MP *	#4-600 MCM (21-304mm <sup>2</sup> )	14 3/4 (375)	14 5/8 (371)	4 7/8 (124)	7 5/8 (194)	
								4	4 5/8 (117)
	3	4	F-1872MP *	#4-600 MCM (21-304mm <sup>2</sup> )	14 3/4 (375)	14 5/8 (371)	4 7/8 (124)		7 5/8 (194)
								4	4 5/8 (117)
100-400	2,3	F-1866MP	#4-600 MCM (21-304mm <sup>2</sup> )	15 (342)	13 1/2 (385)	6 (152)	4 1/4 (108)		
	4						6 (152)	2 1/4 (57)	

\* WALL MOUNT CABINET

- REFER SHEET#2 FOR F-1866MP CABINET DETAILS & WEIGHT INFORMATION

NOTES:

1. MATERIAL: UNLESS OTHERWISE NOTED.  
14 GA. (.074) REF. 1018 HRS (F-1872MP & F-1866MP)
2. FINISH: ANSI 61 GRAY
3. ALL DIMENSIONS ARE FOR REFERENCE ONLY. SHOWN IN INCHES (MILLIMETER)
4. CONSTRUCTION PER UL 1008 STANDARD.
5. SWITCH SUPPLIED WITH STANDARD MECHANICAL LUG, RATED FOR AL&CU CABLES.
6. SWITCH IS DESIGNED FOR BOTH TOP AND BOTTOM CABLE ENTRY WITH STANDARD SWITCH CONFIGURATION IS, LOAD AND NORMAL LUGS ON TOP AND EMERGENCY LUGS AT BOTTOM.
7. 100% RATED SOLID/SWITCH NEUTRAL PROVIDED PER THE SWITCH CONFIGURATION.
8. FOR SEISMIC MOUNTING, REFER TO SHEET NO.7
9. COMPRESSION LUGS REQUIRE A LARGER CABINET (66" HIGH X 24" WIDE X 19.5 DEEP).
10. R15(D), R26(D) ARE ONLY AVAILABLE ON 225A AND UP AMPERAGE UNITS.
11. REFER LUG TORQUE LABEL FOR TORQUE INFORMATION.

SIGNATURES	DATE
MODEL EC	01/15/08
DETAIL	
CHECKED	
ENGRG	
MFG	
QUALITY	
ISSUED	
DRAWING FILE: 90c-1034-.dwg	SIZE B
MODEL / ASSEMBLY FILE: ZTE(D/CT) (40-400 AMP)	CAGE CODE
# CTQs	DWG NO
⊖ CRITICAL TO QUALITY CHARACTERISTIC	

TITLE	
<b>ABB</b>	
40-400A ATS LAYOUT ZTE(D) NEMA 1 ENCLOSURE	
FIRST MADE FOR: FOR ZTE(D) 40-400A ATS	
90C-1034	
SCALE: N/A	SHEET 1 OF 7

THIRD ANGLE PROJECTION

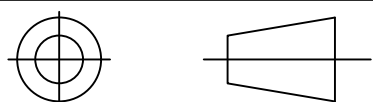
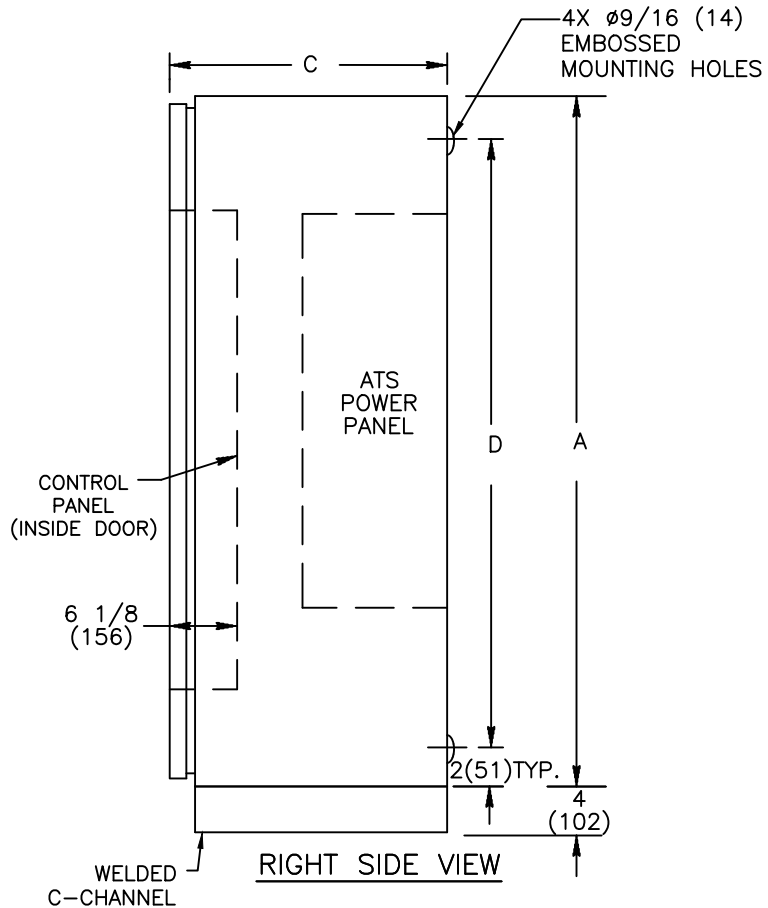
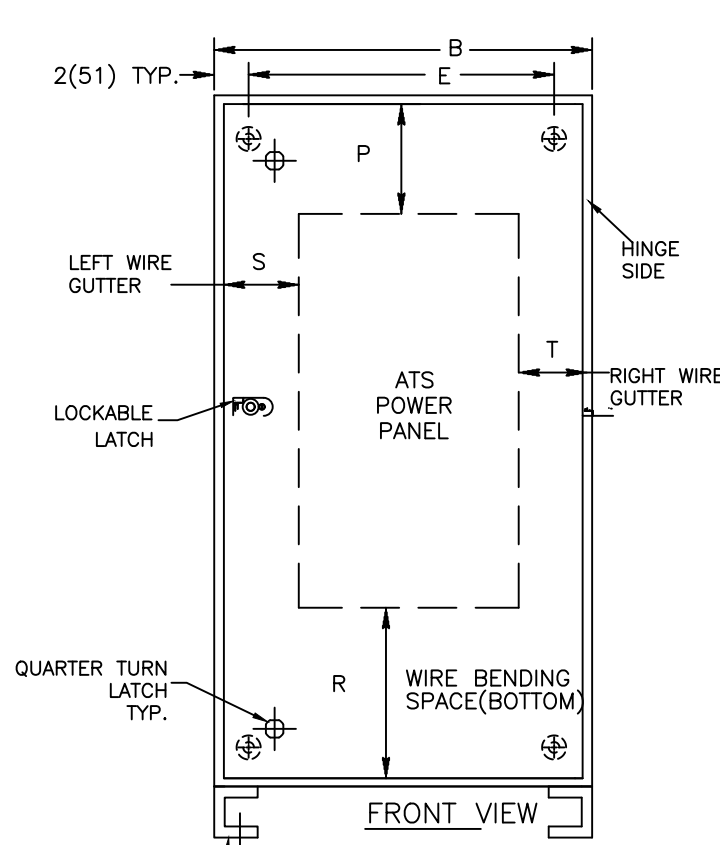


ABB PROPRIETARY AND CONFIDENTIAL INFORMATION

The information contained in the document has to be kept strictly confidential. Any unauthorized use, reproduction, distribution or disclosure to third parties is strictly forbidden. ABB reserves all rights regarding intellectual Property Rights. Copyright 2018 ABB. All rights reserved

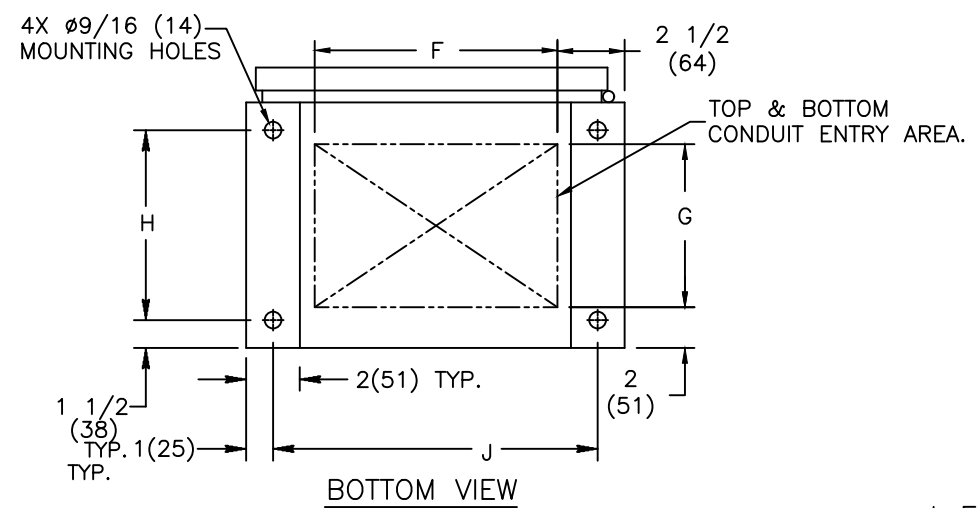
AutoCad Generated



PRODUCT WEIGHT INFORMATION:

AMP	POLE	WEIGHT
		LB(kg)
* 40-150 (ZTS)	2,3	120(59)
	4	126(57)
100-400 (ZTSCT)	3	300(136)
	4	320(145)
* 225-400 (ZTS)	2,3	168(76)
	4	180(82)

\* WALL MOUNT UNITS.



\* F-1866MP CABINET DETAIL SHOWN \*

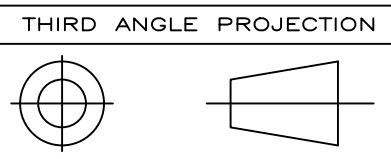
CABINET DIMENSIONS									
CABINET	A	B	C	D	E	F	G	H	J
F-1866MP	62 (1575)	24 (610)	19 1/2 (495)	58 (1473)	20 (508)	19 (483)	14 1/2 (368)	15 1/2 (394)	22 (559)

NOTES:

- REFER SHEET 1 FOR ALL NOTES

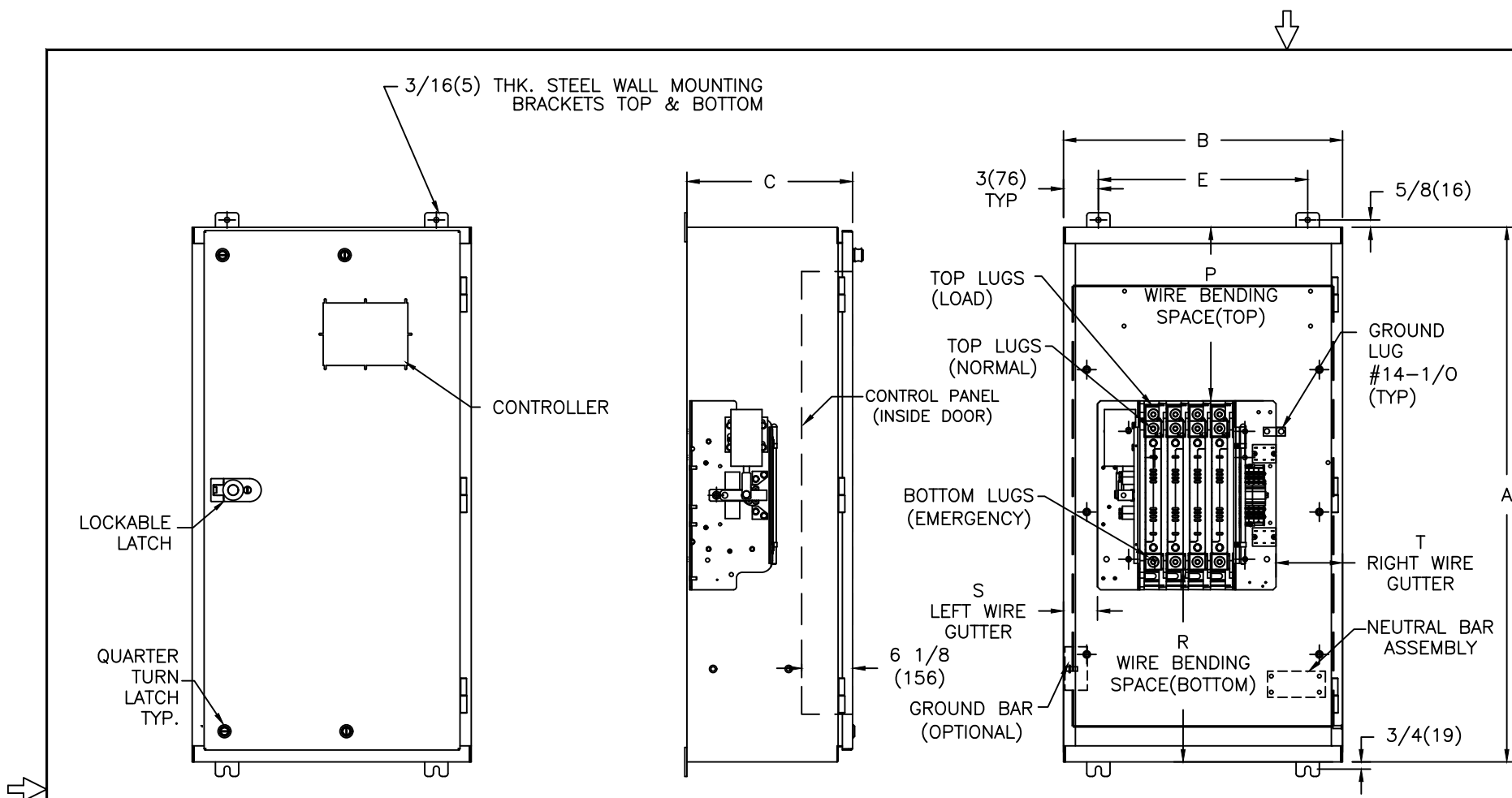
SIGNATURES		DATE
MODEL	EC	01/05/08
DETAIL		
CHECKED		
ENGRG		
MFG		
QUALITY		
ISSUED		
DRAWING FILE:	90c-1034-.dwg	
MODEL / ASSEMBLY FILE:	ZTE(D/CT) (40-400 AMP)	
# CTQs	⊖	CRITICAL TO QUALITY CHARACTERISTIC

TITLE		
<b>ABB</b>		
100-400A ATS LAYOUT ZTECT -NEMA 1 ENCLOSURE		
FIRST MADE FOR: FOR ZTECT 100-400A ATS		
SIZE	CAGE CODE	DWG NO
B		90C-1034
SCALE:	N/A	SHEET 2 OF 7



**ABB PROPRIETARY AND CONFIDENTIAL INFORMATION**  
 The information contained in the document has to be kept strictly confidential.  
 Any unauthorized use, reproduction, distribution or disclosure to third parties is strictly forbidden.  
 ABB reserves all rights regarding intellectual Property Rights.  
 Copyright 2018 ABB. All rights reserved

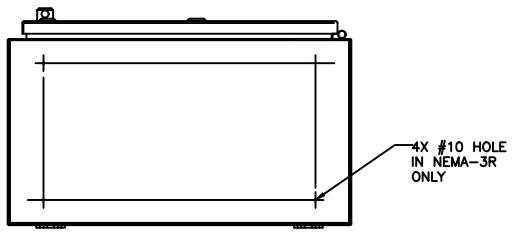
AutoCad Generated



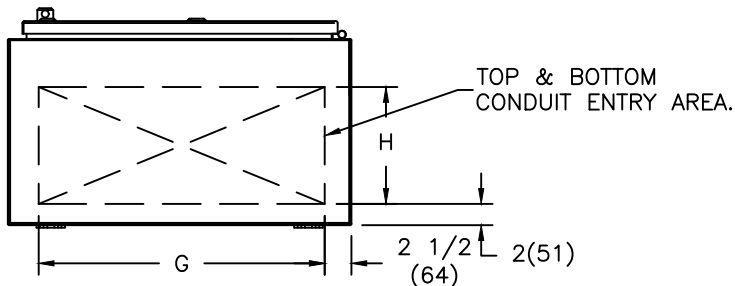
FRONT VIEW

LEFT SIDE VIEW

FRONT VIEW  
(400A 4-POLE  
ATS SHOWN FOR  
REFERENCE)



BOTTOM VIEW



BOTTOM VIEW

\*WALL MOUNT CABINET DESIGN SHOWN\*

CABINET DIMENSIONS								
CABINET	A	B	C	D	E	F	G	H
F-1875MP	46 (1168)	24 (610)	14 1/4 (362)	--	18 (457)	--	19 (483)	6 (152)

MODEL	AMPERAGE	NO. POLES	NEMA CABINET	LUG RANGE	WIRE BENDING SPACE		WIRE GUTTERS		
					P(TOP)	R(BOTTOM)	S(LEFT)	T(RIGHT)	
ZTE	40-80	2,3	F-1875MP*	#8-3/0 (8-85mm <sup>2</sup> )	18 (457)	19 (483)	6 1/2 (165)	8 7/8 (225)	
		4					7 1/2 (190)	7 1/2 (190)	
	100-150	2,3		#6-250 MCM (13-127mm <sup>2</sup> )	18 (457)	19 (483)	6 1/2 (165)	8 7/8 (225)	
		4					7 1/2 (190)	7 1/2 (190)	
	225-400	2		3	#4-600 MCM (21-304mm <sup>2</sup> )	14 3/4 (375)	14 5/8 (371)	4 7/8 (124)	7 5/8 (194)
								4	4 5/8 (117)
3		4	2 3/4 (70)	4 7/8 (124)	7 5/8 (194)	4 5/8 (117)	5 9/16 (141)		
						2 3/4 (70)	5 9/16 (141)		
ZTED	40 - 80	2	F-1875MP*	#8-3/0 (8-85mm <sup>2</sup> )	14 3/4 (375)	14 5/8 (371)	4 7/8 (124)	7 5/8 (194)	
		3					4 5/8 (117)	5 9/16 (141)	
		4					2 3/4 (70)	5 9/16 (141)	
	100-400	2		#4-600 MCM (21-304mm <sup>2</sup> )	14 3/4 (375)	14 5/8 (371)	4 7/8 (124)	7 5/8 (194)	
		3					4 5/8 (117)	5 9/16 (141)	
		4					2 3/4 (70)	5 9/16 (141)	
ZTECT	100-400	2,3	F-1867MP	#4-600 MCM (21-304mm <sup>2</sup> )	15 (381)	13 3/4 (349)	5 (127)	5 3/8 (136)	
		4					3 1/2 (89)	3 1/2 (89)	

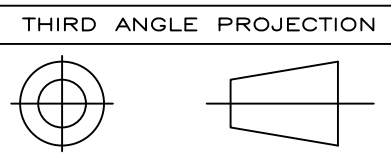
\* WALL MOUNT CABINET  
\* REFER SHEET#4 FOR F-1867MP CABINET DETAILS & WEIGHT INFORMATION

NOTES

- MATERIAL: UNLESS OTHERWISE NOTED.  
14 GA. (.074) REF. 1018 HRS (F-1875MP & F-1867MP)
- FINISH: ANSI 61 GRAY
- ALL DIMENSIONS ARE FOR REFERENCE ONLY. SHOWN IN INCHES (MILLIMETER)
- CONSTRUCTION PER UL 1008 STANDARD.
- SWITCH SUPPLIED WITH STANDARD MECHANICAL LUG, RATED FOR AL&CU CABLES.
- SWITCH IS DESIGNED FOR BOTH TOP AND BOTTOM CABLE ENTRY WITH STANDARD SWITCH CONFIGURATION IS, LOAD AND NORMAL LUGS ON TOP AND EMERGENCY LUGS AT BOTTOM.
- 100% RATED SOLID/SWITCHED NEUTRAL PROVIDED PER THE SWITCH CONFIGURATION.
- FOR SEISMIC MOUNTING, REFER TO SHEET NO.7
- COMPRESSION LUGS REQUIRE A LARGER CABINET (66" HIGH X 24" WIDE X 19.5" DEEP).
- R15(D), R26(D) ARE ONLY AVAILABLE ON 225A AND UP AMPERAGE UNITS.
- REFER LUG TORQUE LABEL FOR TORQUE INFORMATION.

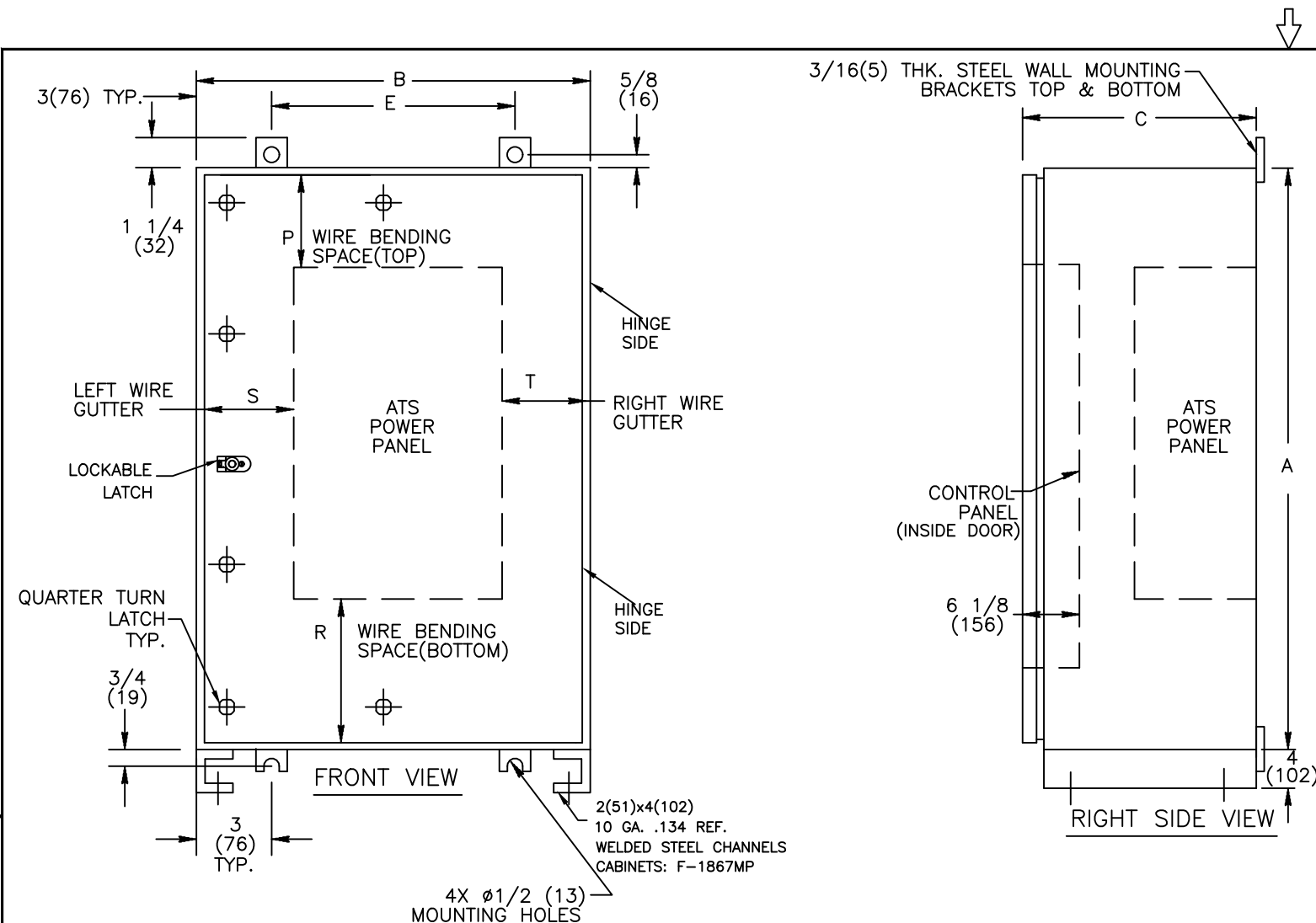
SIGNATURES	DATE
MODEL EC	01/15/08
DETAIL	
CHECKED	
ENGRG	
MFG	
QUALITY	
ISSUED	
DRAWING FILE: 90c-1034.dwg	SIZE B
MODEL / ASSEMBLY FILE: ZTE(D/CT) (40-400 AMP)	CAGE CODE
# CTQs	DWG NO
⊖ CRITICAL TO QUALITY CHARACTERISTIC	

TITLE	
<b>ABB</b>	
40-400A ATS LAYOUT NEMA 3R, 4 & 12 ENCL.	
FIRST MADE FOR: ZTE(D/CT) 40-400A ATS	
90C-1034	
SCALE: N/A	SHEET 3 OF 7



**ABB PROPRIETARY AND CONFIDENTIAL INFORMATION**  
The information contained in the document has to be kept strictly confidential. Any unauthorized use, reproduction, distribution or disclosure to third parties is strictly forbidden. ABB reserves all rights regarding intellectual Property Rights. Copyright 2018 ABB. All rights reserved

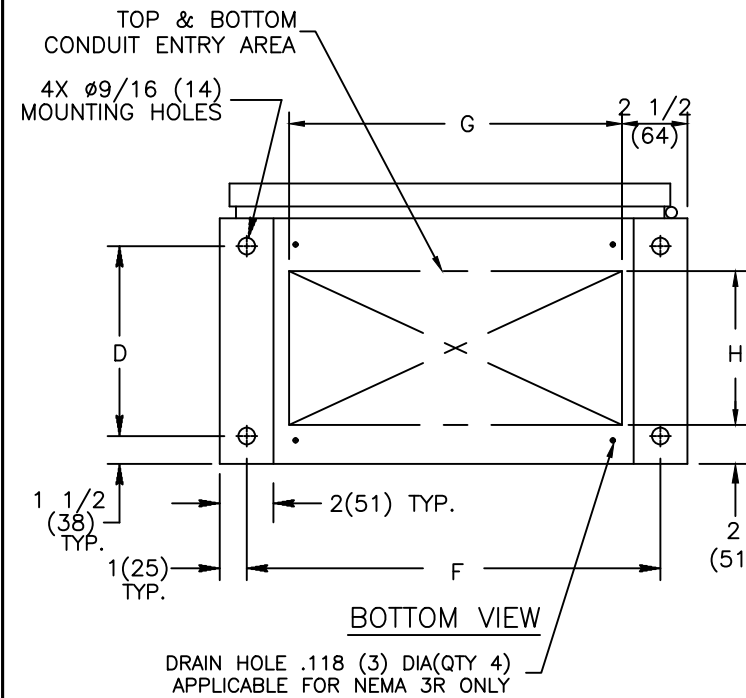
AutoCad Generated



PRODUCT WEIGHT INFORMATION:

AMP	POLE	WEIGHT
		LB(kg)
* 40-150 (ZTS)	2,3	140(64)
	4	150(68)
100-400 (ZTSCT)	3	350(159)
	4	370(168)
* 225-400 (ZTS)	2,3	200(91)
	4	210(95)

\* WALL MOUNT UNITS.



CABINET DIMENSIONS								
CABINET	A	B	C	D	E	F	G	H
F-1867MP	62 (1575)	24 (610)	19 1/2 (495)	15 1/2 (394)	18 (457)	22 (559)	19 (483)	14 1/2 (368)

NOTES

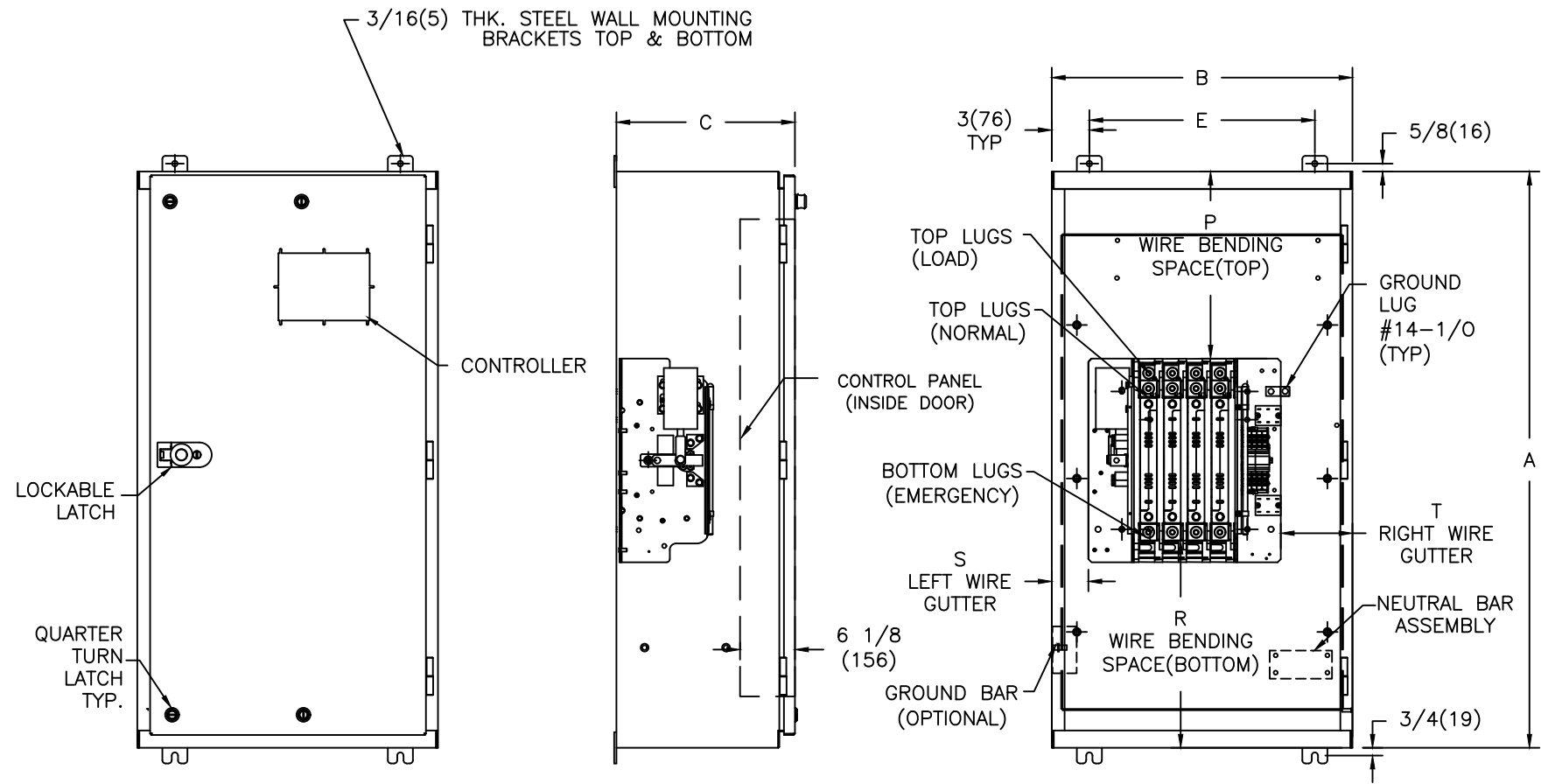
- REFER SHEET 3 FOR ALL NOTES

SIGNATURES		DATE		<b>ABB</b>
MODEL	EC	01/5/08		
DETAIL				
CHECKED				
ENGRG				
MFG				TITLE
QUALITY				40-400A ATS LAYOUT NEMA 3R, 4 & 12 ENCL.
ISSUED				FIRST MADE FOR: ZTE(D/CT) 40-400A ATS
DRAWING FILE:	90c-1034.dwg		SIZE	B
MODEL / ASSEMBLY FILE:	ZTE(D/CT) (40-400 AMP)		CAGE CODE	
			DWG NO	90C-1034
# CTQs	⊖	CRITICAL TO QUALITY CHARACTERISTIC	SCALE:	N/A
AutoCad Generated			SHEET	4 OF 7

THIRD ANGLE PROJECTION

**ABB PROPRIETARY AND CONFIDENTIAL INFORMATION**  
 The information contained in the document has to be kept strictly confidential.  
 Any unauthorized use, reproduction, distribution or disclosure to third parties is strictly forbidden.  
 ABB reserves all rights regarding intellectual Property Rights.  
 Copyright 2018 ABB. All rights reserved

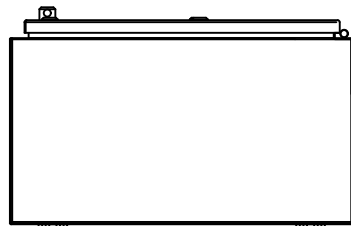




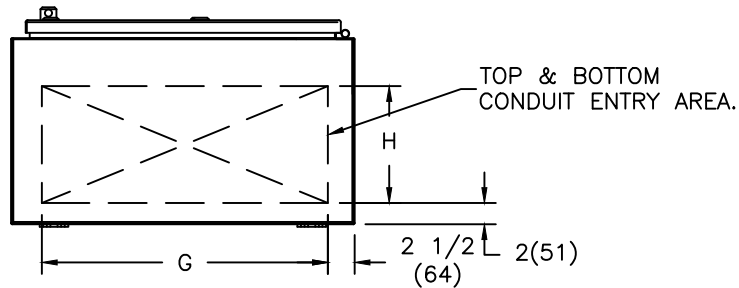
FRONT VIEW

LEFT SIDE VIEW

FRONT VIEW  
(400A 4-POLE  
ATS SHOWN FOR  
REFERENCE)



BOTTOM VIEW



BOTTOM VIEW

\*WALL MOUNT CABINET DESIGN SHOWN\*


CABINET DIMENSIONS								
CABINET	A	B	C	D	E	F	G	H
F-1875MPX	46 (1168)	24 (610)	14 1/4 (362)	--	18 (457)	--	19 (483)	6 (152)

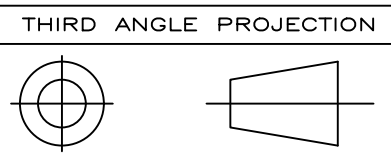
MODEL	AMPERAGE	NO. POLES	NEMA CABINET	LUG RANGE	WIRE BENDING SPACE		WIRE GUTTERS		
					P(TOP)	R(BOTTOM)	S(LEFT)	T(RIGHT)	
ZTE	40-80	2,3	F-1875MPX*	#8-3/0 (8-85mm <sup>2</sup> )	18 (457)	19 (483)	6 1/2 (165)	8 7/8 (225)	
		4					7 1/2 (190)		
	100-150	2,3		#6-250 MCM (13-127mm <sup>2</sup> )	18 (457)	19 (483)	6 1/2 (165)	8 7/8 (225)	
		4					7 1/2 (190)		
	225-400	2		F-1875MPX*	#4-600 MCM (21-304mm <sup>2</sup> )	14 3/4 (375)	14 5/8 (371)	4 7/8 (124)	7 5/8 (194)
		3						4 5/8 (117)	5 9/16 (141)
	4					2 3/4 (70)			
ZTED	40 - 80	2	F-1875MPX*	#8-3/0 (8-85mm <sup>2</sup> )	14 3/4 (375)	14 5/8 (371)	4 7/8 (124)	7 5/8 (194)	
		3					4 5/8 (117)	5 9/16 (141)	
		4					2 3/4 (70)		
	100-400	2		#4-600 MCM (21-304mm <sup>2</sup> )			4 7/8 (124)	7 5/8 (194)	
		3					4 5/8 (117)	5 9/16 (141)	
		4					2 3/4 (70)		
ZTECT	100-400	2,3	F-1867MPX	#4-600 MCM (21-304mm <sup>2</sup> )	15 (381)	13 3/4 (349)	5 (127)	5 3/8 (136)	
		4							3 1/2 (89)

\* WALL MOUNT CABINET  
\* REFER SHEET#6 FOR F-1867MPX CABINET DETAILS & WEIGHT INFORMATION

NOTES

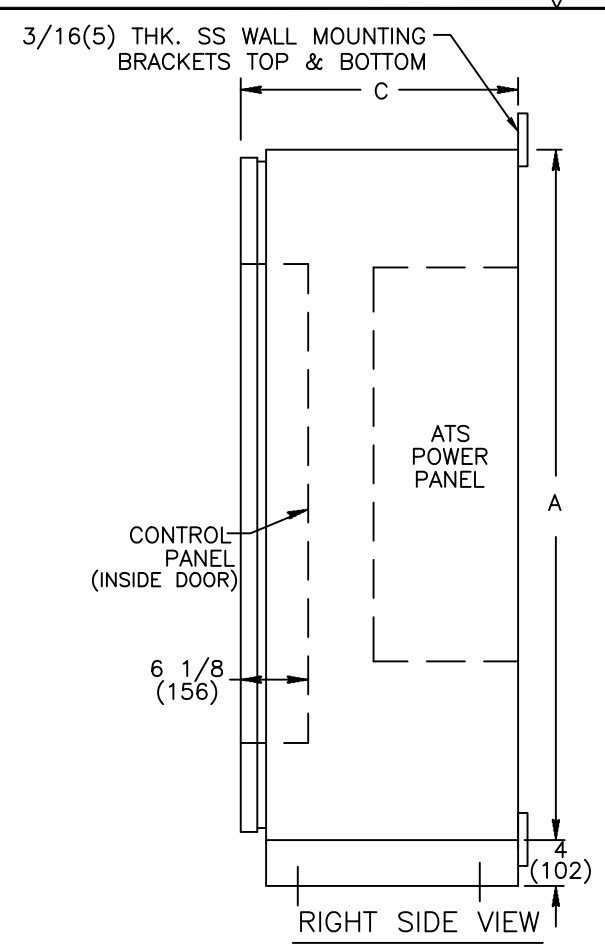
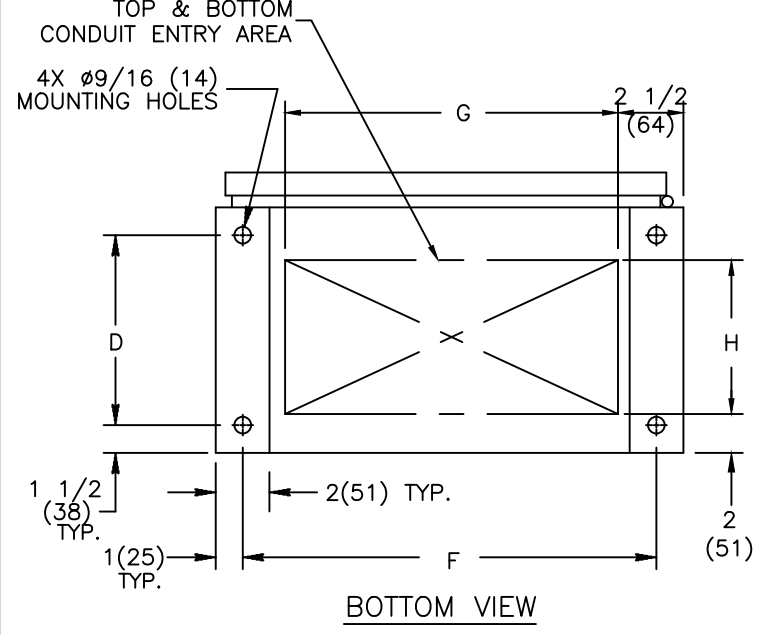
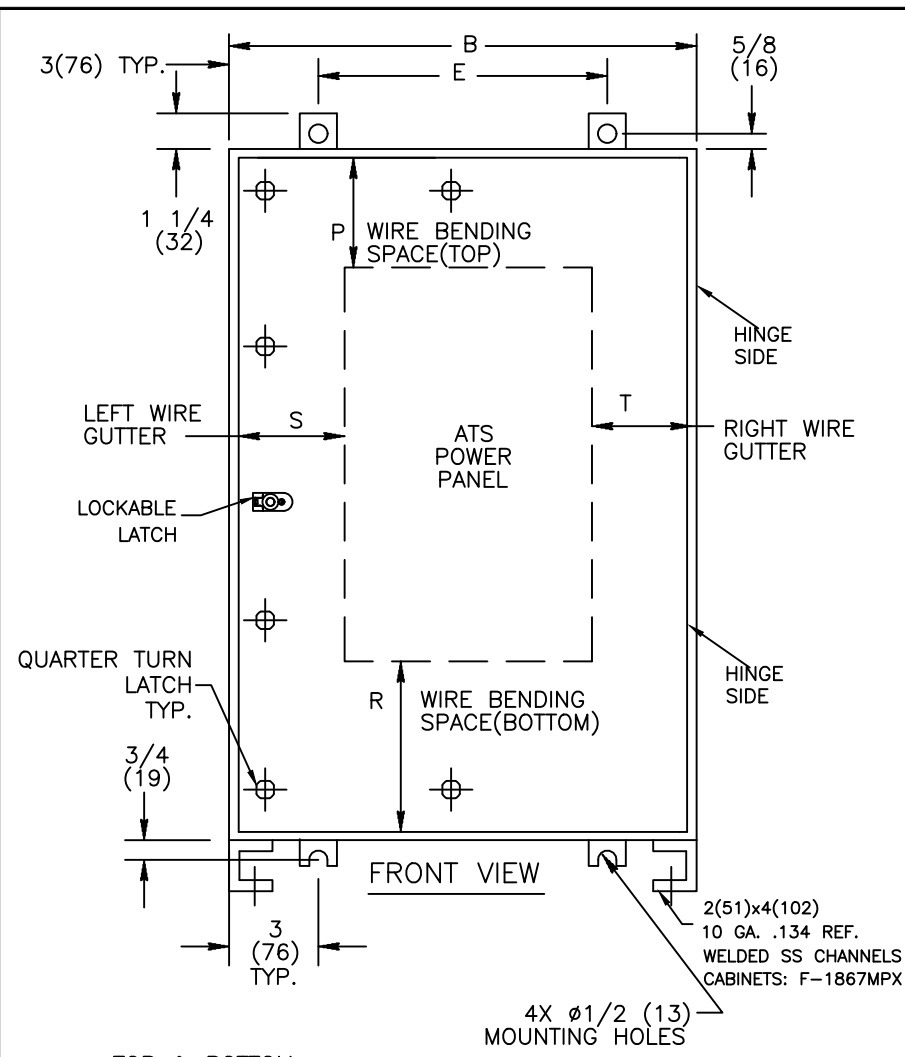
- MATERIAL: UNLESS OTHERWISE NOTED.  
14 GA. (.074) REF. 304SS (F-1875MPX & F-1867MPX)
- FINISH: REFER 0-4095 DOCUMENT
- ALL DIMENSIONS ARE FOR REFERENCE ONLY. SHOWN IN INCHES (MILLIMETER)
- CONSTRUCTION PER UL 1008 STANDARD.
- SWITCH SUPPLIED WITH STANDARD MECHANICAL LUG, RATED FOR AL&CU CABLES.
- SWITCH IS DESIGNED FOR BOTH TOP AND BOTTOM CABLE ENTRY WITH STANDARD SWITCH CONFIGURATION IS, LOAD AND NORMAL LUGS ON TOP AND EMERGENCY LUGS AT BOTTOM.
- 100% RATED SOLID/SWITCHED NEUTRAL PROVIDED PER THE SWITCH CONFIGURATION.
- FOR SEISMIC MOUNTING, REFER TO SHEET NO.7
- COMPRESSION LUGS REQUIRE A LARGER CABINET (66" HIGH X 24" WIDE X 19.5" DEEP).
- R15(D), R26(D) ARE ONLY AVAILABLE ON 225A AND UP AMPERAGE UNITS.
- REFER LUG TORQUE LABEL FOR TORQUE INFORMATION.

SIGNATURES		DATE	TITLE	
MODEL	EC	01/05/08	 40-400A ATS LAYOUT NEMA 4X ENCLOSURES	
DETAIL				
CHECKED				
ENGRG				
MFG				
QUALITY				
ISSUED			FIRST MADE FOR: ZTE(D/CT) 40-400A ATS	
DRAWING FILE:	90c-1034.dwg	SIZE	CAGE CODE	DWG NO
MODEL / ASSEMBLY FILE:	ZTE(D/CT) (40-400 AMP)	B		90C-1034
# CTQs	⊖	CRITICAL TO QUALITY CHARACTERISTIC	SCALE: N/A	SHEET 5 OF 7



**ABB PROPRIETARY AND CONFIDENTIAL INFORMATION**  
 The information contained in the document has to be kept strictly confidential.  
 Any unauthorized use, reproduction, distribution or disclosure to third parties is strictly forbidden.  
 ABB reserves all rights regarding intellectual Property Rights.  
 Copyright 2018 ABB. All rights reserved

AutoCad Generated



CABINET DIMENSIONS								
CABINET	A	B	C	D	E	F	G	H
F-1867MPX	62 (1575)	24 (610)	19 1/2 (495)	15 1/2 (394)	18 (457)	22 (559)	19 (483)	14 1/2 (368)

PRODUCT WEIGHT INFORMATION:

AMP	POLE	WEIGHT
		LB(kg)
* 40-150 (ZTS)	2,3	143(65)
	4	153(69)
100-400 (ZTSCT)	3	356(161)
	4	377(171)
* 225-400 (ZTS)	2,3	204(93)
	4	214(97)

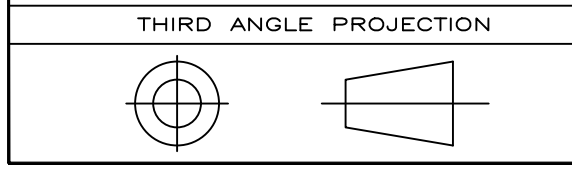
\* WALL MOUNT UNITS.

NOTES

- REFER SHEET 5 FOR ALL NOTES

SIGNATURES		DATE
MODEL	EC	01/05/08
DETAIL		
CHECKED		
ENGRG		
MFG		
QUALITY		
ISSUED		
DRAWING FILE:	90c-1034.dwg	
MODEL / ASSEMBLY FILE:	ZTE(D/CT) (40-400 AMP)	
# CTQs	⊖	CRITICAL TO QUALITY CHARACTERISTIC

<b>ABB</b>		
TITLE 40-400A ATS LAYOUT NEMA 4X ENCLOSURES		
FIRST MADE FOR: ZTE(D/CT) 40-400A ATS		
SIZE	CAGE CODE	DWG NO
B		90C-1034
SCALE:	N/A	SHEET 6 OF 7

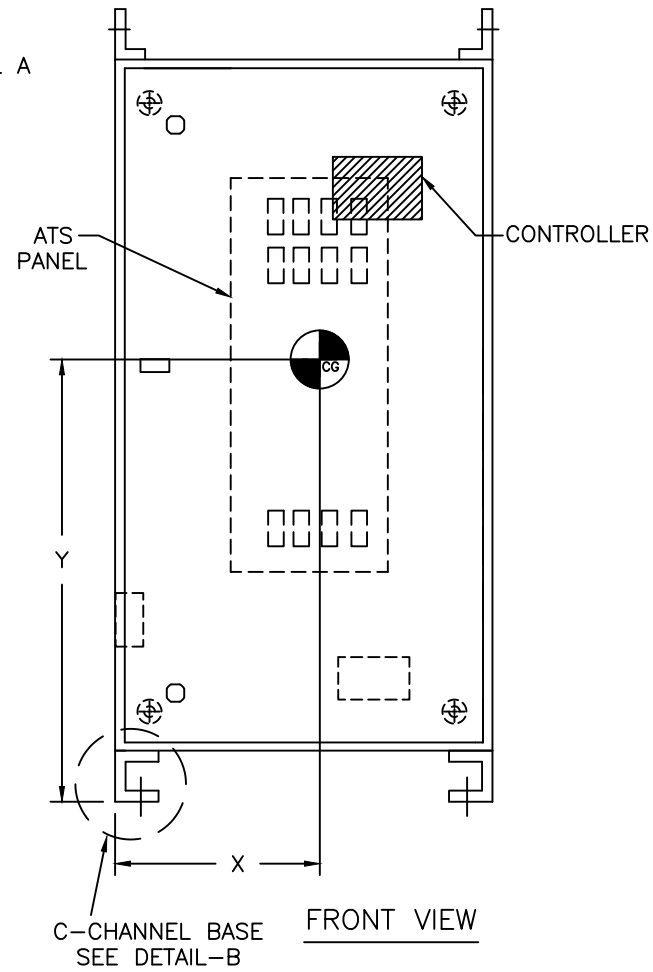
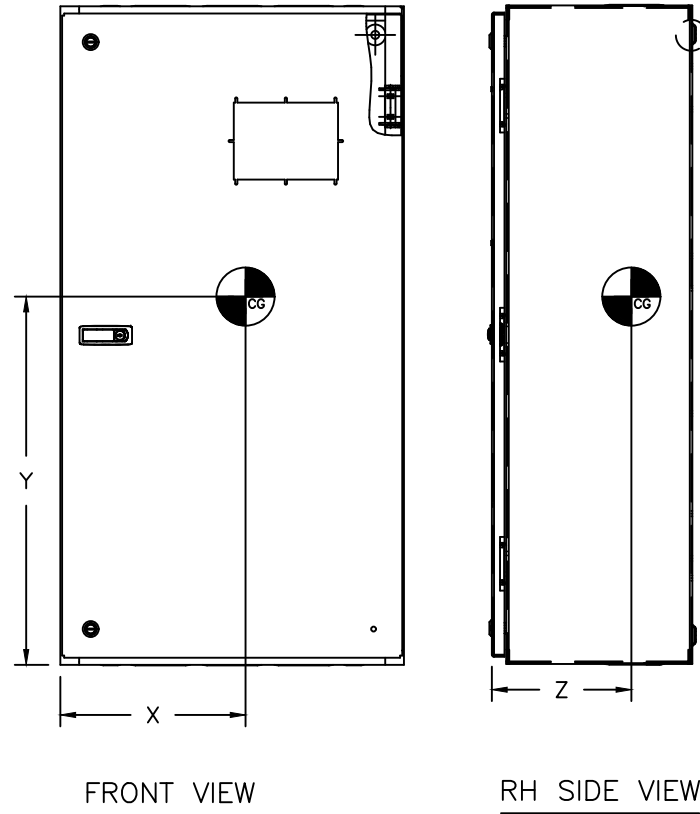


**ABB PROPRIETARY AND CONFIDENTIAL INFORMATION**  
 The information contained in the document has to be kept strictly confidential.  
 Any unauthorized use, reproduction, distribution or disclosure to third parties is strictly forbidden.  
 ABB reserves all rights regarding intellectual Property Rights.  
 Copyright 2018 ABB. All rights reserved

AutoCad Generated

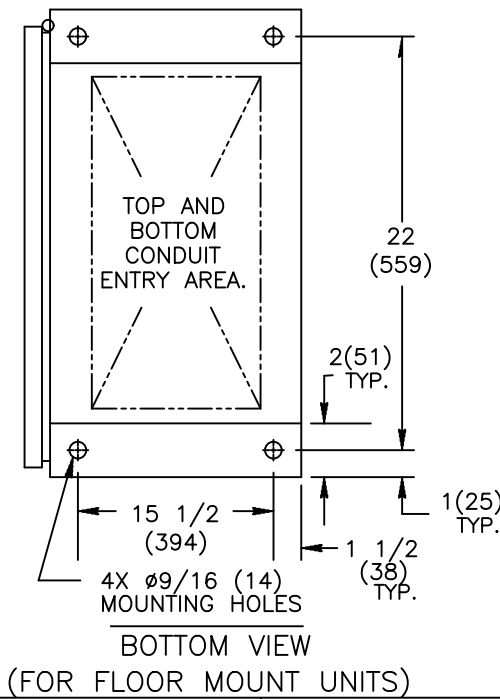
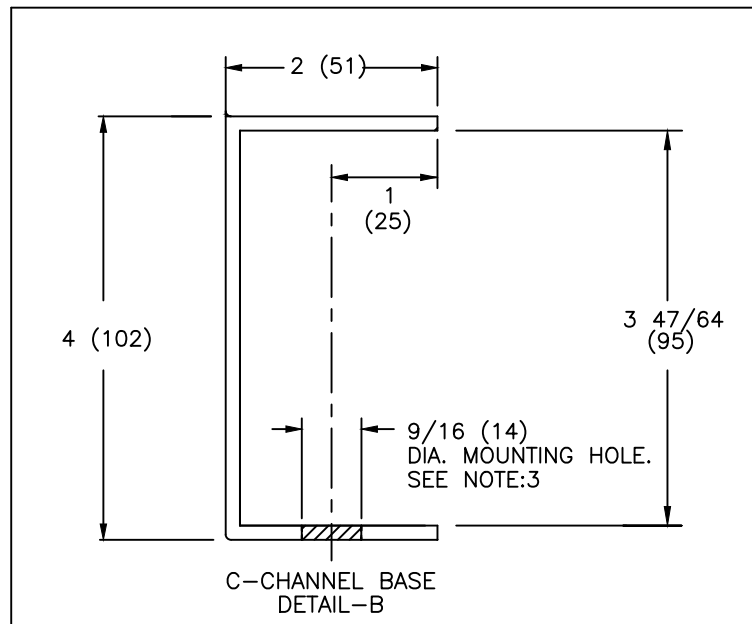
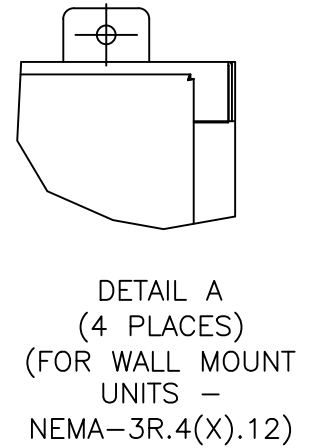
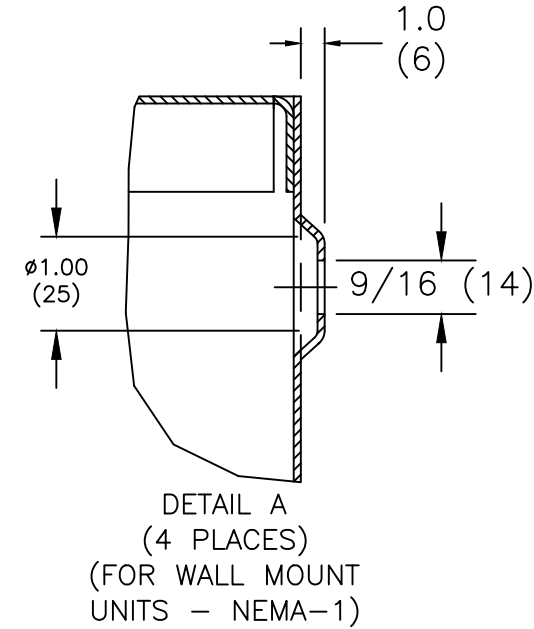
FLOOR MOUNT UNIT

WALL MOUNT UNIT



NOTES:

1. ALL DIMENSIONS ARE FOR REFERENCE ONLY AND SHOWN IN INCHES (MILLIMETERS).
2. BOLT ENCLOSURE FROM C-CHANNEL BASE (SEE DETAIL B) USING THE FOLLOWING SEISMIC CERTIFIED MOUNTING HARDWARE PER MOUNTING HOLE:  
 (HARDWARE PROVIDED BY INSTALLER).  
 \* 1/2-13 GRADE 5 BOLT TORQUE TO 70 FT-LBS. (95 NEWTON METERS).  
 \* 1/2-13 STANDARD FLAT WASHER  
 \* 1/2 (13) HELICAL SPRING LOCK WASHER.
3. CENTER OF GRAVITY DIMENSIONS ARE FOR REFERENCE ONLY.
4. FOR WORKING CLEARANCE REFER TO NATIONAL AND LOCAL CODES AND STANDARDS.



CENTER OF GRAVITY INFORMATION:

AMP	POLE	CENTER OF GRAVITY in(mm)		
		X	Y	Z
* 40-150 (ZTS)	2,3	11.3	9.5	8.0
	4	(287)	(241)	(203)
100-400 (ZTSCT)	3	12.7	36	14
	4	(322)	(914)	(356)
* 225-400 (ZTS)	2,3	11.6	23.0	9.0
	4	(295)	(584)	(229)

\* WALL MOUNT UNITS.

SIGNATURES	DATE
MODEL EC	01/05/08
DETAIL	
CHECKED	
ENGRG	
MFG	
QUALITY	
ISSUED	
DRAWING FILE: 90C-1034.dwg	SIZE B
MODEL / ASSEMBLY FILE: ZTE(D/CT) (40-400 AMP)	CAGE CODE
# CTQs	DWG NO
⊕ CRITICAL TO QUALITY CHARACTERISTIC	

<b>ABB</b>	
TITLE SEISMIC MOUNTING DETAILS 40-400A ATS	
FIRST MADE FOR: ZTE(D/CT) 40-400A ATS	
90C-1034	
SCALE: N/A	SHEET 7 OF 7

**ABB PROPRIETARY AND CONFIDENTIAL INFORMATION**  
 The information contained in the document has to be kept strictly confidential.  
 Any unauthorized use, reproduction, distribution or disclosure to third parties is strictly forbidden.  
 ABB reserves all rights regarding intellectual Property Rights.  
 Copyright 2018 ABB. All rights reserved

AutoCad Generated

THIRD ANGLE PROJECTION

