

ABB PROPRIETARY AND CONFIDENTIAL INFORMATION
 The information contained in the document has to be kept strictly confidential.
 Any unauthorized use, reproduction, distribution or disclosure to third parties is strictly forbidden.
 ABB reserves all rights regarding intellectual Property Rights.
 Copyright 2018 ABB. All rights reserved

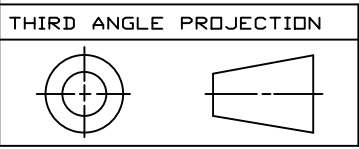
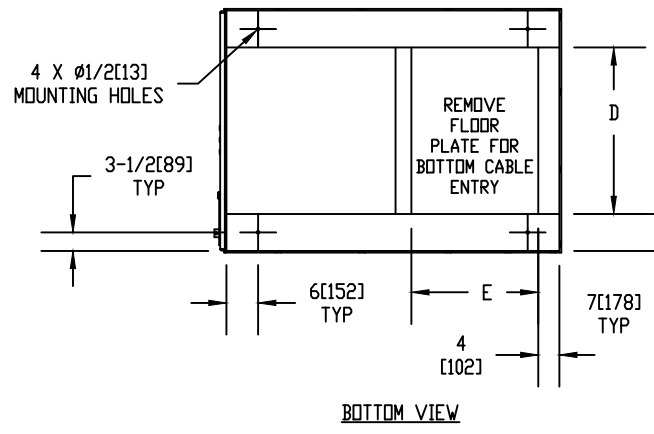
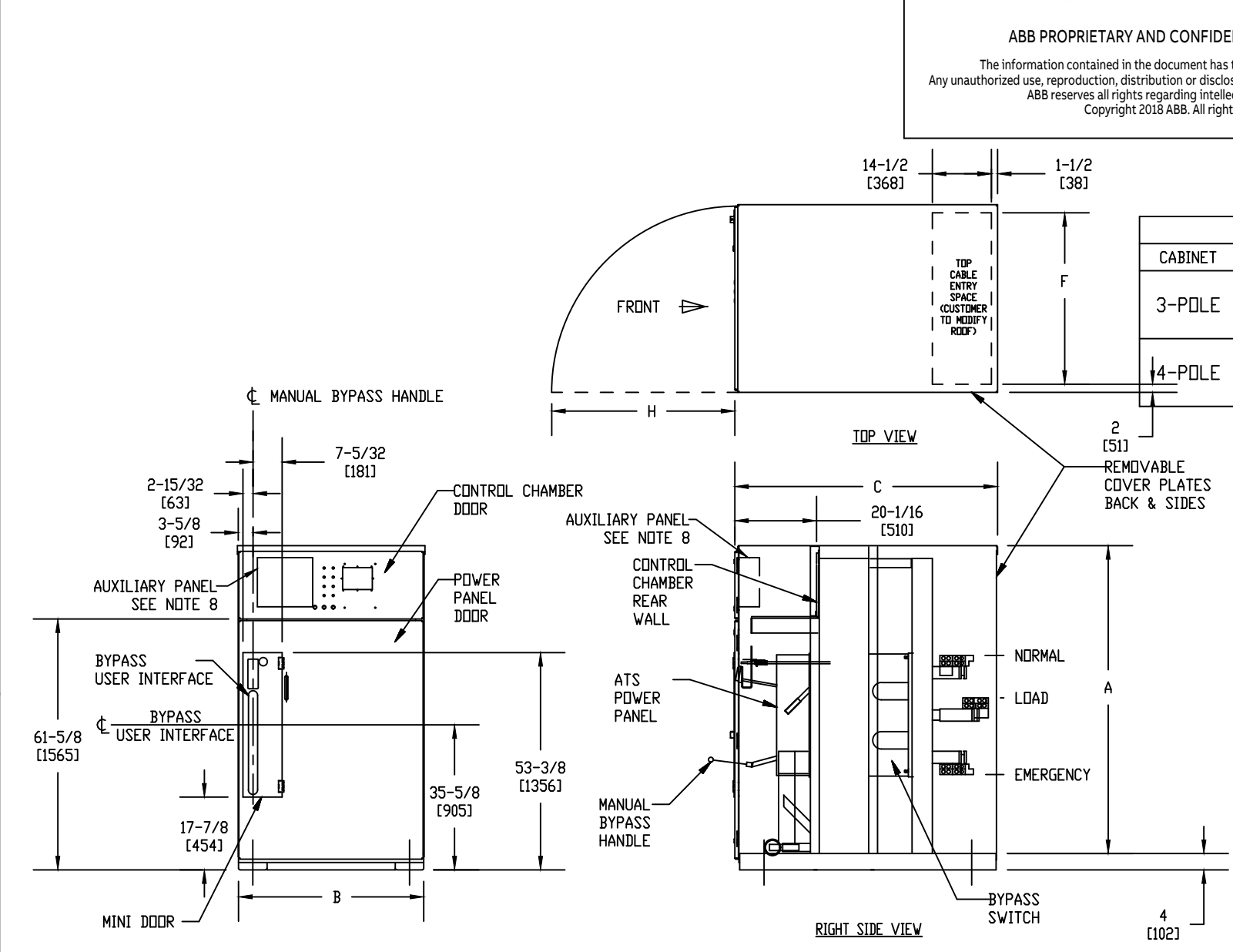
REVISIONS				
REV.	DESCRIPTION	DATE	APPROVED	
1	CD76899 UPDATED REBRANDING	10/14/19	AR	MAS

CABINET	CABINET DIMENSIONS						CABINET REFERENCE DRAWING
	A	B	C	D	E	F	ENCLOSURE KIT
3-POLE	75-5/8 [1921]	40-19/32 [1031]	64-9/16 [1640]	26 [660]	24 [610]	36-1/2 [927]	F-1966MP
4-POLE	75-5/8 [1921]	46-3/32 [1171]	64-9/16 [1640]	31-1/2 [800]	24 [610]	42 [1067]	F-1967MP

RECOMMENDED CLEARANCES	
CABINET	H(FRONT)
3-POLE	40-5/32 [1020]
4-POLE	45-21/32 [1160]

IMPORTANT NOTE:
 LUGS ARE SUPPLIED AS OPTIONAL ACCESSORY ONLY. TYPICAL CONFIGURATION SHOWN FOR REFERENCE ONLY

- NOTES:
- MATERIAL: 10 GA. STEEL .134(3) REF. UNLESS OTHERWISE NOTED
 - FINISH: PER F-7000.
 - LUGS SHOWN FOR TOP CABLE ENTRY MAY BE RESERVED FOR BOTTOM CABLE ENTRY. LUGS ARE SUPPLIED AS OPTION ONLY.
 - ALL DIMENSIONS ARE FOR REFERENCE ONLY AND SHOWN IN INCHES(MILLIMETERS).
 - ALL HANDLING AND MOVEMENT OF CABINET MUST BE DONE IN THE UPRIGHT POSITION ONLY.
 - CONSTRUCTION PER UL-1008.
 - ACCESS TO SIDES AND REAR OF UNIT RECOMMENDED.
 - AUXILIARY PANEL SUPPLIED AS OPTIONAL ONLY.



Part must conform to SI 900000 Sect. 4, Toxicity Procedure

FOR ADDITIONAL INFO REFER TO	SIGNATURES	DATE
APPLIED PRACTICES	MODEL	PK 10/08/08
DIMENSIONS ARE IN INCHES UNLESS OTHERWISE SPECIFIED IN DRAWING	DETAIL	PK 10/08/08
TOLERANCE ON: 1 PL DECIMALS ± 0.0 2 PL DECIMALS ± 0.02 3 PL DECIMALS ± 0.005 ANGLES ± 1.0	CHECKED	.
FRACTIONS ±	ENGRG	.
FINISH	MFG	.
CRITICAL TO QUALITY CHARACTERISTIC	QUALITY	.
	ISSUED	.
	SOLID MODEL: 90C-1035	.

ABB

TITLE TRANSFER SWITCH - NEMA 1 ENCL
 1600-3000 A
 ZBTE(D/CT)

SIZE B DRAWING 90C-1035 REV 1

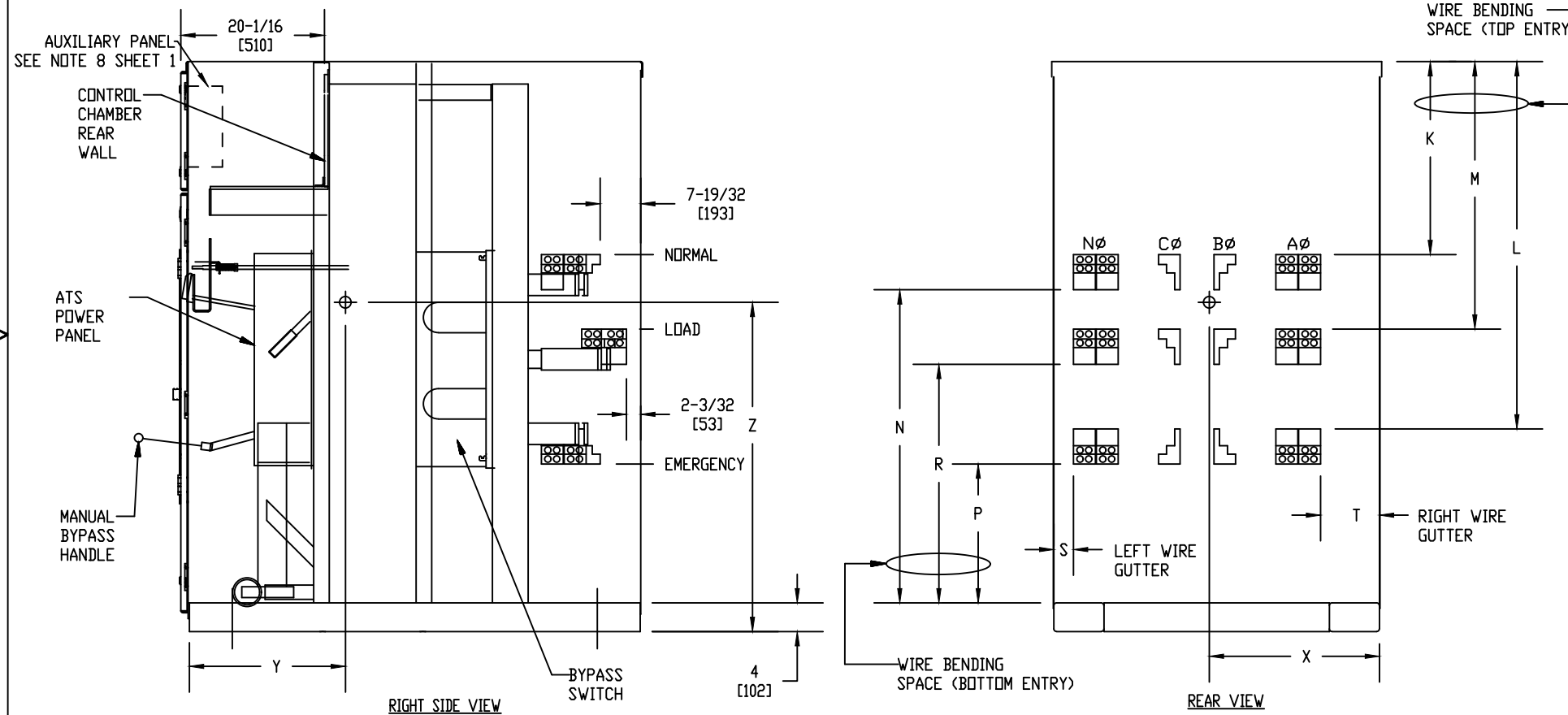
SCALE: 0.030 REF. No: SHEET 1 OF 4



ABB PROPRIETARY AND CONFIDENTIAL INFORMATION

The information contained in the document has to be kept strictly confidential. Any unauthorized use, reproduction, distribution or disclosure to third parties is strictly forbidden. ABB reserves all rights regarding intellectual Property Rights. Copyright 2018 ABB. All rights reserved

Z(B)TS(D/CT) SWITCH	CONTROLLER TYPE	CABINET	LUG RANGE	WIRE BENDING SPACE							
				TOP ENTRY			BOTTOM ENTRY			WIRE GUTTERS	
				K(NDRM)	L(EMERG)	M(LOAD)	N(NDRM)	P(EMERG)	R(LOAD)	S(LEFT)	T(RIGHT)
1600-2600 AMP	MX-350	(4 PORTS/LUG) #2-600 MCM (33-304mm ²)	3-POLE	26-27/32 [685]	51-5/16 [1303]	37-3/8 [949]	43-3/4 [1111]	19-13/32 [493]	33-11/32 [847]	2-3/4 [70]	8-7/32 [209]
			4-POLE	26-15/32 [673]	51-13/16 [1316]	36-7/8 [937]	44-1/4 [1124]	18-29/32 [480]	33-7/8 [860]	3-7/16 [87]	8-29/32 [226]
3-POLE			26-31/32 [685]	48-3/16 [1224]	37-3/8 [949]	43-3/4 [1111]	22-13/32 [569]	33-11/32 [847]	2-3/4 [70]	8-7/32 [209]	
4-POLE			26-15/32 [673]	47-9/16 [1208]	36-7/8 [937]	44-1/4 [1124]	23-3/64 [585]	33-7/8 [860]	3-7/16 [87]	8-29/32 [226]	



CENTER OF GRAVITY					
ZBTE(D/CT) SWITCH	POLES	X	Y	Z	WEIGHT LB(KG)
1600-2600 AMP	3-POLE	20-1/8 [511]	20-11/16 [525]	47 [1194]	4738 [2149]
	4-POLE	22-5/32 [563]	21-5/8 [549]	46-1/8 [1172]	5150 [2336]
3000 AMP	3-POLE	20-3/8 [518]	21-15/16 [557]	46-1/8 [1172]	5336 [2434]
	4-POLE	22-17/32 [572]	22-31/32 [583]	45-3/16 [1148]	5772 [2618]

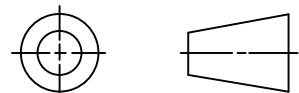
IMPORTANT NOTE:
LUGS ARE SUPPLIED AS OPTIONAL ACCESSORY ONLY. TYPICAL CONFIGURATION SHOWN FOR REFERENCE ONLY

NOTES:

1. ALL CABLE ENTRY IN REAR OF CABINET. NO CABLE ENTRY IN FRONT OF CABINET.
2. WIRE BENDING AND GUTTER SPACES MEASURED AT POINT OF CONNECTION TO LUGS.
3. LUGS SHOWN FOR TOP CABLE ENTRY MAY BE RESERVED FOR BOTTOM CABLE ENTRY. LUGS ARE SUPPLIED AS OPTION ONLY.
4. ALL DIMENSIONS ARE FOR REFERENCE ONLY AND SHOWN IN INCHES(MILLIMETERS).

BYPASS SWITCH SHOWN WITH REAR MECHANICAL LUGS

THIRD ANGLE PROJECTION



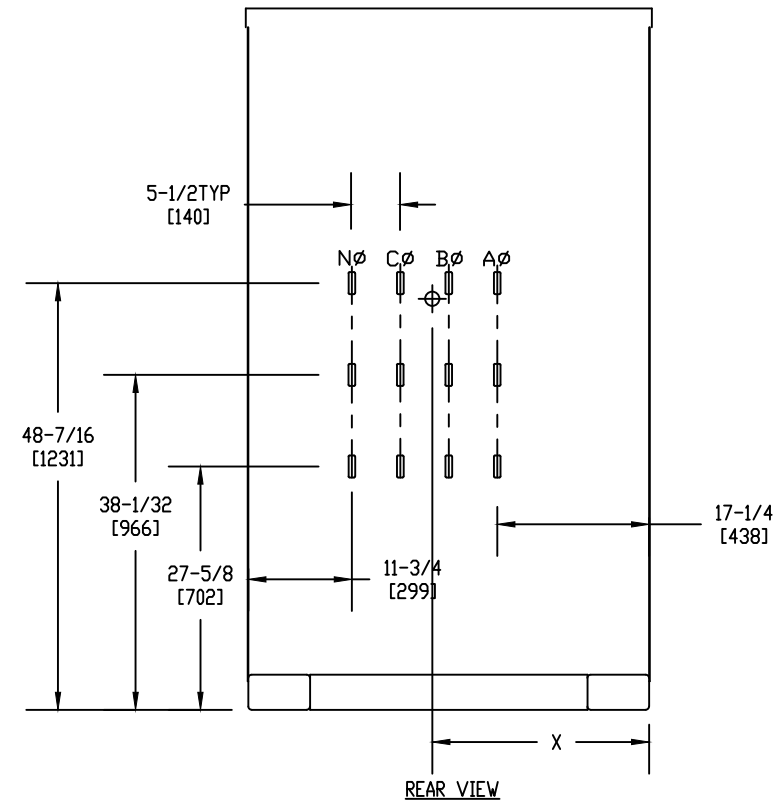
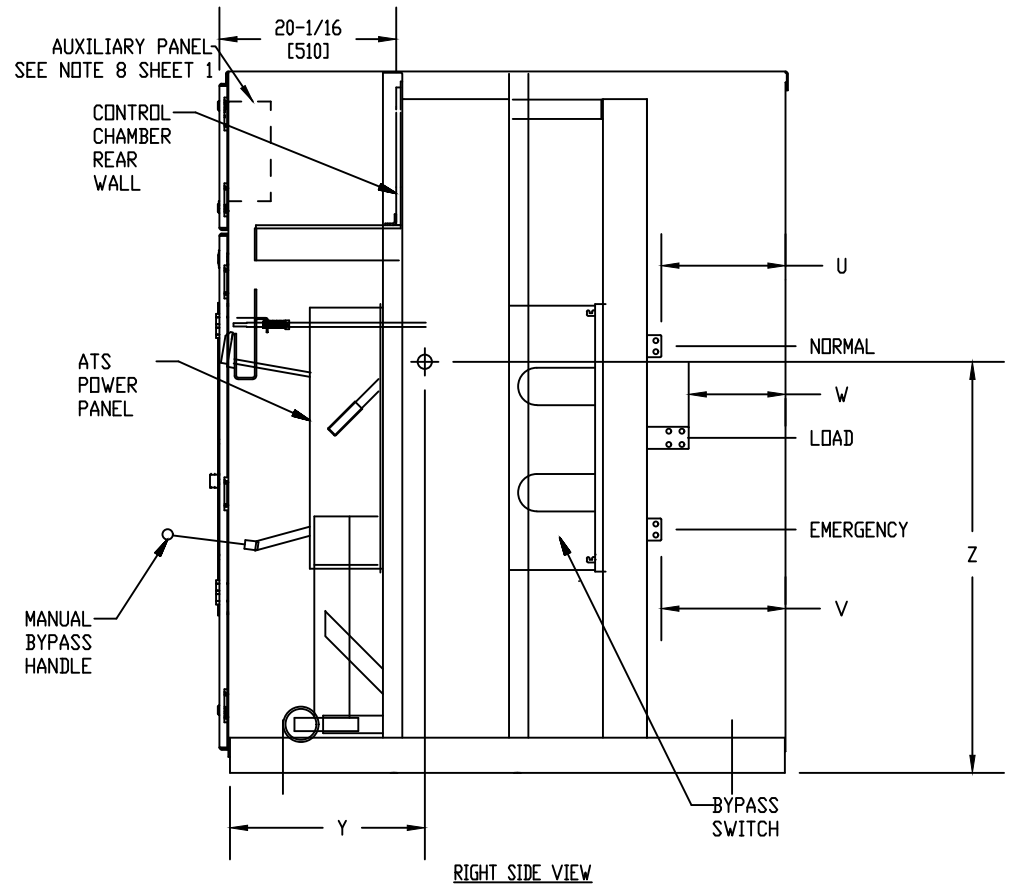
Part must conform to SI 900000 Sect. 4, Toxicity Procedure

FOR ADDITIONAL INFO REFER TO APPLIED PRACTICES	SIGNATURES		DATE
DIMENSIONS ARE IN INCHES UNLESS OTHERWISE SPECIFIED IN DRAWING	MODEL	PK	10/08/08
TOLERANCE IN: 1 PL DECIMALS ± 0.0 2 PL DECIMALS ± 0.02 3 PL DECIMALS ± 0.005 ANGLES ± 1.0	DETAIL	PK	10/08/08
FRACTIONS ±	CHECKED	.	.
FINISH	ENGRG	.	.
CRITICAL TO QUALITY CHARACTERISTIC	MFG	.	.
	QUALITY	.	.
	ISSUED	.	.
	SOLID MODEL: 90C-1035	.	.

TITLE TRANSFER SWITCH - NEMA 1 ENCL 1600-3000 A ZBTE(D/CT)		SIZE	DRAWING	REV 1
		B	90C-1035	
SCALE: 0.050	REF. No: .	SHEET 2 OF 4		



ABB PROPRIETARY AND CONFIDENTIAL INFORMATION
 The information contained in the document has to be kept strictly confidential.
 Any unauthorized use, reproduction, distribution or disclosure to third parties is strictly forbidden.
 ABB reserves all rights regarding intellectual Property Rights.
 Copyright 2018 ABB. All rights reserved

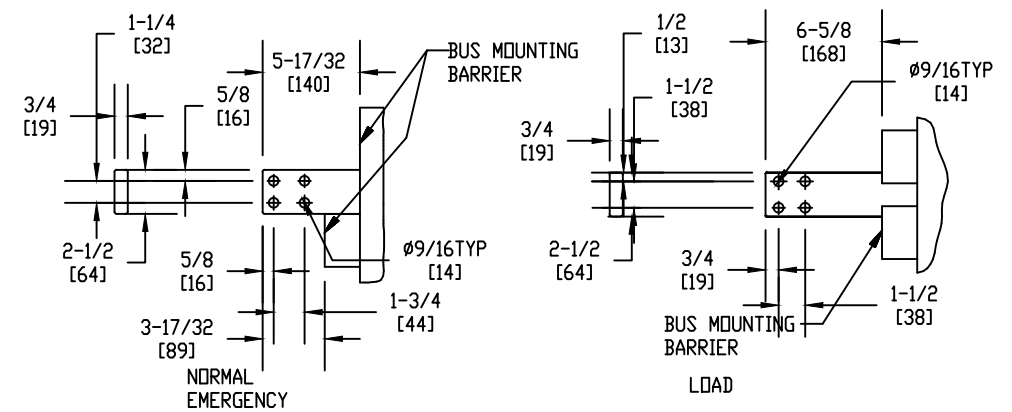


ZBTE(D/CT) SWITCH	CONTROLLER TYPE	CABINET	U(NDRM)	V(EMERG)	W(LOAD)
1600-2600 AMP	MX-350	3-POLE	14-3/32 [358]	14-3/32 [358]	11 [279]
		4-POLE			
3-POLE		15-5/8 [397]	15-5/8 [397]	9-5/32 [233]	
4-POLE					

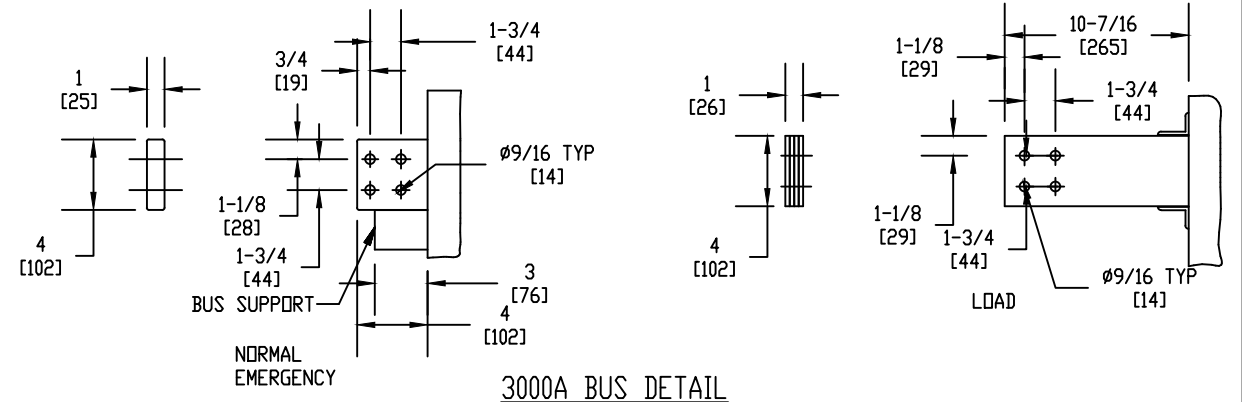
CENTER OF GRAVITY					
ZBTE(D/CT) SWITCH	POLES	X	Y	Z	WEIGHT LB(KG)
1600-2600 AMP	3-POLE	20 [508]	19-3/32 [485]	47-13/32 [1204]	4515 [2048]
	4-POLE	22 [559]	19-27/32 [504]	46-9/16 [1183]	4866 [2207]
3000 AMP	3-POLE	20-7/32 [514]	20 [508]	46-9/16 [1183]	5022 [2278]
	4-POLE	22-5/16 [567]	20-31/32 [533]	45-11/16 [1160]	5330 [2418]

NOTES:
 1. ALL DIMENSIONS ARE FOR REFERENCE ONLY AND SHOWN IN INCHES(MILLIMETERS).

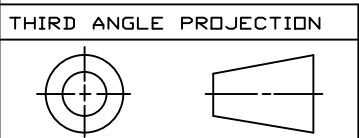
BYPASS SWITCH SHOWN WITH REAR BUS



1600-2600A BUS DETAIL



3000A BUS DETAIL



Part must conform to SI 900000 Sect. 4, Toxicity Procedure

FOR ADDITIONAL INFO REFER TO	SIGNATURES	DATE
APPLIED PRACTICES	MODEL	PK 10/08/08
DIMENSIONS ARE IN INCHES UNLESS OTHERWISE SPECIFIED IN DRAWING	DETAIL	PK 10/08/08
TOLERANCE IN: 1 PL DECIMALS ± 0.0 2 PL DECIMALS ± 0.02 3 PL DECIMALS ± 0.005 ANGLES ± 1.0 FRACTIONS ±	CHECKED	.
FINISH	ENGRG	.
CRITICAL TO QUALITY CHARACTERISTIC	MFG	.
	QUALITY	.
	ISSUED	.
	SOLID MODEL: 90C-1035	.

ABB

TITLE TRANSFER SWITCH - NEMA 1 ENCL
 1600-3000 A
 ZBTE(D/CT)

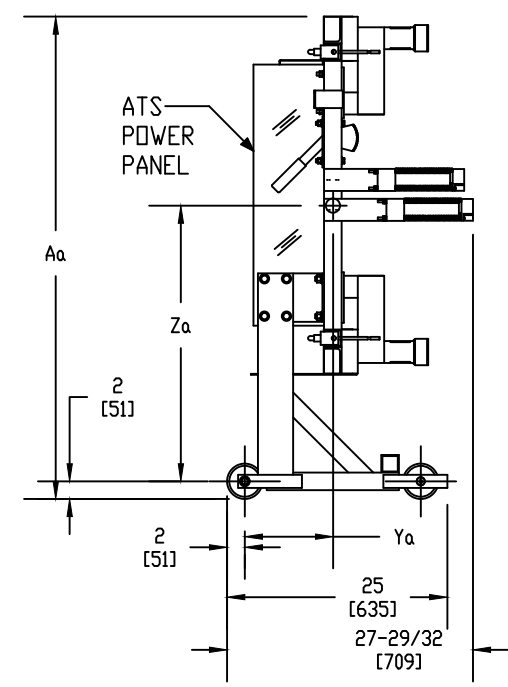
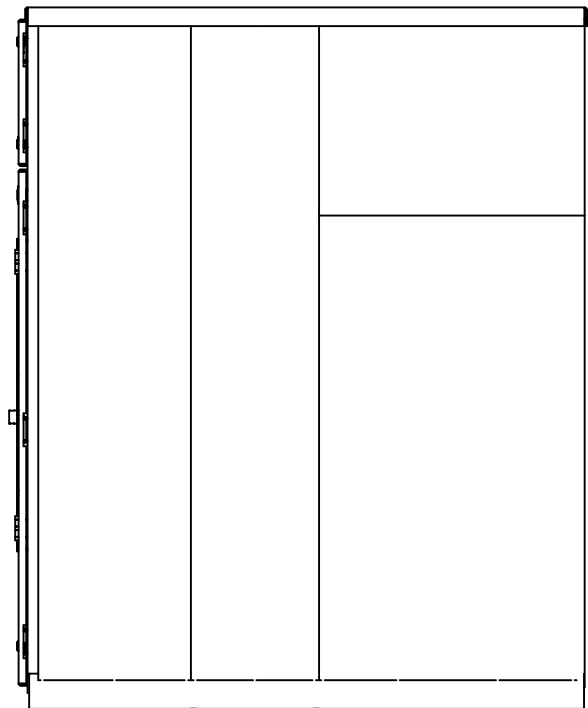
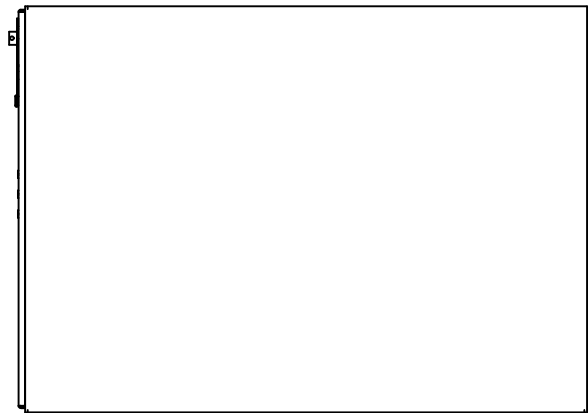
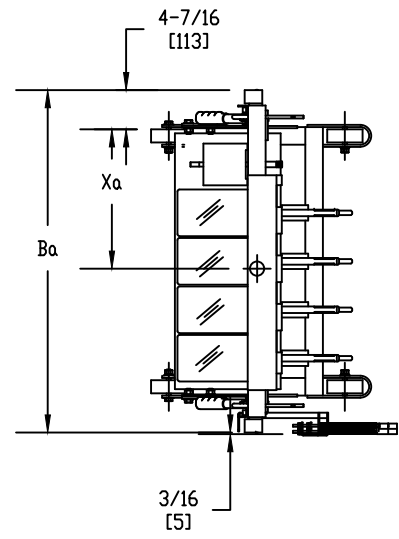
SIZE	DRAWING	90C-1035	REV 1
B			

SCALE: 0.050 REF. No: SHEET 3 OF 4

↓

ABB PROPRIETARY AND CONFIDENTIAL INFORMATION

The information contained in the document has to be kept strictly confidential.
Any unauthorized use, reproduction, distribution or disclosure to third parties is strictly forbidden.
ABB reserves all rights regarding intellectual Property Rights.
Copyright 2018 ABB. All rights reserved



ATS POWER PANEL SHOWN OUT-SIDE THE ENCLOSURE

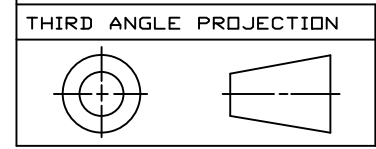
ATS POWER PANEL WITH CART DIMENSIONS

ZBTE(D/CT) SWITCH	POLES	Aa	Ba
1600-2600 AMP	3-POLE	54-25/32 [1391]	33-3/8 [848]
	4-POLE	54-25/32 [1391]	38-7/8 [987]
3000 AMP	3-POLE	56-5/8 [1438]	33-3/8 [848]
	4-POLE	56-5/8 [1438]	38-7/8 [987]

CENTER OF GRAVITY OF ATS POWER PANEL WITH CART

ZBTE(D/CT) SWITCH	POLES	Xa	Ya	Za	WEIGHT LB(KG)
1600-2600 AMP	3-POLE	13 [330]	10-1/8 [257]	29-17/32 [750]	559 [253]
	4-POLE	15-13/16 [402]	10-7/32 [260]	29-7/8 [759]	683 [310]
3000 AMP	3-POLE	13-15/32 [342]	11-5/8 [295]	30-7/32 [767]	725 [329]
	4-POLE	16-9/32 [414]	11-13/16 [300]	30-17/32 [775]	904 [410]

NOTES:
1. ALL DIMENSIONS ARE FOR REFERENCE ONLY AND SHOWN IN INCHES(MILLIMETERS).



Part must conform to SI 900000 Sect. 4, Toxicity Procedure

FOR ADDITIONAL INFO REFER TO APPLIED PRACTICES	SIGNATURES	DATE	ABB
DIMENSIONS ARE IN INCHES UNLESS OTHERWISE SPECIFIED IN THIS DRAWING	MODEL	PK	
TOLERANCE DRAWING 1 PL DECIMALS ± 0.0 2 PL DECIMALS ± 0.02 3 PL DECIMALS ± 0.005 ANGLES ± 1.0 FRACTIONS ± . FINISH CRITICAL TO QUALITY CHARACTERISTIC	DETAIL	PK	TITLE TRANSFER SWITCH - NEMA 1 ENCL
	CHECKED	.	1600-3000 A
	ENGRG	.	ZBTE(D/CT)
	MFG	.	SIZE B
	QUALITY	.	DRAWING
	ISSUED	.	90C-1035
	SOLID MODEL: 90C-1035	.	REV 1
			SCALE: 0.050
			REF. No: .
			SHEET 4 OF 4