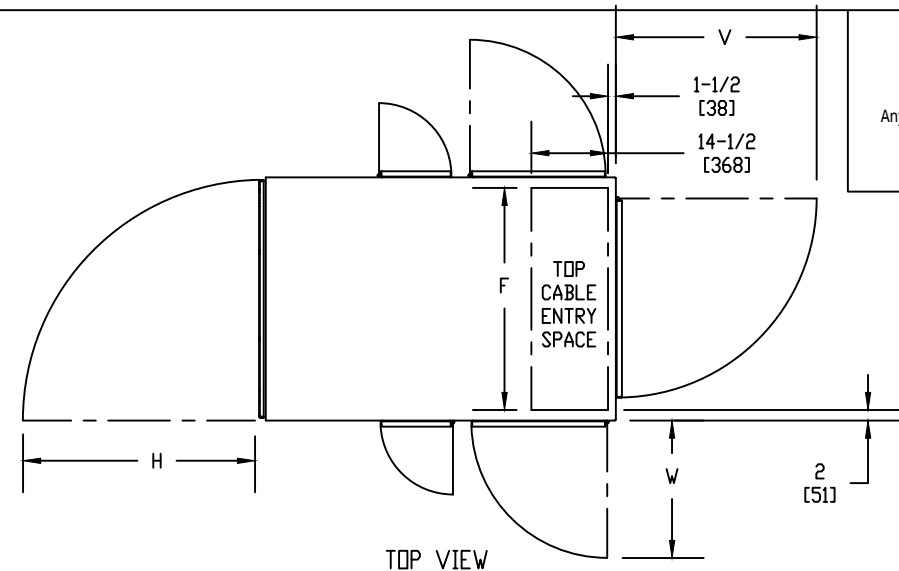


**ABB PROPRIETARY AND CONFIDENTIAL INFORMATION**  
 The information contained in the document has to be kept strictly confidential. Any unauthorized use, reproduction, distribution or disclosure to third parties is strictly forbidden. ABB reserves all rights regarding intellectual Property Rights. Copyright 2018 ABB. All rights reserved.

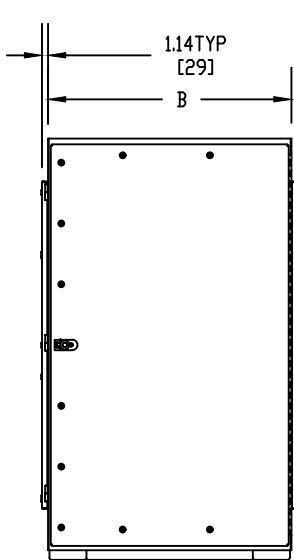
REVISIONS				
REV.	DESCRIPTION	DATE	APPROVED	
1	CO76899 UPDATED REBRANDING	10/14/19	AR	MAS



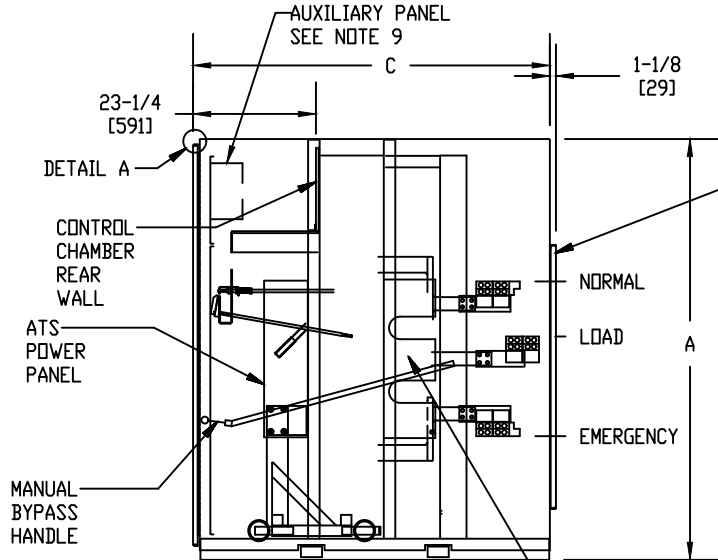
CABINET	CABINET DIMENSIONS						CABINET REFERENCE DRAWING
	A	B	C	D	E	F	ENCLOSURE KIT
3-POLE	75-5/8 [1921]	40-17/32 [1030]	67-17/32 [1715]	26 [660]	24 [610]	36-1/2 [927]	F-1978MP
4-POLE	75-5/8 [1921]	46-1/32 [1169]	67-17/32 [1715]	31-1/2 [800]	24 [610]	42 [1067]	F-1977MP

CABINET	RECOMMENDED CLEARANCES		
	H(FRONT)	V(REAR)	W(SIDE)
3-POLE	40-5/32 [1020]	34-3/16 [868]	25-11/16 [652]
4-POLE	45-21/32 [1160]	39-11/16 [1008]	25-11/16 [652]

- NOTES:
- MATERIAL:  
10 GA. STEEL .134(3) REF. UNLESS OTHERWISE NOTED
  - FINISH: PER F-7000.
  - LUGS SHOWN FOR TOP CABLE ENTRY MAY BE RESERVED FOR BOTTOM CABLE ENTRY. LUGS ARE SUPPLIED AS OPTION ONLY.
  - ALL DIMENSIONS ARE FOR REFERENCE ONLY AND SHOWN IN INCHES(MILLIMETERS).
  - ALL HANDLING AND MOVEMENT OF CABINET MUST BE DONE IN THE UPRIGHT POSITION ONLY.
  - ALL SIDE AND REAR DOOR/PANELS SHALL HAVE GUTTER AND KNIFE EDGE FLANGES, AND HAVE HINGES ON THE RIGHT HAND SIDE.
  - CONSTRUCTION PER UL-1008.
  - ACCESS TO SIDES AND REAR OF UNIT RECOMMENDED.
  - AUXILIARY PANEL SUPPLIED AS OPTIONAL ONLY.

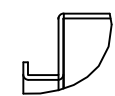


FRONT VIEW



RIGHT SIDE VIEW

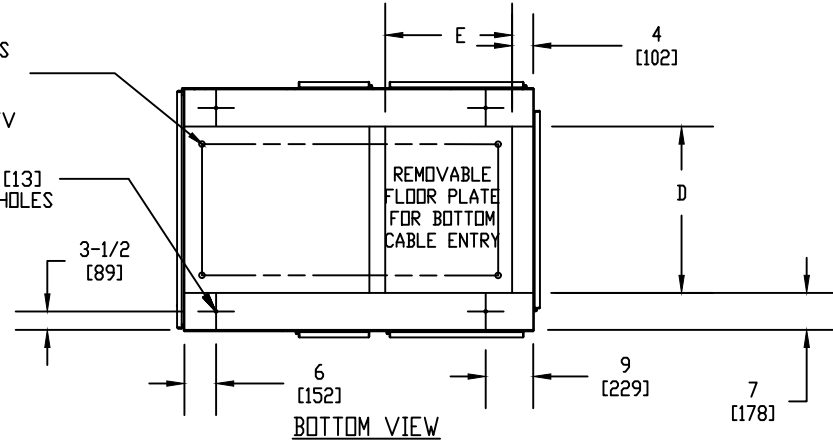
GASKETED COVER PLATES  
12 GA. .109[3] REF. BACK AND SIDES



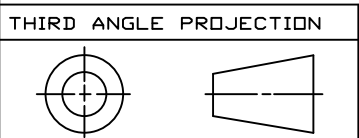
DETAIL A  
GUTTER & KNIFE EDGE DETAIL DOOR REMOVED (REF. ONLY)

DRAIN HOLES Ø.118 (QTY 4) PLUG HOLES FOR NEMA 3R & 12 WITH SCREW PIN N80P15004B6 AND RTV

4 X Ø1/2 [13] MOUNTING HOLES



BOTTOM VIEW



THIRD ANGLE PROJECTION

Part must conform to SI 900000 Sect. 4, Toxicity Procedure

FOR ADDITIONAL INFO REFER TO APPLIED PRACTICES	SIGNATURES		DATE
DIMENSIONS ARE IN INCHES UNLESS OTHERWISE SPECIFIED IN DRAWING	MODEL	PK	10/13/08
TOLERANCE ON: 1 PL DECIMALS ± 0.0 2 PL DECIMALS ± 0.02 3 PL DECIMALS ± 0.005 ANGLES ± 1.0	DETAIL	PK	10/13/08
FRACTIONS ±	CHECKED	.	.
FINISH	ENGRG	.	.
CRITICAL TO QUALITY CHARACTERISTIC	MFG	.	.
	QUALITY	.	.
	ISSUED	.	.
	SOLID MODEL: 90C-1037	.	.

**ABB**

TITLE: TRANSFER SWITCH - NEMA 3R, 4, 12 ENCL.  
1600-3000 A  
ZBTE(D/CT)

SIZE: DRAWING B  
90C-1037  
REV 1

SCALE: 0.030 REF. No: SHEET 1 OF 4



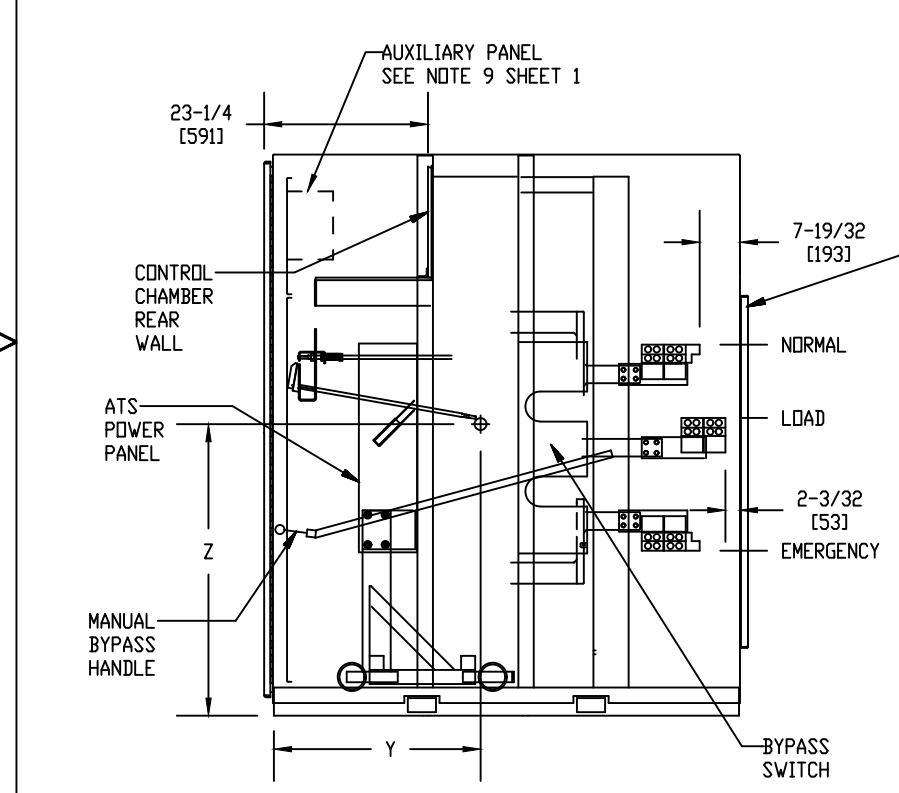
ABB PROPRIETARY AND CONFIDENTIAL INFORMATION

The information contained in the document has to be kept strictly confidential. Any unauthorized use, reproduction, distribution or disclosure to third parties is strictly forbidden. ABB reserves all rights regarding intellectual Property Rights. Copyright 2018 ABB. All rights reserved

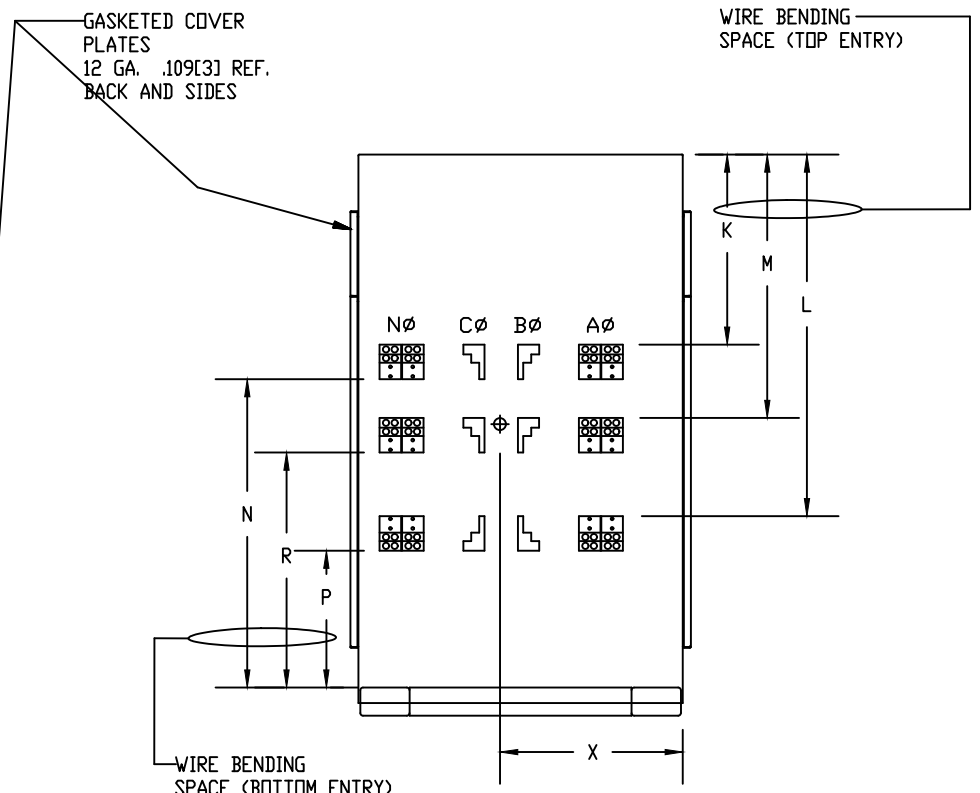
Z(B)TS(D/CT) SWITCH	CONTROLLER TYPE	CABINET	LUG RANGE	WIRE BENDING SPACE							
				TOP ENTRY			BOTTOM ENTRY			WIRE GUTTERS	
				K(NORM)	L(EMERG)	M(LOAD)	N(NORM)	P(EMERG)	R(LOAD)	S(LEFT)	T(RIGHT)
1600-2600 AMP	MX-350	3-POLE	(4 PORTS/LUG) #2-600 MCM (33-304mm <sup>2</sup> )	26-31/32 [685]	51-5/16 [1303]	37-3/8 [949]	43-3/4 [1111]	19-13/32 [493]	33-11/32 [847]	2-3/4 [70]	8-7/32 [209]
		4-POLE		26-15/32 [673]	51-13/16 [1316]	36-7/8 [937]	44-1/4 [1124]	18-29/32 [480]	33-7/8 [860]	3-7/16 [87]	8-29/32 [226]
3-POLE		(4 PORTS/LUG) #4-750 MCM	26-31/32 [685]	48-3/16 [1224]	37-3/8 [949]	43-3/4 [1111]	22-13/32 [569]	33-11/32 [847]	2-3/4 [70]	8-7/32 [209]	
4-POLE			26-15/32 [673]	47-9/16 [1208]	36-7/8 [937]	44-1/4 [1124]	23-3/64 [585]	33-7/8 [860]	3-7/16 [87]	8-29/32 [226]	

ZBTE(D/CT) SWITCH	CABINET	CENTER OF GRAVITY			WEIGHT LBS(KG)
		X	Y	Z	
1600 - 2600 AMP	3 POLE	20-5/32 [512]	32-1/8 [816]	37-11/32 [949]	3237 [1468]
	4 POLE	22-31/32 [583]	32-5/16 [821]	37-1/4 [946]	3664 [1662]
3000A	3 POLE	20-7/16 [519]	32-23/32 [831]	37-5/32 [944]	3686 [1672]
	4 POLE	23-9/32 [591]	31-3/8 [797]	37-7/32 [945]	4286 [1944]

IMPORTANT NOTE:  
LUGS ARE SUPPLIED AS OPTIONAL ACCESSORY ONLY. TYPICAL CONFIGURATION SHOWN FOR REFERENCE ONLY.

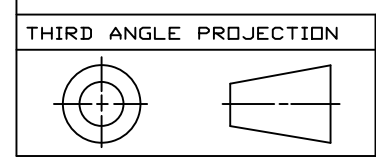


RIGHT SIDE VIEW



REAR VIEW

- NOTES:
- ALL CABLE ENTRY IN REAR OF CABINET. NO CABLE ENTRY IN FRONT OF CABINET.
  - WIRE BENDING AND GUTTER SPACES MEASURED AT POINT OF CONNECTION TO LUGS.
  - LUGS SHOWN FOR TOP CABLE ENTRY MAY BE RESERVED FOR BOTTOM CABLE ENTRY. LUGS ARE SUPPLIED AS OPTION ONLY.
  - ALL DIMENSIONS ARE FOR REFERENCE ONLY AND SHOWN IN INCHES(MILLIMETERS).



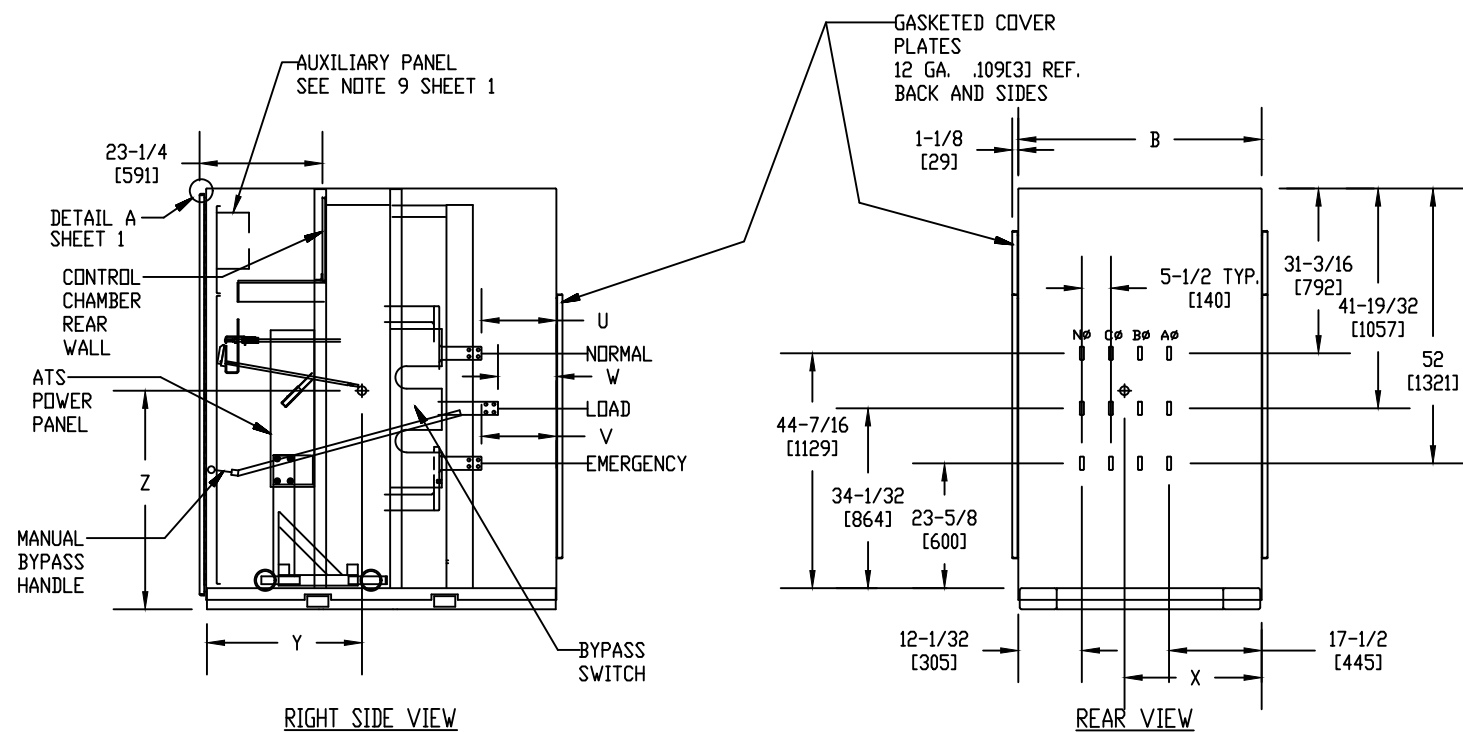
Part must conform to SI 900000 Sect. 4, Toxicity Procedure

FOR ADDITIONAL INFO REFER TO APPLIED PRACTICES	SIGNATURES		DATE	<b>ABB</b>	TITLE TRANSFER SWITCH - NEMA 3R, 4, 12 ENCL. 1600-3000 A ZBTE(D/CT)
DIMENSIONS ARE IN INCHES UNLESS OTHERWISE SPECIFIED IN DRAWING	MODEL	PK	10/13/08		
TOLERANCE ON: 1 PL DECIMALS ± 0.0 2 PL DECIMALS ± 0.02 3 PL DECIMALS ± 0.005 ANGLES ± 1.0	DETAIL	PK	10/13/08	SIZE DRAWING B	REV 1
FRACTIONS ±	CHECKED	.	.		
FINISH	ENGRG	.	.	SCALE: 0.040	SHEET 2 OF 4
CRITICAL TO QUALITY CHARACTERISTIC	MFG	.	.		
	QUALITY	.	.	REF. No: .	
	ISSUED	.	.		
	SOLID MODEL: 90C-1037				



ABB PROPRIETARY AND CONFIDENTIAL INFORMATION

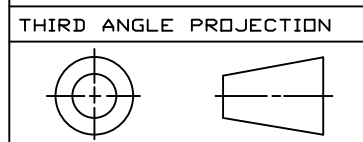
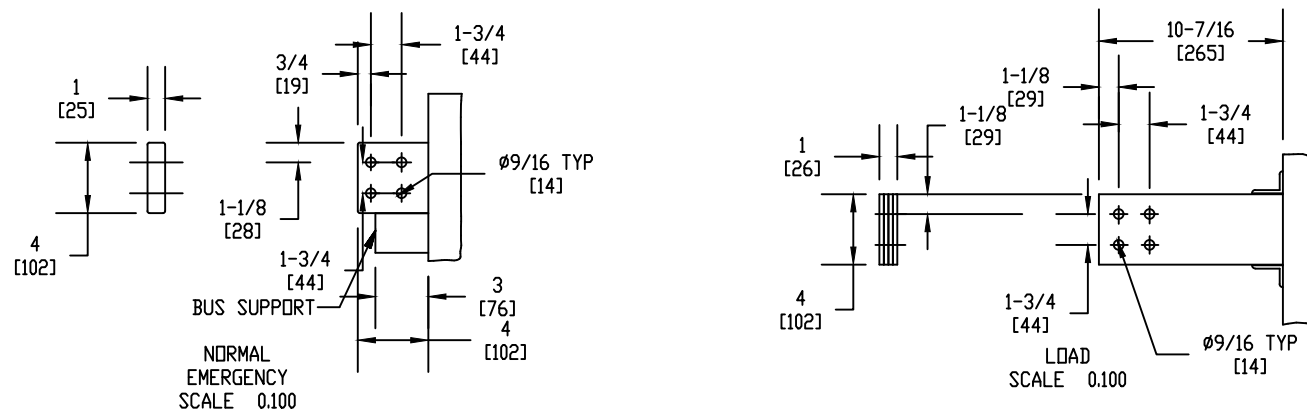
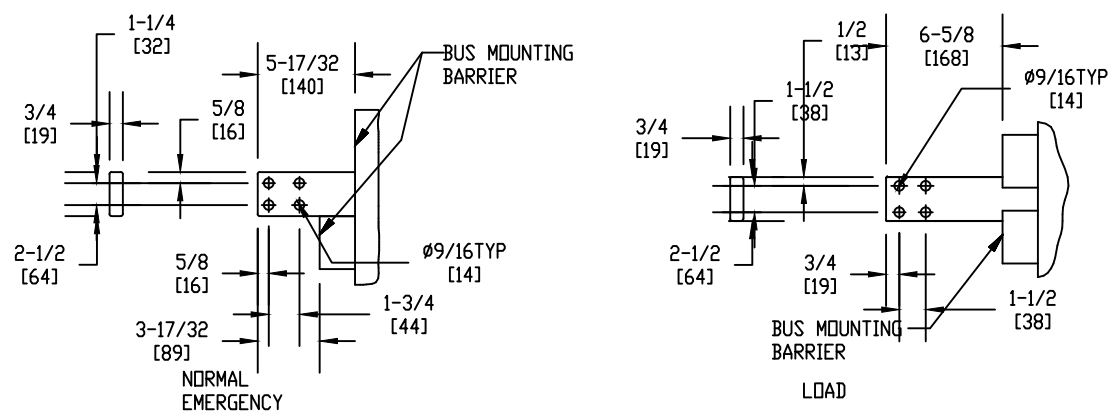
The information contained in the document has to be kept strictly confidential. Any unauthorized use, reproduction, distribution or disclosure to third parties is strictly forbidden. ABB reserves all rights regarding intellectual Property Rights. Copyright 2018 ABB. All rights reserved



ZBTE(D/CT) SWITCH	CONTROLLER TYPE	CABINET	U(NORM)	V(EMERG)	W(LOAD)
1600-2600 AMP	MX-350	3-POLE	14-5/32 [360]	14-5/32 [360]	11-1/16 [281]
		4-POLE			
3-POLE		18-5/8 [473]	18-5/8 [473]	12-7/32 [310]	
4-POLE					

ZBTE(D/CT) SWITCH	CABINET	CENTER OF GRAVITY			WEIGHT LBS(KG)
		X	Y	Z	
1600-2600 AMP	3-POLE	20 [508]	30-9/16 [776]	37-11/32 [949]	3014 [1367]
	4-POLE	22-7/8 [581]	30-19/32 [777]	37-7/32 [945]	3381 [1534]
3000 AMP	3-POLE	20-9/32 [515]	31-1/16 [789]	37-3/32 [942]	3342 [1516]
	4-POLE	23-1/8 [587]	31-5/32 [791]	37-5/32 [944]	3845 [1744]

ALL DIMENSIONS ARE FOR REFERENCE ONLY AND SHOWN IN INCHES [MILLIMETERS]



Part must conform to SI 900000 Sect. 4, Toxicity Procedure

FOR ADDITIONAL INFO REFER TO	SIGNATURES	DATE
APPLIED PRACTICES	MODEL	PK 10/13/08
DIMENSIONS ARE IN INCHES UNLESS OTHERWISE SPECIFIED IN DRAWING	DETAIL	PK 10/13/08
TOLERANCE ON:	CHECKED	.
1 PL DECIMALS ± 0.0	ENGRG	.
2 PL DECIMALS ± 0.02	MFG	.
3 PL DECIMALS ± 0.005	QUALITY	.
ANGLES ± 1.0	ISSUED	.
FRACTIONS ±	SOLID MODEL: 90C-1037	
FINISH		
CRITICAL TO QUALITY CHARACTERISTIC		

**ABB**

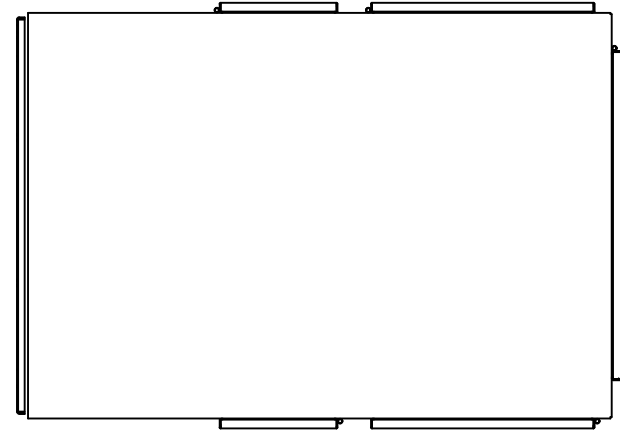
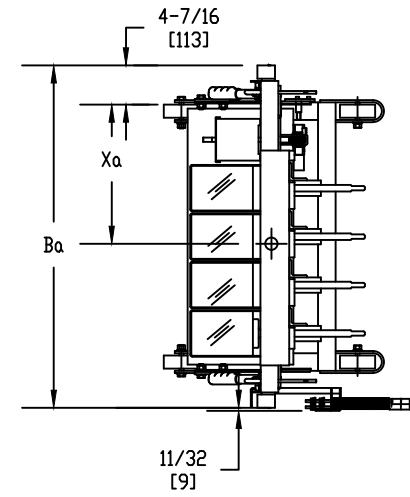
TRANSFER SWITCH - NEMA 3R, 4, 12 ENCL.  
1600-3000 A  
ZBTE(D/CT)

SIZE	DRAWING	REV
B	90C-1037	1

SCALE: 0.030 REF. No: SHEET 3 OF 4

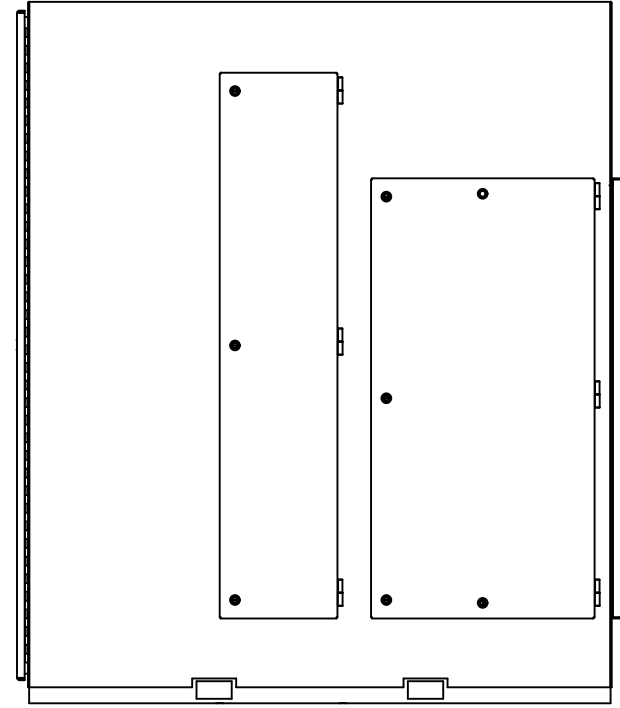
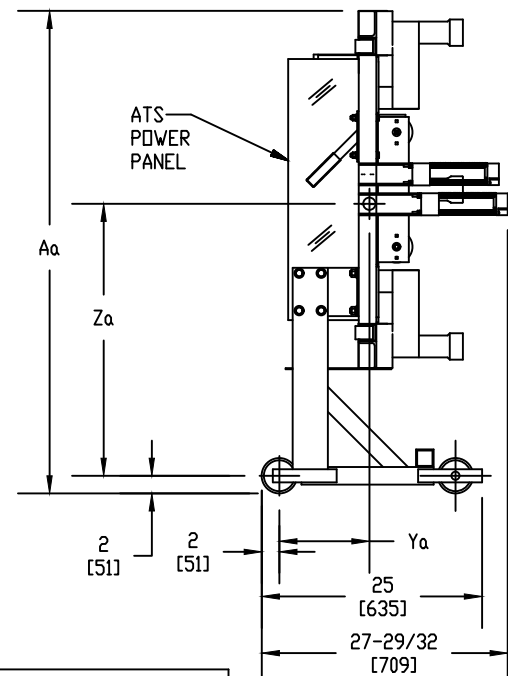


**ABB PROPRIETARY AND CONFIDENTIAL INFORMATION**  
 The information contained in the document has to be kept strictly confidential.  
 Any unauthorized use, reproduction, distribution or disclosure to third parties is strictly forbidden.  
 ABB reserves all rights regarding intellectual Property Rights.  
 Copyright 2018 ABB. All rights reserved

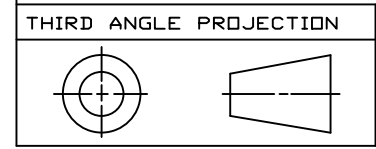


ATS POWER PANEL WITH CART DIMENSIONS			
ZBTE(D/CT) SWITCH	POLES	Aa	Ba
1600-2600 AMP	3-POLE	54-25/32 [1391]	33-3/8 [848]
	4-POLE	54-25/32 [1391]	38-7/8 [987]
3000 AMP	3-POLE	56-5/8 [1438]	33-3/8 [848]
	4-POLE	56-5/8 [1438]	38-7/8 [987]

CENTER OF GRAVITY OF ATS POWER PANEL WITH CART					
ZBTE(D/CT) SWITCH	POLES	Xa	Ya	Za	WEIGHT LBS(KG)
1600-2600 AMP	3-POLE	13 [330]	10-1/8 [257]	29-17/32 [750]	559 [253]
	4-POLE	15-13/16 [402]	10-7/32 [260]	29-7/8 [759]	683 [310]
3000 AMP	3-POLE	13-15/32 [342]	11-5/8 [295]	30-7/32 [767]	725 [329]
	4-POLE	16-9/32 [414]	11-13/16 [300]	30-17/32 [775]	904 [410]



ALL DIMENSIONS ARE FOR REFERENCE ONLY AND SHOWN IN INCHES [MILLIMETERS]



ATS POWER PANEL SHOWN OUT-SIDE THE ENCLOSURE

Part must conform to SI 900000 Sect. 4, Toxicity Procedure

FOR ADDITIONAL INFO REFER TO:	SIGNATURES	DATE
APPLIED PRACTICES	MODEL	PK 10/13/08
DIMENSIONS ARE IN INCHES UNLESS OTHERWISE SPECIFIED IN DRAWING	DETAIL	PK 10/13/08
TOLERANCE ON: 1 PL DECIMALS ± 0.0 2 PL DECIMALS ± 0.02 3 PL DECIMALS ± 0.005 ANGLES ± 1.0	CHECKED	.
FRACTIONS ±	ENGRG	.
FINISH	MFG	.
CRITICAL TO QUALITY CHARACTERISTIC	QUALITY	.
	ISSUED	.
	SOLID MODEL: 90C-1037	

**ABB**

TRANSFER SWITCH - NEMA 3R, 4, 12 ENCL.  
1600-3000 A  
ZBTE(D/CT)

SIZE	DRAWING	REV
B	90C-1037	1

SCALE: 0.050 REF. No: SHEET 4 OF 4

