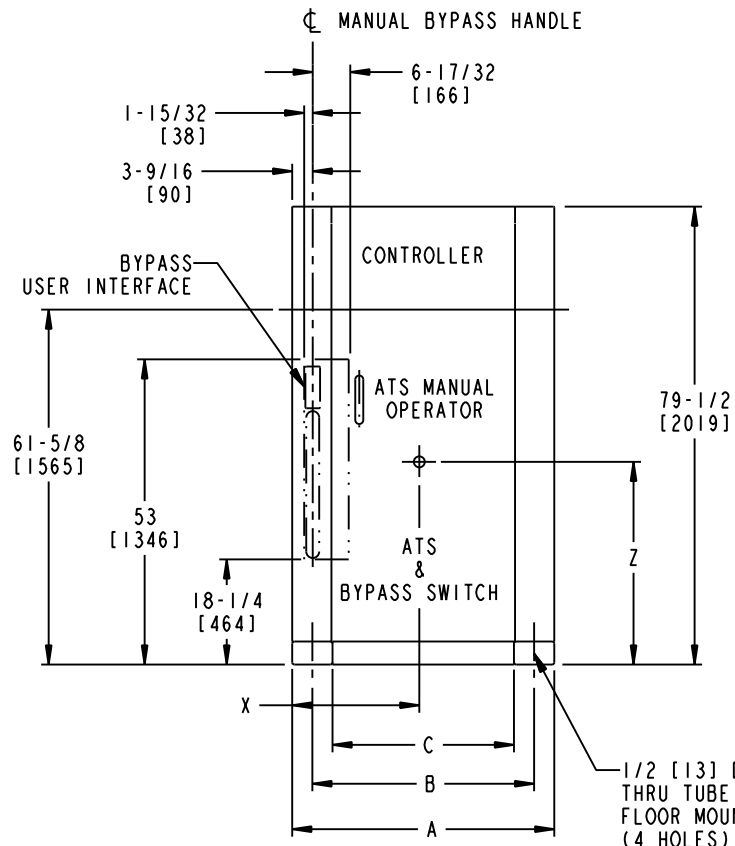




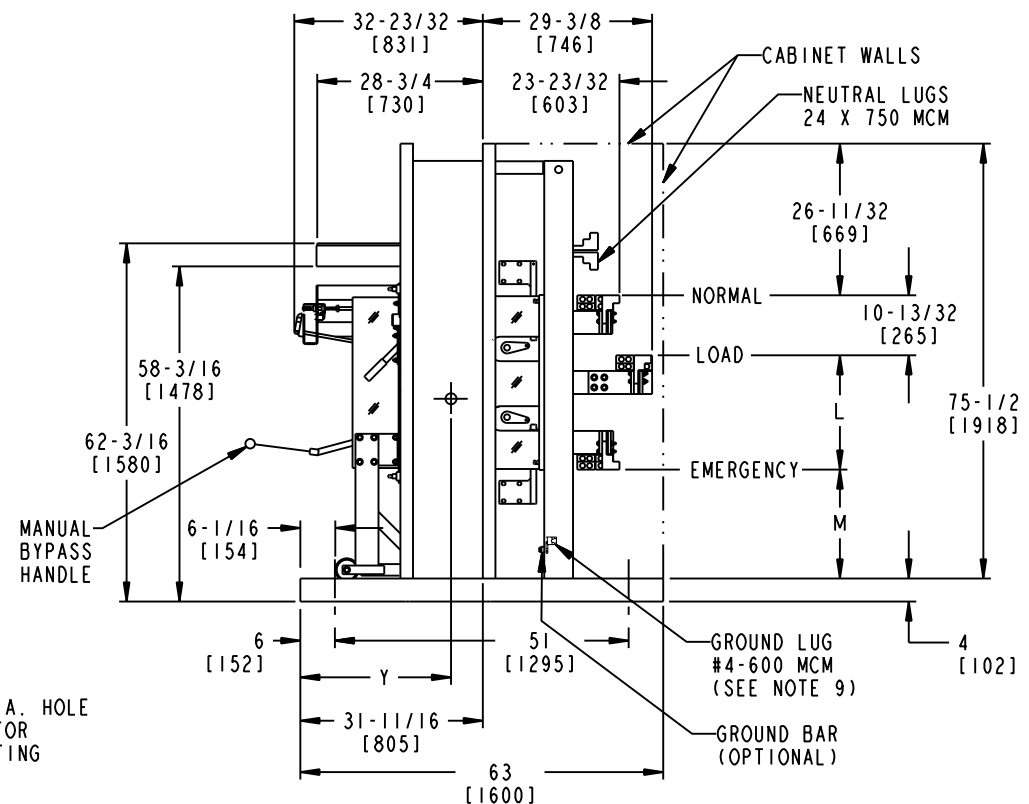
GE PROPRIETARY AND CONFIDENTIAL INFORMATION

This document is the property of General Electric Company ("GE") and contains proprietary information of GE. This document is loaned on the express condition that neither it nor the information contained therein shall be disclosed to others without the express written consent of GE Industrial Systems, and that the information shall be used by the recipient only as approved expressly by GE Industrial Systems. This document shall be returned to GE upon its request. This document may be subject to certain restrictions under U.S. export control laws and regulations.

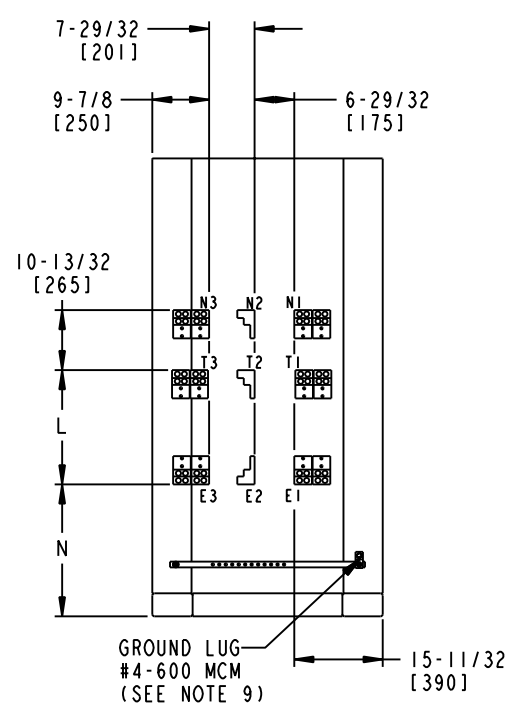
REVISIONS				
REV.	DESCRIPTION	DATE	APPROVED	
A	S-8796	ESTABLISHED	10/13/08	PK SA
B	S-8829	REVISED	02/19/09	SS SA
C	S-8863	REVISED	05/22/09	SS SA



FRONT VIEW

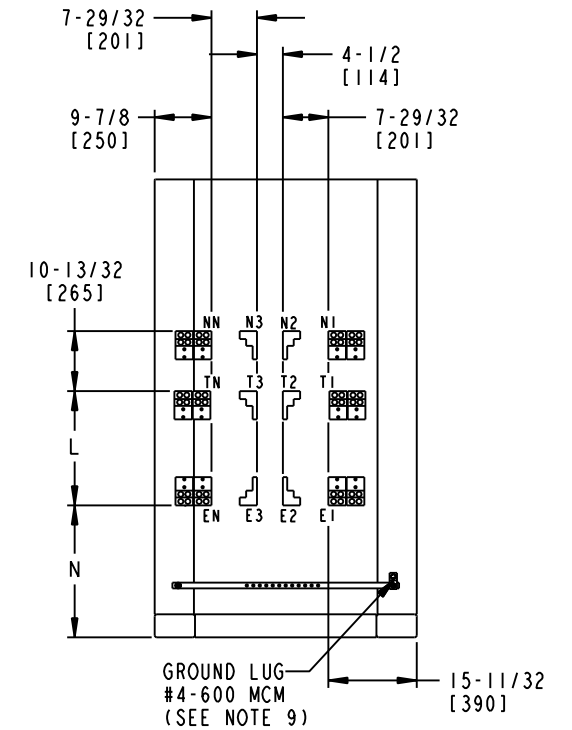


RIGHT SIDE VIEW



3-POLE SWITCH

LUG DETAILS (REAR VIEW)



4-POLE SWITCH

LUG DETAILS (REAR VIEW)

# OF POLES	CENTER OF GRAVITY		
	A	B	C
3-POLE	40 [1016]	33 [838]	26 [660]
4-POLE	45-1/2 [1156]	38-1/2 [978]	31-1/2 [800]

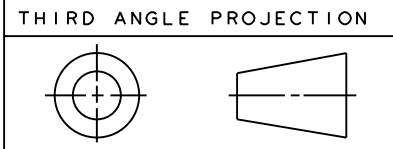
# OF POLES	CENTER OF GRAVITY			WEIGHT LBS [KG]
	X	Y	Z	
3 POLE	20-5/8 [524]	31-5/32 [791]	34-3/8 [873]	2866 [1300]
4 POLE	23-1/2 [597]	31-11/32 [796]	34-19/32 [878]	3225 [1463]

LUG SIZE	L	M	N
	#2- 600 MCM (33-304mm ²)	19-27/32 [504]	18-29/32 [480]
#4- 750 MCM	15-11/16 [398]	23-3/64 [585]	27-3/64 [687]

TOTAL 8 PORTS FOR THE STANDARD OFFERING

NOTES:

1. THE LOCATION OF THE USER INTERFACE WINDOW WITH RELATION TO THE DIMENSIONS OF THE OPEN STYLE BYPASS SWITCH ARE CRITICAL TO THE ALIGNMENT OF THE MANUAL BYPASS HANDLE.
2. SEE SHEET 3 FOR CONTROL CHAMBER MOUNTING DIMENSIONS. SEE SHEET 4 FOR RECOMMENDED DOOR MODIFICATIONS.
3. ACCESS TO SIDES AND REAR OF UNIT RECOMMENDED.
4. RUN ALL CABLES IN REAR OF ENCLOSURE. NO CABLE ENTRY IN FRONT OF ENCLOSURE.
5. ATS DRAWS OUT TOWARD FRONT OF ENCLOSURE.
6. MAINTAIN ELECTRICAL CLEARANCE OF 1" (25mm) MINIMUM BETWEEN LIVE METAL PARTS AND GROUNDED METAL.
7. CUSTOMERS CUBICLE MUST INCLUDE A TWO DOOR FRONT.
8. LUGS MAY BE ORIENTED TO ACCEPT CABLING FROM TOP AS WELL AS BOTTOM ENTRY. LUGS ARE SUPPLIED AS OPTION ONLY.
9. GROUND LUG WILL BE PROVIDED IF THE GROUND BAR IS NOT REQUESTED.
10. PRODUCT HAS TO BE MOVED ONLY BY USING APPROPRIATE LIFTING TRUCKS.
11. ALL DIMENSIONS ARE FOR REFERENCE ONLY AND SHOWN IN INCHES [MILLIMETERS].
12. AUXILIARY PANEL SUPPLIED AS OPTIONAL ONLY.



Part must conform to SI 900000 Sect. 4, Toxicity Procedure

FOR ADDITIONAL INFO REFER TO:	SIGNATURES	DATE
APPLIED PRACTICES		
DIMENSIONS ARE IN INCHES UNLESS OTHERWISE SPECIFIED IN DRAWING		
TOLERANCE ON:		
1 PL DECIMALS ± 0.0		
2 PL DECIMALS ± 0.02		
3 PL DECIMALS ± 0.005		
ANGLES ± 1.0		
FRACTIONS ±		
FINISH		
CRITICAL TO QUALITY CHARACTERISTIC		

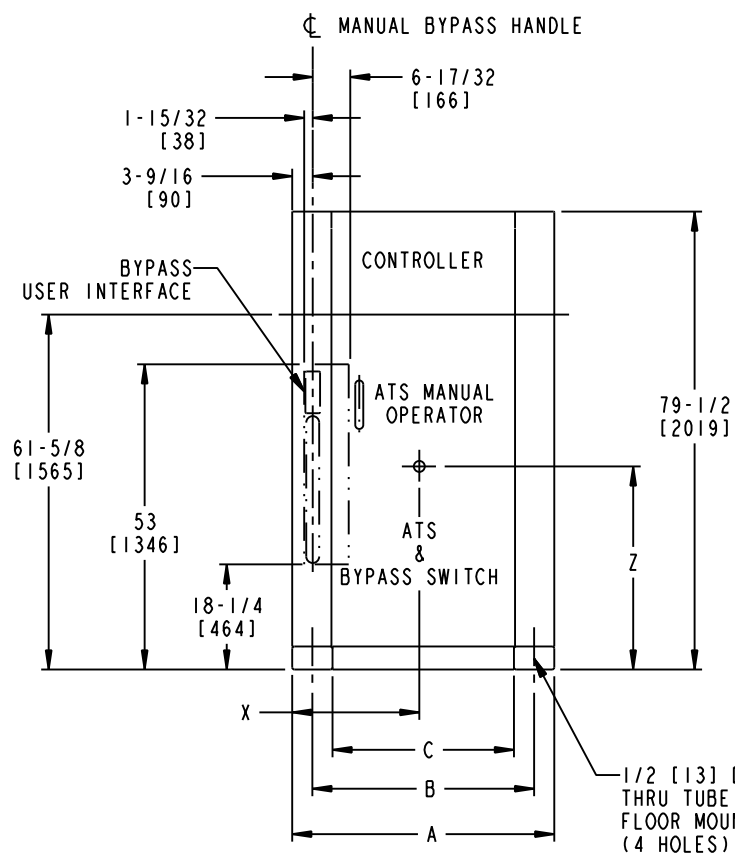
GE Zenith Controls	
TITLE BYPASS SWITCH - REAR LUGS 3000A ZBTE(D/CT)	
SIZE B	DRAWING 90C-1038
REV C	REF. No.
SCALE: 0.030	SHEET 1 OF 5



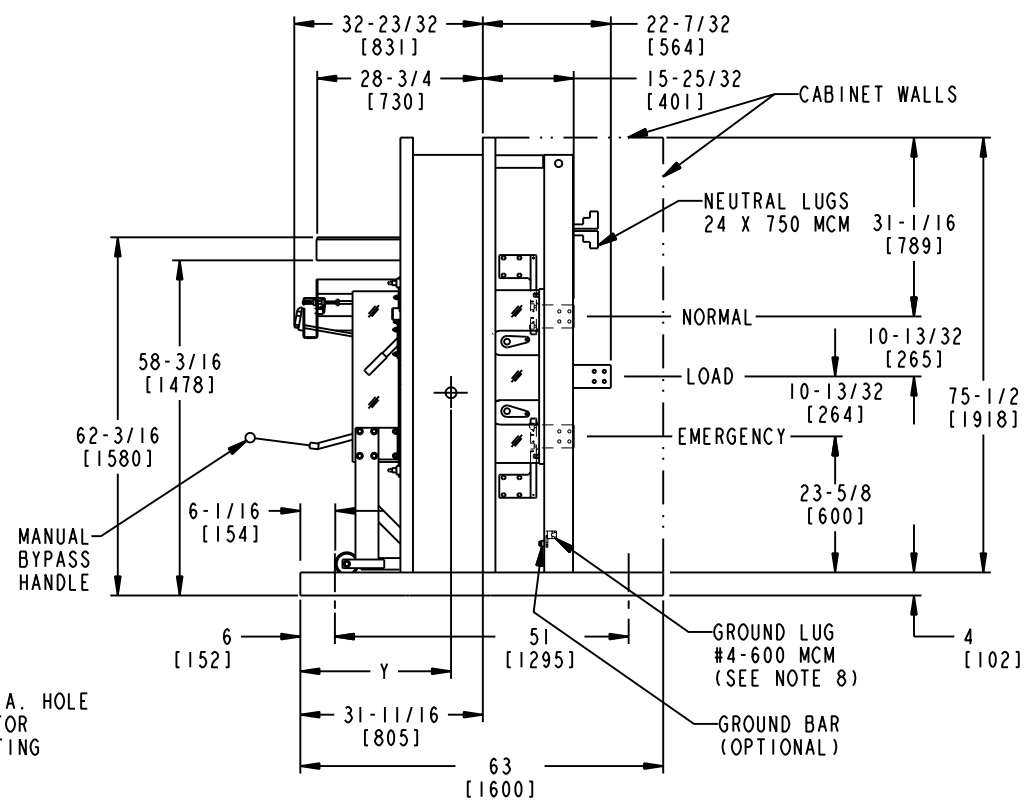
GE PROPRIETARY AND CONFIDENTIAL INFORMATION

This document is the property of General Electric Company ("GE") and contains proprietary information of GE. This document is loaned on the express condition that neither it nor the information contained therein shall be disclosed to others without the express written consent of GE Industrial Systems, and that the information shall be used by the recipient only as approved expressly by GE Industrial Systems. This document shall be returned to GE upon its request. This document may be subject to certain restrictions under U.S. export control laws and regulations.

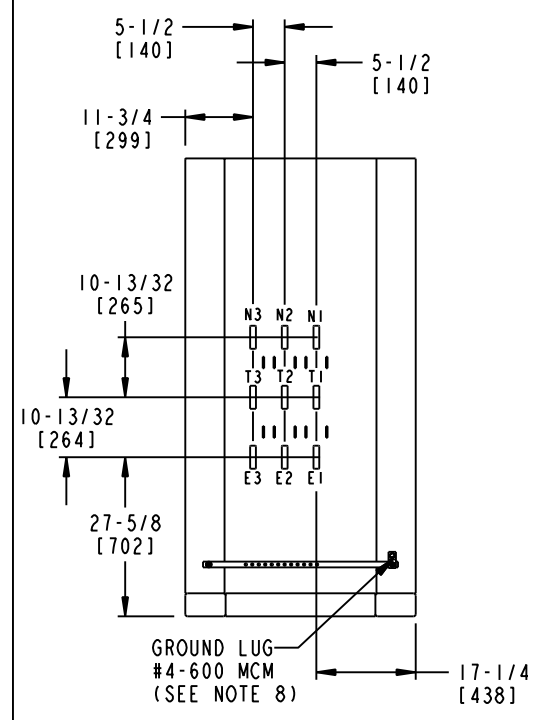
REVISIONS				
REV.	DESCRIPTION	DATE	APPROVED	
A	S-8796	ESTABLISHED	10/13/08	PK SA
B	S-8829	REVISED	02/19/09	SS SA
C	S-8863	REVISED	05/22/09	SS SA



FRONT VIEW

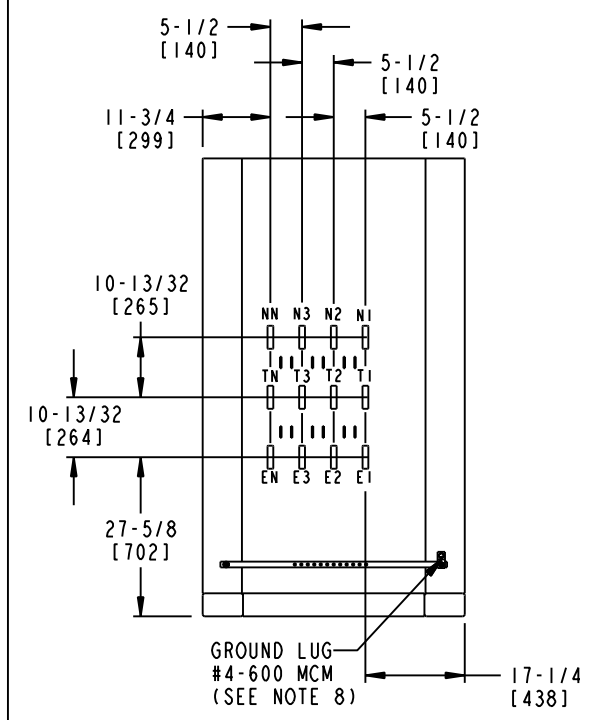


RIGHT SIDE VIEW



3-POLE SWITCH

BUS DETAILS (REAR VIEW)



4-POLE SWITCH

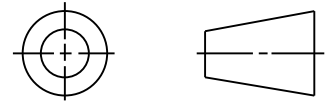
BUS DETAILS (REAR VIEW)

CENTER OF GRAVITY					
AMPS	POLE	A	B	C	WEIGHT LBS [KG]
3000A	3 POLE	40 [1016]	33 [838]	26 [660]	2551 [1157]
	4 POLE	45-1/2 [1156]	38-1/2 [978]	31-1/2 [800]	2812 [1275]

NOTES:

1. THE LOCATION OF THE USER INTERFACE WINDOW WITH RELATION TO THE DIMENSIONS OF THE OPEN STYLE BYPASS SWITCH ARE CRITICAL TO THE ALIGNMENT OF THE MANUAL BYPASS HANDLE.
2. SEE SHEET 3 FOR CONTROL CHAMBER MOUNTING DIMENSIONS. SEE SHEET 4 FOR RECOMMENDED DOOR MODIFICATIONS.
3. ACCESS TO SIDES AND REAR OF UNIT RECOMMENDED.
4. RUN ALL CABLES IN REAR OF ENCLOSURE. NO CABLE ENTRY IN FRONT OF ENCLOSURE.
5. ATS DRAWS OUT TOWARD FRONT OF ENCLOSURE.
6. MAINTAIN ELECTRICAL CLEARANCE OF 1" (25mm) MINIMUM BETWEEN LIVE METAL PARTS AND GROUNDED METAL.
7. CUSTOMERS CUBICLE MUST INCLUDE A TWO DOOR FRONT.
8. GROUND LUG WILL BE PROVIDED IF THE GROUND BAR IS NOT REQUESTED.
9. PRODUCT HAS TO BE MOVED ONLY BY USING APPROPRIATE LIFTING TRUCKS.
10. ALL DIMENSIONS ARE FOR REFERENCE ONLY AND SHOWN IN INCHES [MILLIMETERS].
11. AUXILIARY PANEL SUPPLIED AS OPTIONAL ONLY.

THIRD ANGLE PROJECTION



Part must conform to SI 900000 Sect. 4, Toxicity Procedure

FOR ADDITIONAL INFO REFER TO:
 APPLIED PRACTICES
 DIMENSIONS ARE IN INCHES UNLESS OTHERWISE SPECIFIED IN DRAWING
 TOLERANCE ON:
 1 PL DECIMALS ± 0.0
 2 PL DECIMALS ± 0.02
 3 PL DECIMALS ± 0.005
 ANGLES ± 1.0
 FRACTIONS ±
 FINISH
 CRITICAL TO QUALITY CHARACTERISTIC

SIGNATURES		DATE
MODEL	PK	10/13/08
DETAIL	PK	10/13/08
CHECKED	PK	10/13/08
ENGRG	PK	10/13/08
MFG	-	-
QUALITY	-	-
ISSUED	-	-
SOLID MODEL: 90C-1038.3P		

GE Zenith Controls

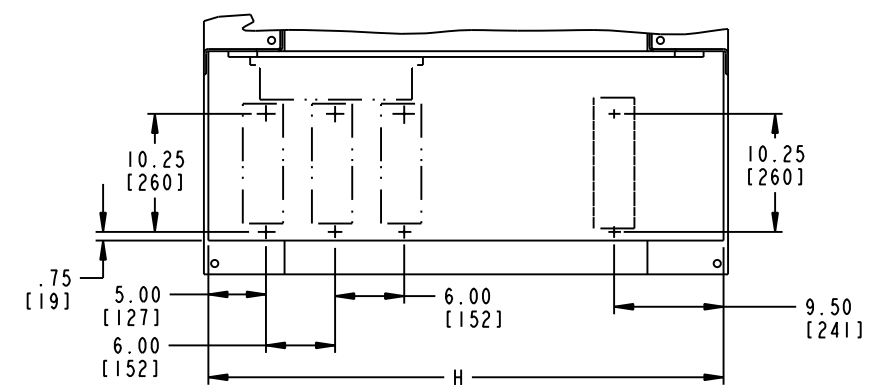
TITLE **BYPASS SWITCH - REAR BUS**
3000A
ZBTE(D/CT)

SIZE DRAWING **B** DRAWING NO. **90C-1038** REV **C**

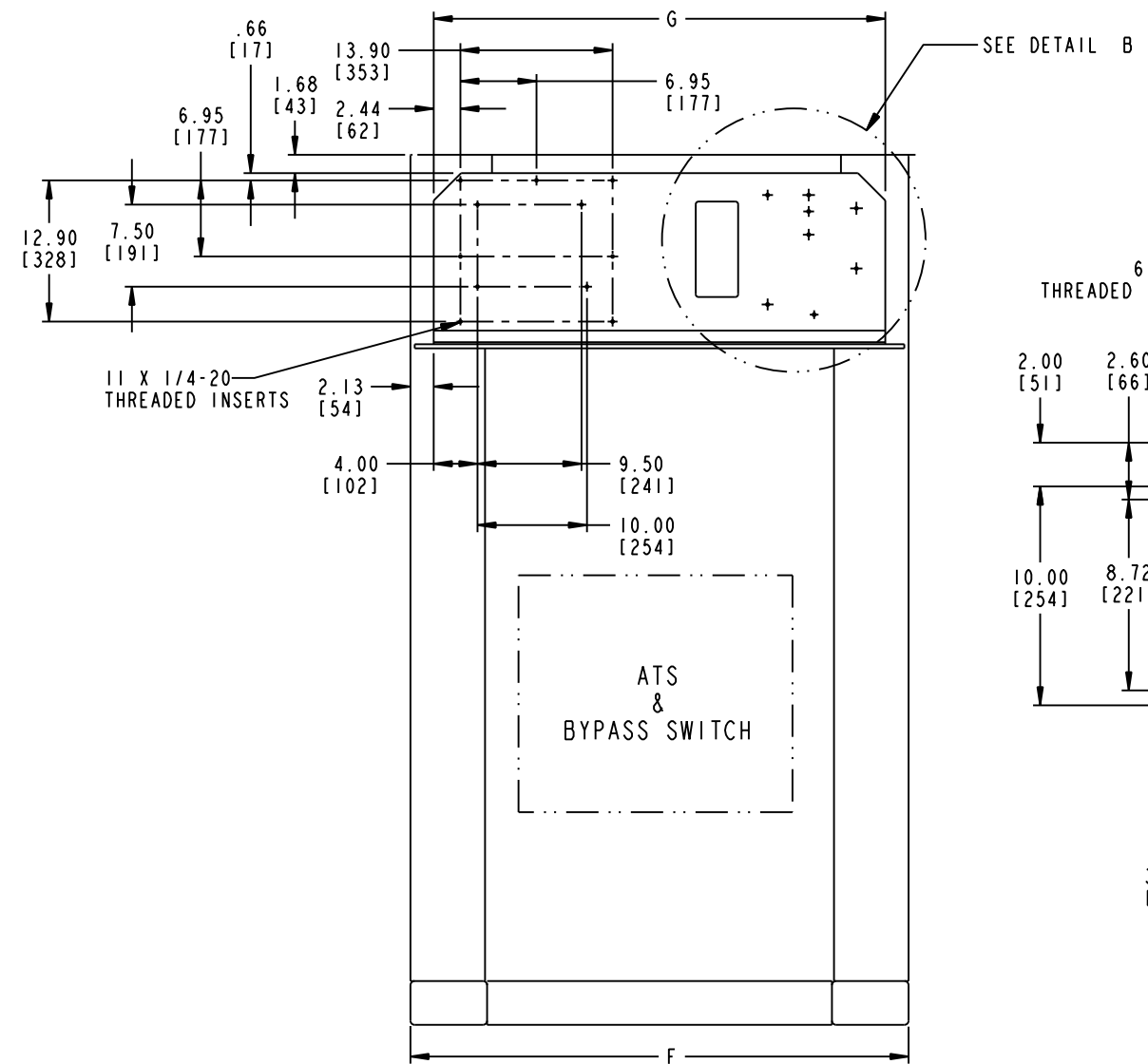
SCALE: 0.030 REF. No. SHEET 2 OF 5

GE PROPRIETARY AND CONFIDENTIAL INFORMATION
 This document is the property of General Electric Company ("GE") and contains proprietary information of GE. This document is loaned on the express condition that neither it nor the information contained therein shall be disclosed to others without the express written consent of GE Industrial Systems, and that the information shall be used by the recipient only as approved expressly by GE Industrial Systems. This document shall be returned to GE upon its request. This document may be subject to certain restrictions under U.S. export control laws and regulations.

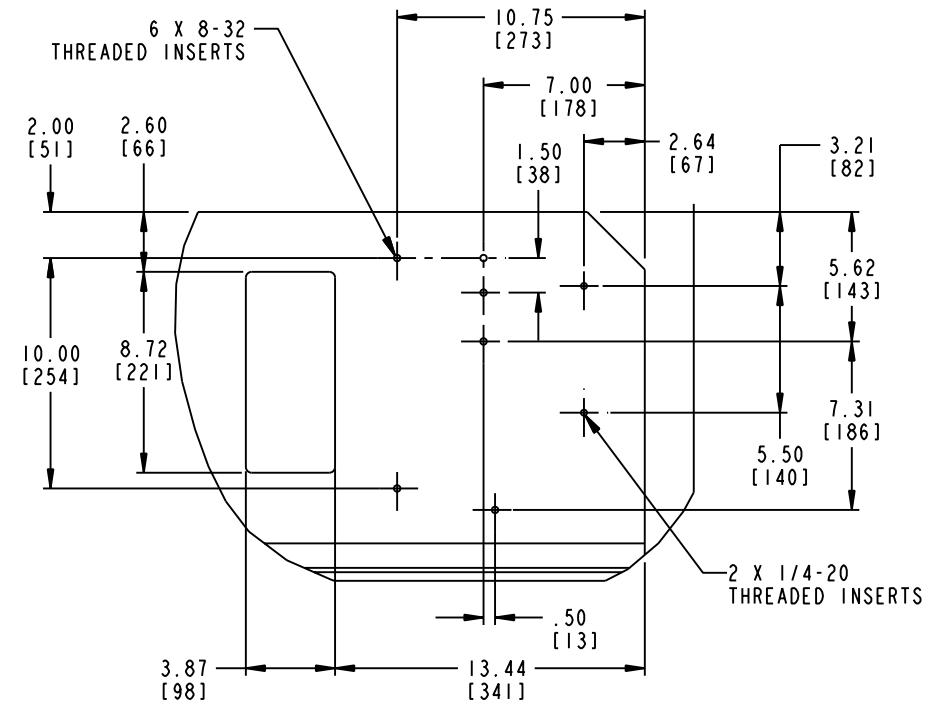
REVISIONS				
REV.	DESCRIPTION	DATE	APPROVED	
A	S-8796 ESTABLISHED	10/13/08	PK	SA
B	S-8829 REVISED	02/19/09	SS	SA
C	S-8863 REVISED	05/22/09	SS	SA



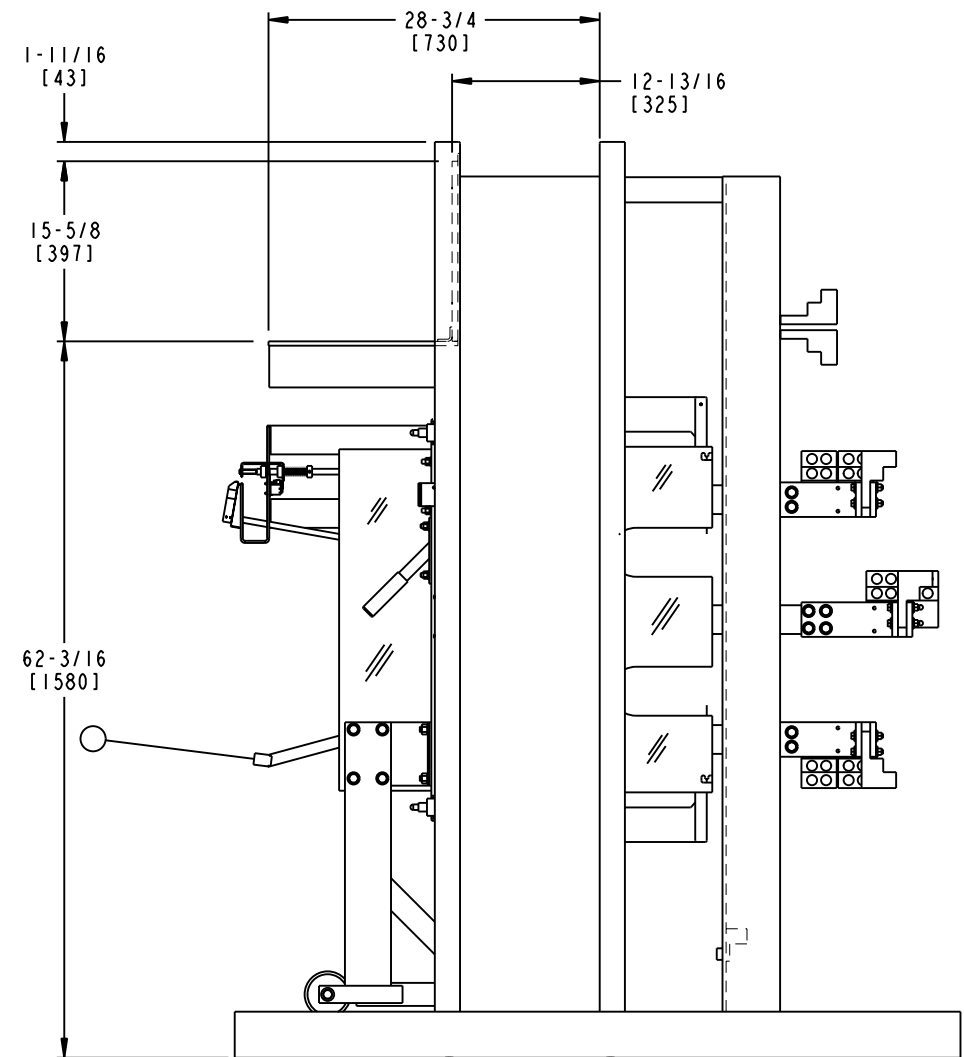
TOP VIEW



FRONT VIEW



DETAIL B
SCALE 0.120

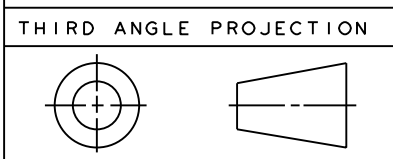


RIGHT SIDE VIEW

ALL DIMENSIONS ARE FOR REFERENCE ONLY AND SHOWN IN INCHES(MILLIMETERS)

# OF POLES	F	G	H
3-POLE	40 [1016]	35.8 [908]	39.2 [996]
4-POLE	45.5 [1156]	41.3 [1048]	44.7 [1136]

Part must conform to SI 900000 Sect. 4, Toxicity Procedure



FOR ADDITIONAL INFO REFER TO:	SIGNATURES	DATE
APPLIED PRACTICES		
DIMENSIONS ARE IN INCHES UNLESS OTHERWISE SPECIFIED IN DRAWING		
TOLERANCE ON: 1 PL DECIMALS ± 0.0 2 PL DECIMALS ± 0.02 3 PL DECIMALS ± 0.005 ANGLES ± 1.0		
FRACTIONS ±		
FINISH		
CRITICAL TO QUALITY CHARACTERISTIC		

GE Zenith Controls

TITLE **BYPASS SWITCH - CONTROL CHAMBER**
 1600-3000 A
 ZBTE(D/CT)

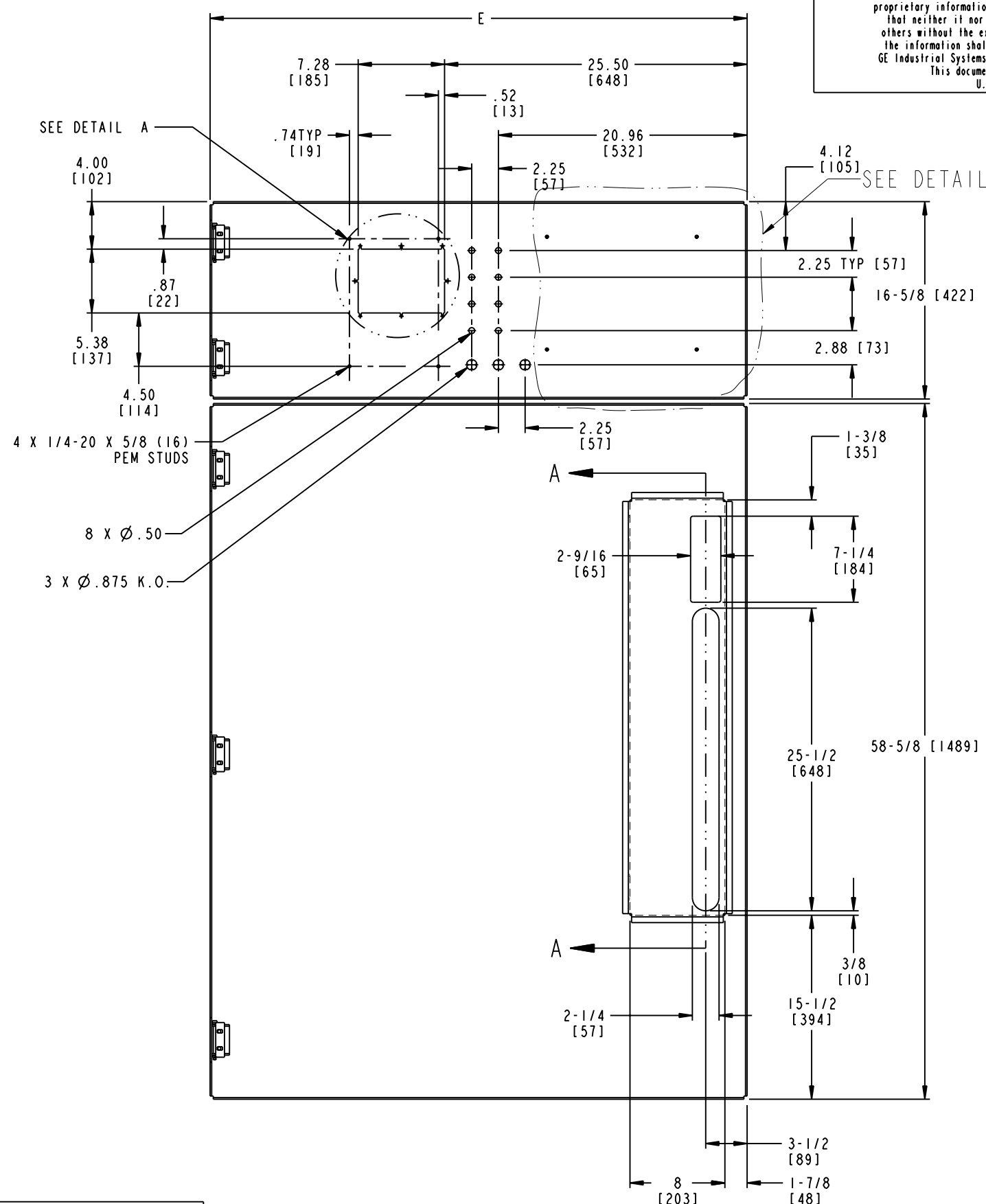
SIZE DRAWING **90C-1038** REV **C**

SCALE: 0.075 REF. No: . SHEET 3 OF 5



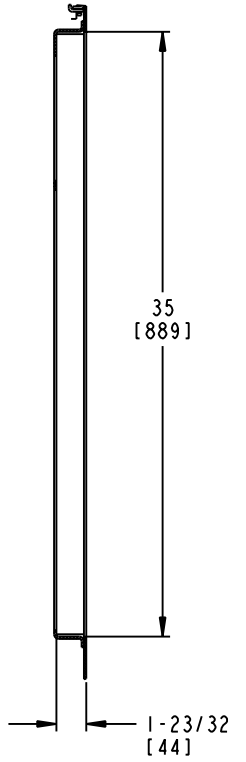
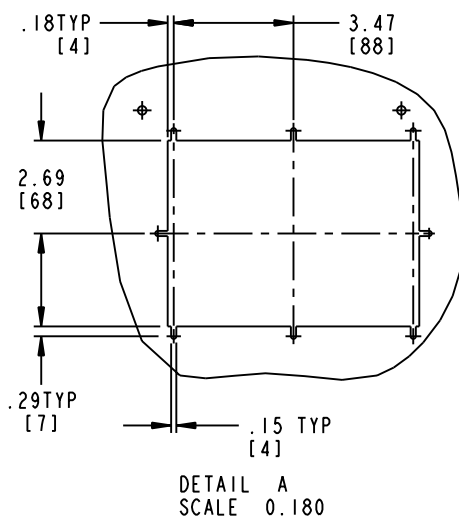
GE PROPRIETARY AND CONFIDENTIAL INFORMATION
 This document is the property of General Electric Company ("GE") and contains proprietary information of GE. This document is loaned on the express condition that neither it nor the information contained therein shall be disclosed to others without the express written consent of GE Industrial Systems, and that the information shall be used by the recipient only as approved expressly by GE Industrial Systems. This document shall be returned to GE upon its request. This document may be subject to certain restrictions under U.S. export control laws and regulations.

REVISIONS				
REV.	DESCRIPTION	DATE	APPROVED	
A	S-8796 ESTABLISHED	10/13/08	PK	SA
B	S-8829 REVISED	02/19/09	SS	SA
C	S-8863 REVISED	05/22/09	SS	SA

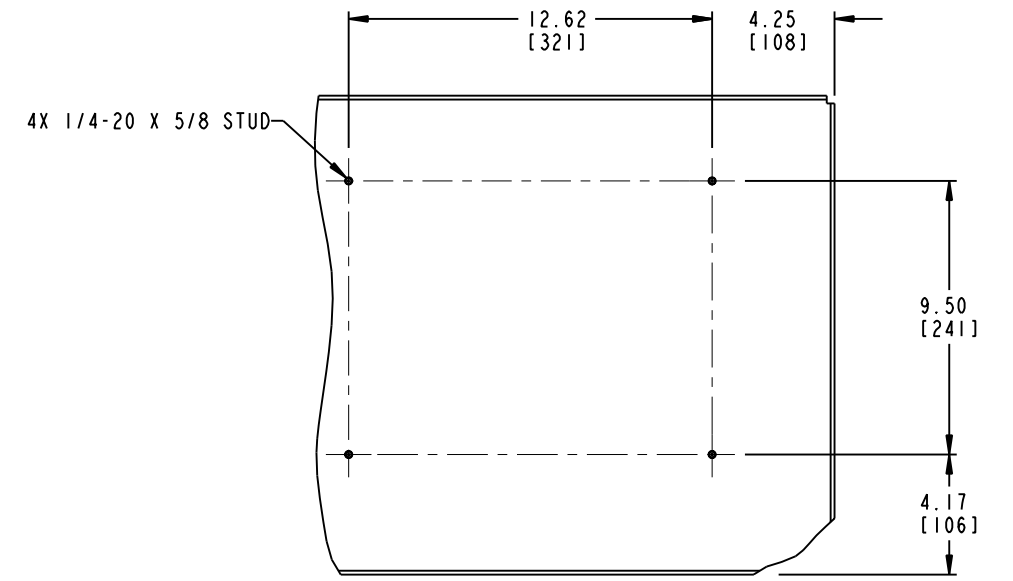


SEE DETAIL B

# OF POLES	E
3 POLE	45.26 [1150]
4 POLE	39.76 [1010]

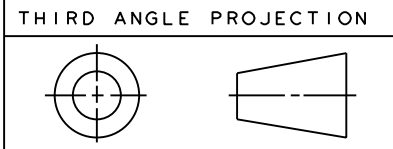


SECTION A-A



DETAIL B SCALE 0.150

ALL DIMENSIONS ARE FOR REFERENCE ONLY AND SHOWN IN INCHES [MILLIMETERS]



RECOMMENDED BYPASS SWITCH DOOR MODIFICATIONS (CUSTOMER SUPPLIED) INSIDE VIEW

Part must conform to SI 900000 Sect. 4, Toxicity Procedure

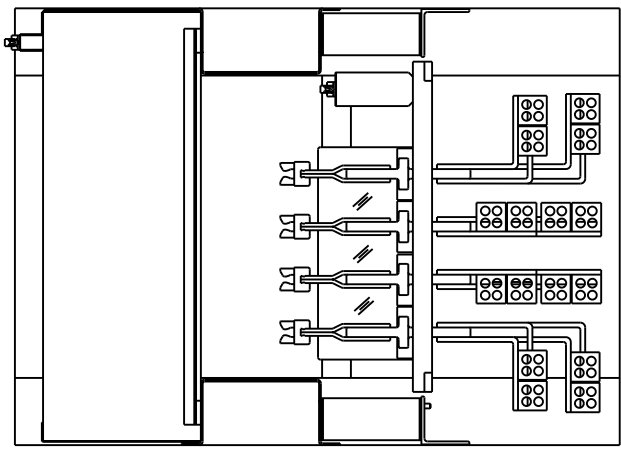
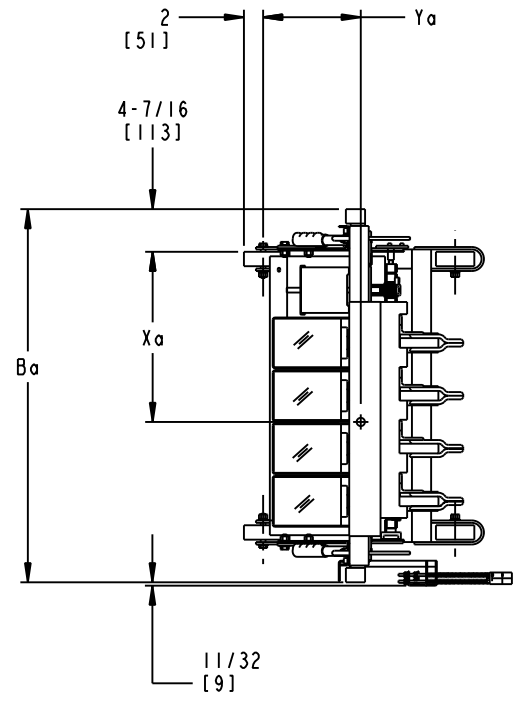
FOR ADDITIONAL INFO REFER TO: APPLIED PRACTICES	SIGNATURES		DATE
DIMENSIONS ARE IN INCHES UNLESS OTHERWISE SPECIFIED IN DRAWING	MODEL	PK	10/13/08
TOLERANCE ON: 1 PL DECIMALS ± 0.0 2 PL DECIMALS ± 0.02 3 PL DECIMALS ± 0.005 ANGLES ± 1.0	DETAIL	PK	10/13/08
FRACTIONS ±	CHECKED	-	-
FINISH	ENGRG	-	-
CRITICAL TO QUALITY CHARACTERISTIC	MFG	-	-
	QUALITY	-	-
	ISSUED	-	-
	SOLID MODEL: 90C-1038	-	-

		GE Zenith Controls	
TITLE BYPASS SWITCH DOOR MODIFICATIONS			
1600-3000 A ZBTE(D/CT)			
SIZE	DRAWING	REV	
B	90C-1038	C	
SCALE: 0.090	REF. No:	SHEET 4 OF 5	

GE PROPRIETARY AND CONFIDENTIAL INFORMATION

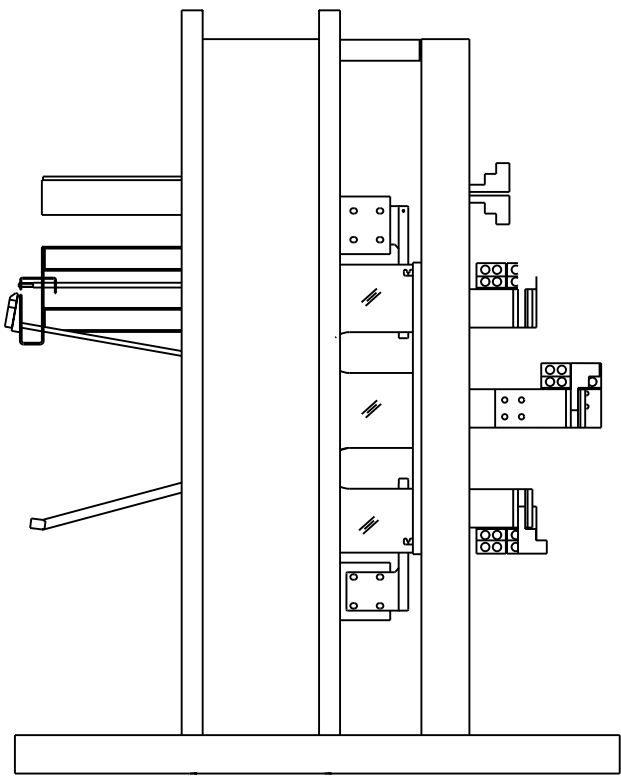
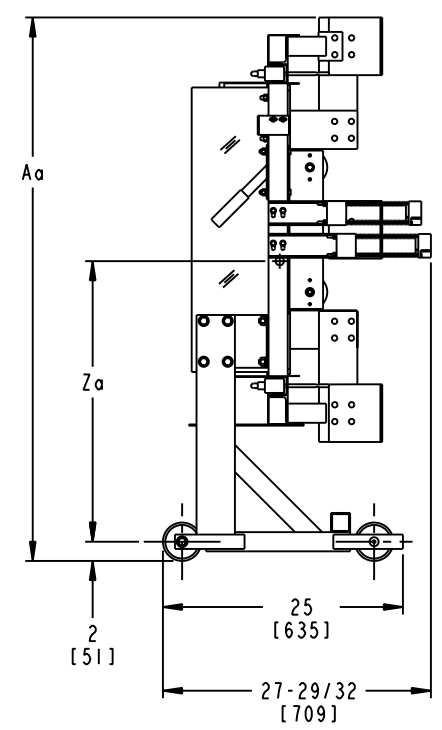
This document is the property of General Electric Company ("GE") and contains proprietary information of GE. This document is loaned on the express condition that neither it nor the information contained therein shall be disclosed to others without the express written consent of GE Industrial Systems, and that the information shall be used by the recipient only as approved expressly by GE Industrial Systems. This document shall be returned to GE upon its request. This document may be subject to certain restrictions under U.S. export control laws and regulations.

REVISIONS				
REV.	DESCRIPTION	DATE	APPROVED	
A	S-8796 ESTABLISHED	10/13/08	PK	SA
B	S-8829 REVISED	02/19/09	SS	SA
C	S-8863 REVISED	05/22/09	SS	SA



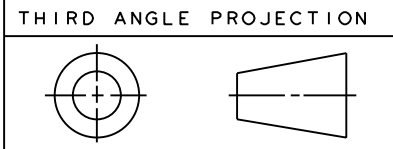
ATS POWER PANEL WITH CART DIMENSIONS			
ZBTE(D/CT) SWITCH	POLES	Aa	Ba
3000 AMP	3-POLE	56-5/8 [1438]	38-7/8 [987]
	4-POLE	56-5/8 [1438]	33-3/8 [848]

CENTER OF GRAVITY OF ATS POWER PANEL WITH CART					
ZBTE(D/CT) SWITCH	POLES	Xa	Ya	Za	WEIGHT LB(KG)
3000 AMP	3-POLE	13-15/32 [342]	11-5/8 [295]	30-7/32 [767]	725 [329]
	4-POLE	16-9/32 [414]	11-13/16 [300]	30-17/32 [775]	904 [410]



ATS POWER PANEL SHOWN OUT-SIDE THE FRAME

ALL DIMENSIONS ARE FOR REFERENCE ONLY AND SHOWN IN INCHES [MILLIMETERS]



Part must conform to SI 900000 Sect. 4, Toxicity Procedure

FOR ADDITIONAL INFO REFER TO:	SIGNATURES	DATE
APPLIED PRACTICES		
DIMENSIONS ARE IN INCHES UNLESS OTHERWISE SPECIFIED IN DRAWING		
TOLERANCE ON:		
1 PL DECIMALS ± 0.0		
2 PL DECIMALS ± 0.02		
3 PL DECIMALS ± 0.005		
ANGLES ± 1.0		
FRACTIONS ±		
FINISH		
CRITICAL TO QUALITY CHARACTERISTIC		

GE Zenith Controls	
TITLE BYPASS SWITCH - ATS POWER PANEL 3000A ZBTE(D/CT)	
SIZE DRAWING B	REF. No.: 90C-1038
SCALE: 0.050	SHEET 5 OF 5