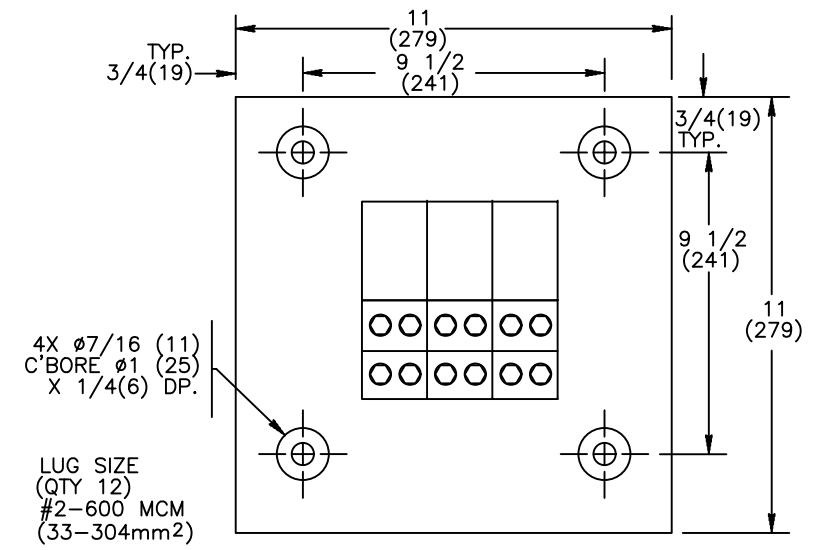


REVISIONS			
REV.	DESCRIPTION	DATE	APPROVED
1	CO76899 UPDATED REBRANDING	10/14/19	AR MAS

- NOTES:**
- FOR 2-POLE SWITCHES, OMIT CENTER POLE.
 - OPEN TYPE SWITCH SUPPLIED WITH 6 FT. (1.8m) LONG HARNESS BETWEEN POWER AND CONTROL PANELS. HARNESS EXITS FROM LOWER RIGHT CORNER OF POWER PANEL.
 - DO NOT RUN CABLES IN FRONT OF SWITCH. RUN ALL CABLES ON RIGHT SIDE.
 - MAINTAIN ELECTRICAL CLEARANCE OF 1(25mm) MIN. BETWEEN LIVE METAL PARTS AND GROUNDED METAL.
 - DIMENSIONS FOR 3-POLE AND 4-POLE SWITCHES ARE IDENTICAL EXCEPT AS NOTED.
 - ALL DIMENSIONS ARE FOR REFERENCE ONLY AND SHOWN IN INCHES(MILLIMETERS).
 - SEE "DOOR DETAIL" & "CONTROL PANEL" DIMENSIONS ON SHEET 3.

LUG SIZES	
1000-1200AMP	(QTY 4) #2- 600 MCM (33-304mm ²)



NEUTRAL BAR ASSEMBLY MOUNTING DETAIL

SIGNATURES	DATE
MODEL SG	02/21/08
CHECKED	
ENGRG SB	02/21/08
MFG	
QUALITY	
ISSUED	
DRAWING FILE: 90c-2003.dwg	
MODEL / ASSEMBLY FILE: ZTEL 1000-1200AMP	
# CTQs	

ABB	
TITLE ZTE 1000-1200AMP OPEN STYLE - FRONT LUGS	
FIRST MADE FOR: ZTE 1000-1200AMP	DWG NO
SIZE B	90C-2003
SCALE: N/A	SHEET 1 OF 3

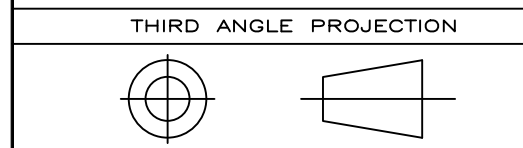
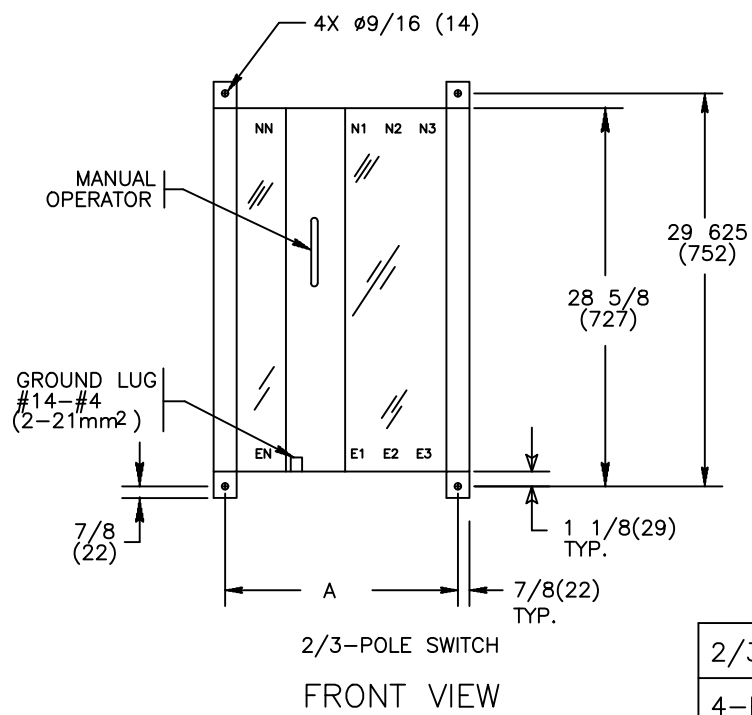
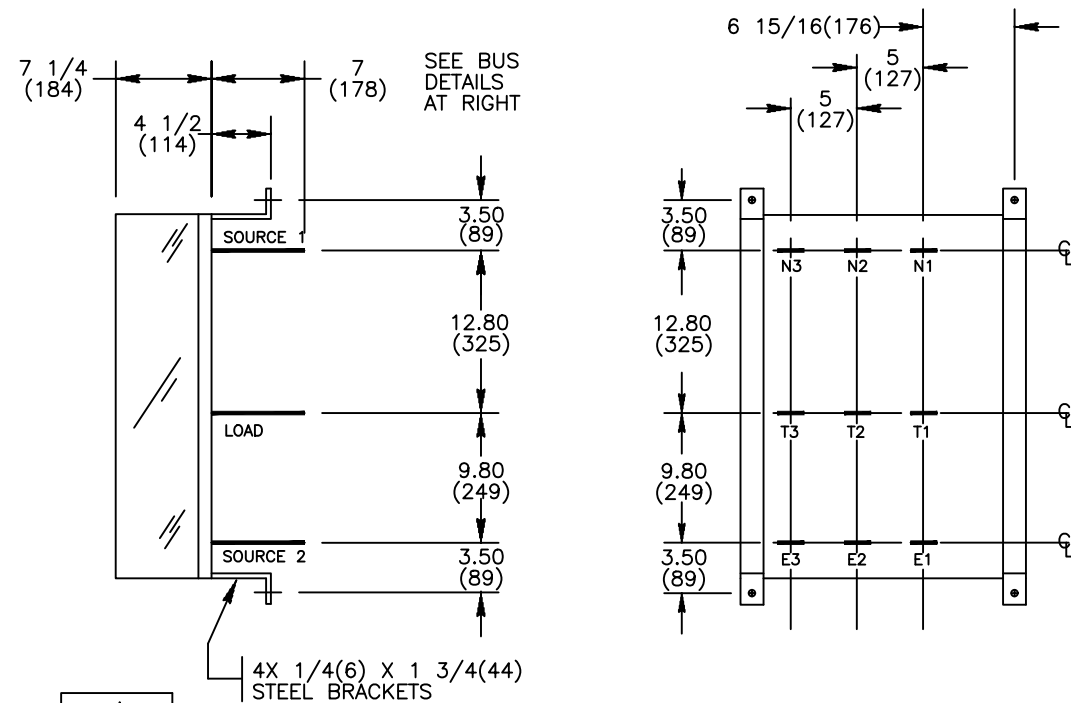


ABB PROPRIETARY AND CONFIDENTIAL INFORMATION
 The information contained in the document has to be kept strictly confidential. Any unauthorized use, reproduction, distribution or disclosure to third parties is strictly forbidden. ABB reserves all rights regarding intellectual Property Rights. Copyright 2018 ABB. All rights reserved.

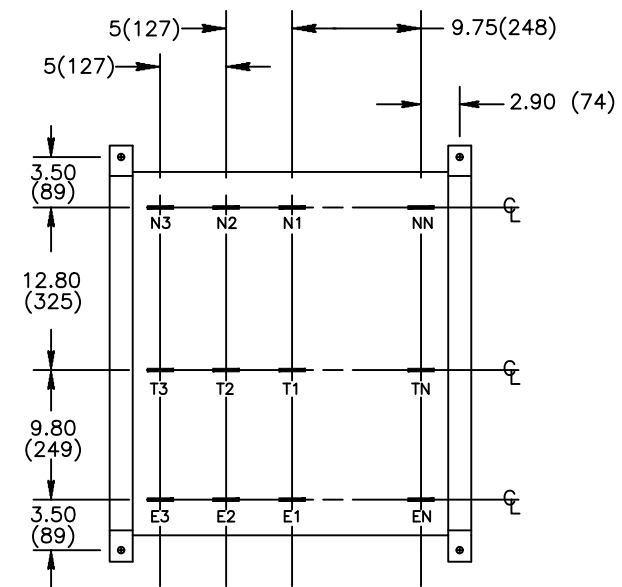
AutoCad Generated



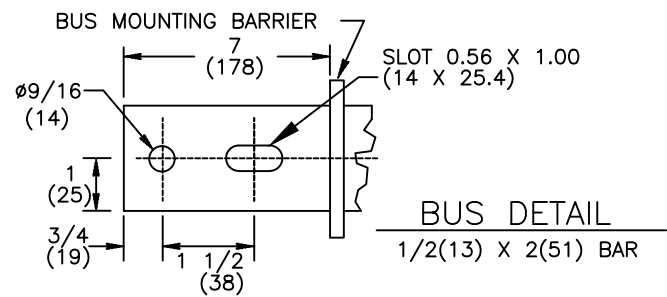
	A
2/3-POLE	19 7/8 (505)
4-POLE	25 5/8 (651)



4-POLE SWITCH
BUS DETAILS (REAR VIEW)



BUS DETAILS (REAR VIEW)



BUS DETAIL
1/2(13) X 2(51) BAR

NOTES:

- FOR 2-POLE SWITCHES, OMIT CENTER POLE.
- OPEN TYPE SWITCH SUPPLIED WITH 6 FT. (1.8m) LONG HARNESS BETWEEN POWER AND CONTROL PANELS. HARNESS EXITS FROM LOWER RIGHT CORNER OF POWER PANEL.
- DO NOT RUN CABLES IN FRONT OF SWITCH. RUN ALL CABLES ON RIGHT SIDE.
- MAINTAIN ELECTRICAL CLEARANCE OF 1(25mm) MIN. BETWEEN LIVE METAL PARTS AND GROUNDED METAL.
- DIMENSIONS FOR 3-POLE AND 4-POLE SWITCHES ARE IDENTICAL EXCEPT AS NOTED.
- ALL DIMENSIONS ARE FOR REFERENCE ONLY AND SHOWN IN INCHES(MILLIMETERS).
- SEE "DOOR DETAIL" & "CONTROL PANEL" DIMENSIONS ON SHEET 3.



TITLE
ZTE 1000A-1200A 2,3,4 POLE
OPEN STYLE - REAR BUS

FIRST MADE FOR: ZTE 1000-1200 AMP 2, 3 & 4 POLE

SIZE CAGE CODE DWG NO
B
90C-2003

SCALE: N/A SHEET 2 OF 3

THIRD ANGLE PROJECTION

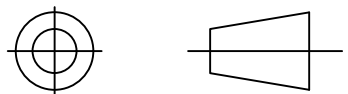


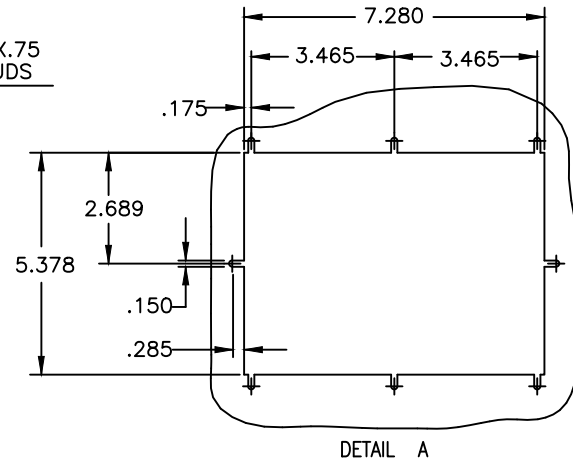
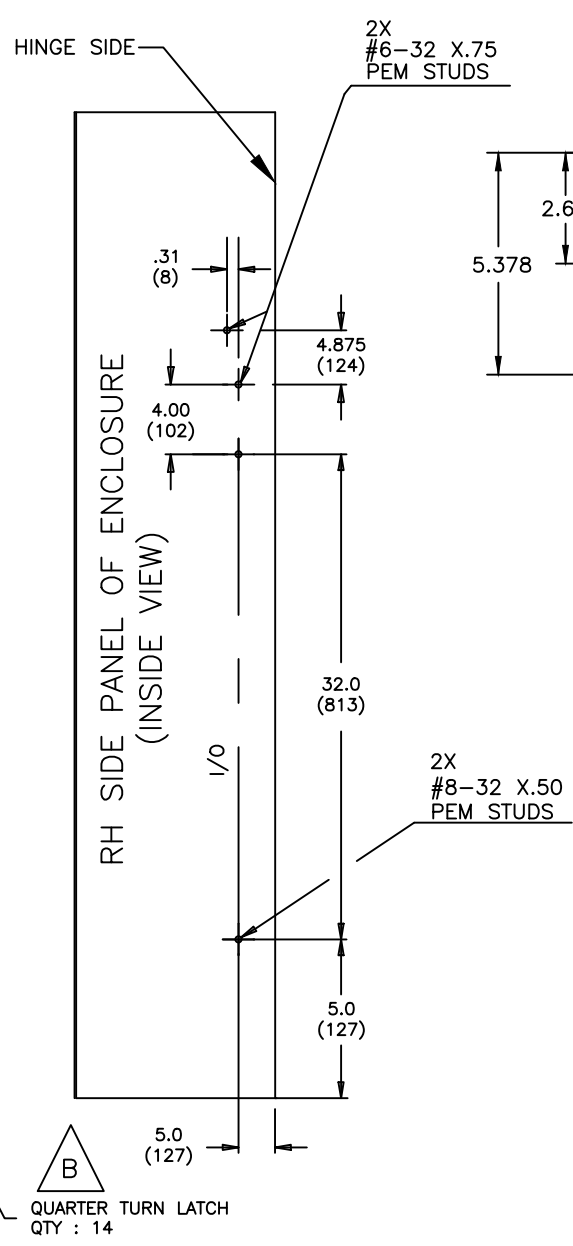
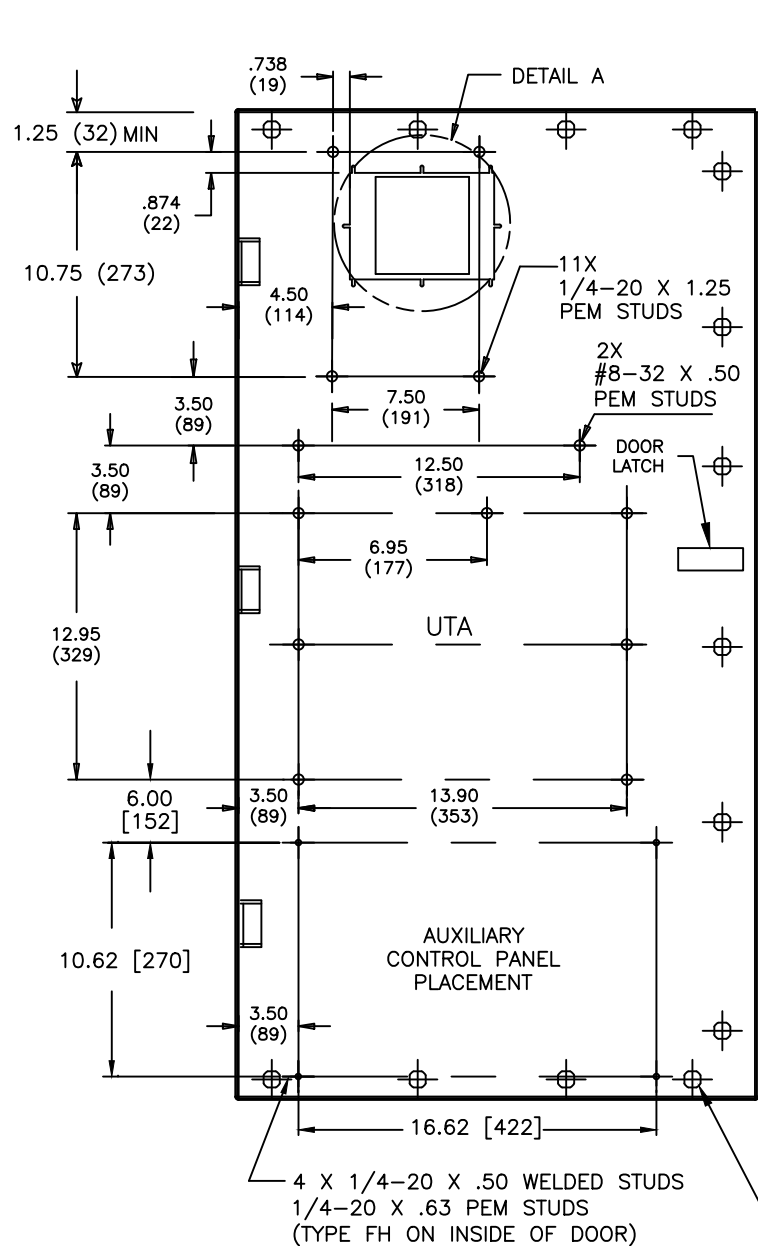
ABB PROPRIETARY AND CONFIDENTIAL INFORMATION

The information contained in the document has to be kept strictly confidential. Any unauthorized use, reproduction, distribution or disclosure to third parties is strictly forbidden. ABB reserves all rights regarding intellectual Property Rights. Copyright 2018 ABB. All rights reserved

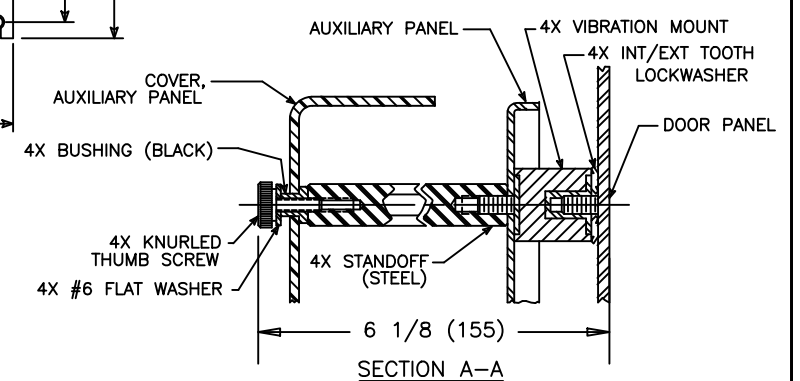
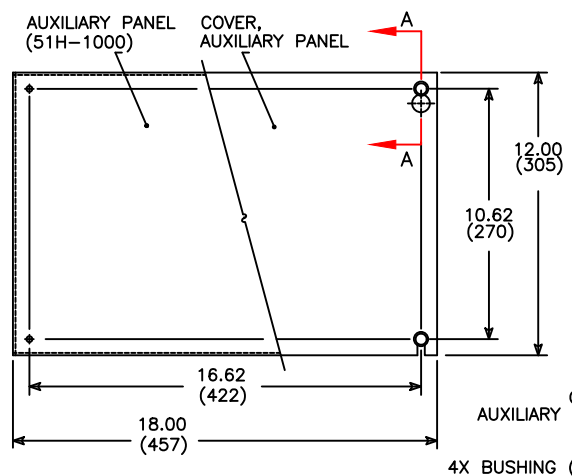
AutoCad Generated

SIGNATURES		DATE
MODEL	GG	02/21/08
DETAIL		
CHECKED		
ENGRG	MF	
MFG		
QUALITY		
ISSUED		
DRAWING FILE:	90c-2003.dwg	
MODEL / ASSEMBLY FILE:	ZTE 1000-1200 AMP 2, 3 & 4 POLE	
# CTQs	CRITICAL TO QUALITY CHARACTERISTIC	

DOOR DETAIL (INSIDE VIEW)



AUXILIARY CONTROL PANEL



NOTES:

- FOR 2-POLE SWITCHES, OMIT CENTER POLE.
- OPEN TYPE SWITCH SUPPLIED WITH 6 FT. (1.8m) LONG HARNESS BETWEEN POWER AND CONTROL PANELS. HARNESS EXITS FROM LOWER RIGHT CORNER OF POWER PANEL.
- DO NOT RUN CABLES IN FRONT OF SWITCH. RUN ALL CABLES ON RIGHT SIDE.
- MAINTAIN ELECTRICAL CLEARANCE OF 1(25mm) MIN. BETWEEN LIVE METAL PARTS AND GROUNDED METAL.
- DIMENSIONS FOR 3-POLE AND 4-POLE SWITCHES ARE IDENTICAL EXCEPT AS NOTED.
- ALL DIMENSIONS ARE FOR REFERENCE ONLY AND SHOWN IN INCHES(MILLIMETERS).
- SEE "DOOR DETAIL" & "CONTROL PANEL" DIMENSIONS ON SHEET 3.



SIGNATURES		DATE
MODEL	GG	02/21/08
DETAIL		
CHECKED		
ENGRG	MF	
MFG		
QUALITY		
ISSUED		
DRAWING FILE: 90c-2003.dwg		TITLE
MODEL / ASSEMBLY FILE: ZTE 1000-1200 AMP 2,3 & 4 POLE		ZTE 1000A-1200A 2,3,4 POLE OPEN STYLE - DOOR LAYOUT
# CTQs	⊖ CRITICAL TO QUALITY CHARACTERISTIC	FIRST MADE FOR: ZTE 1000-1200 AMP 2, 3 & 4 POLE

SIZE	CAGE CODE	DWG NO
B		90C-2003
SCALE: N/A		SHEET 3 OF 3

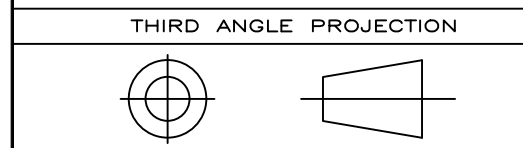


ABB PROPRIETARY AND CONFIDENTIAL INFORMATION
 The information contained in the document has to be kept strictly confidential. Any unauthorized use, reproduction, distribution or disclosure to third parties is strictly forbidden. ABB reserves all rights regarding intellectual Property Rights. Copyright 2018 ABB. All rights reserved.

AutoCad Generated