

LUG DETAILS	LUG SIZE
1600-2000 AMP	(QTY 8) #2- 600 MCM (33-304mm ²)

REVISIONS			
REV.	DESCRIPTION	DATE	APPROVED
1	CO76899 UPDATED REBRANDING	10/14/19	AR MAS

- NOTES:
- FOR 2-POLE SWITCHES, OMIT CENTER POLE.
 - OPEN TYPE SWITCH SUPPLIED WITH 6 FT. (1,8m) LONG HARNESS BETWEEN POWER AND CONTROL PANELS. HARNESS EXITS FROM LOWER RIGHT CORNER OF POWER PANEL.
 - DO NOT RUN CABLES IN FRONT OF SWITCH. RUN ALL CABLES ON RIGHT SIDE.
 - MAINTAIN ELECTRICAL CLEARANCE OF 1(25mm) MIN. BETWEEN LIVE METAL PARTS AND GROUNDED METAL.
 - ALL DIMENSIONS ARE FOR REFERENCE ONLY AND SHOWN IN INCHES(MILLIMETERS).
 - SEE "DOOR DETAIL" & "CONTROL PANEL" DIMENSIONS ON SHEET 3.

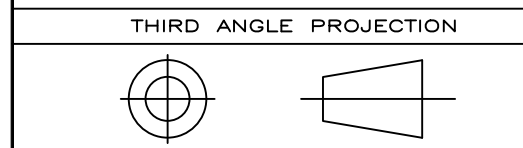


ABB PROPRIETARY AND CONFIDENTIAL INFORMATION

The information contained in the document has to be kept strictly confidential. Any unauthorized use, reproduction, distribution or disclosure to third parties is strictly forbidden. ABB reserves all rights regarding intellectual Property Rights. Copyright 2018 ABB. All rights reserved.

SIGNATURES		DATE
MODEL	SG	02/21/08
DETAIL		
CHECKED		
ENGRG	SB	02/21/08
MFG		
QUALITY		
ISSUED		
DRAWING FILE:	90C-2004.dwg	
MODEL / ASSEMBLY FILE:	ZTE 1600-2000 AMP	
# CTQs	⊕ CRITICAL TO QUALITY CHARACTERISTIC	

ABB

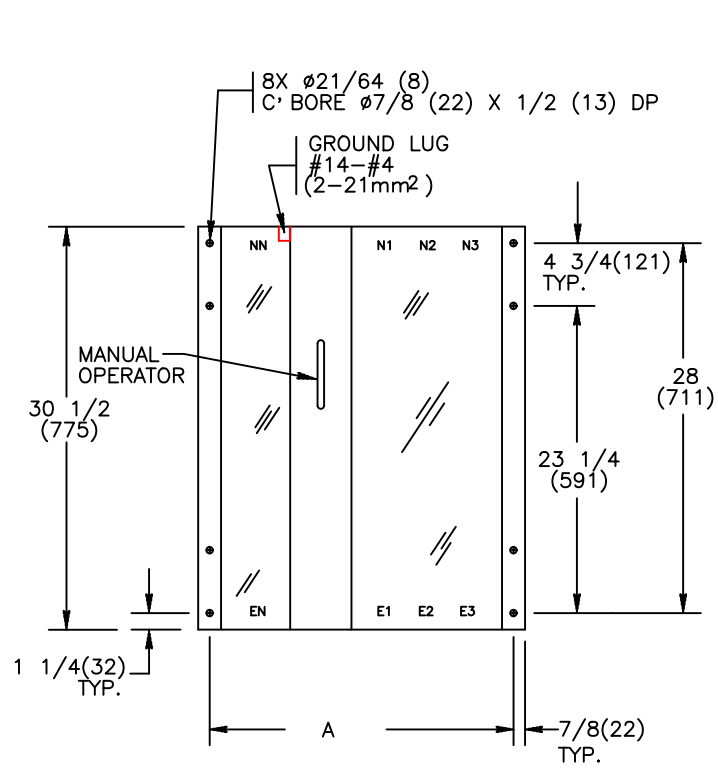
TITLE
ZTE 1600A-2000A 2,3,4 POLE
OPEN STYLE - REAR BUS

FIRST MADE FOR: ZTE 1600-2000 AMP 2, 3, & 4 POLE

SIZE	CAGE CODE	DWG NO
B		90C-2004

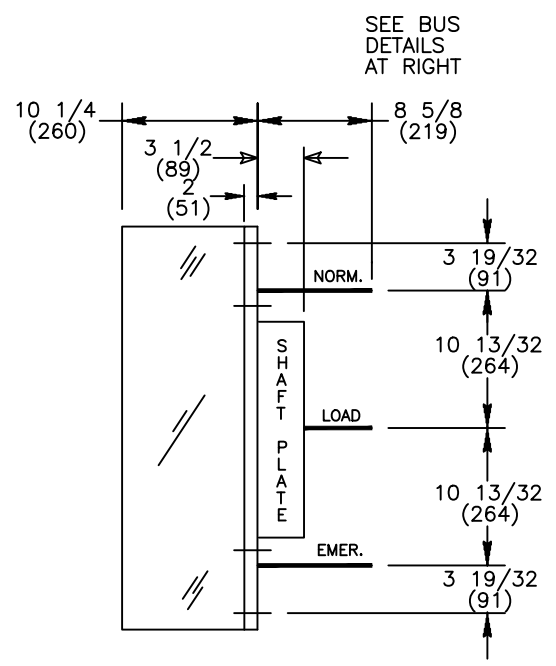
SCALE: N/A SHEET 1 OF 3

AutoCad Generated



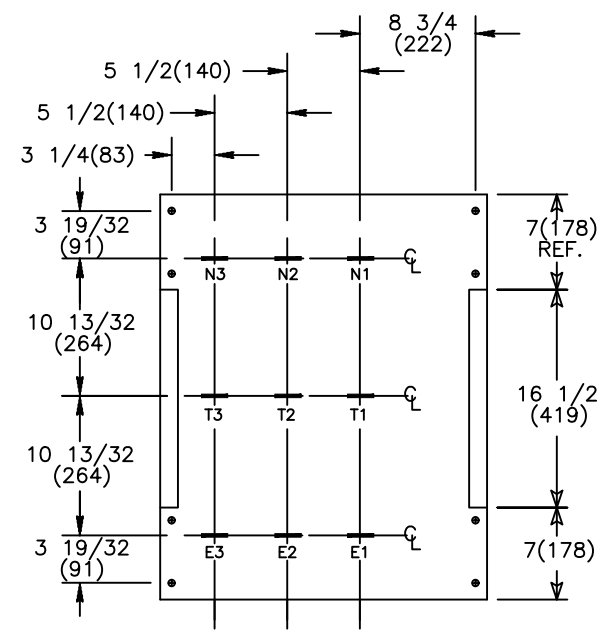
FRONT VIEW

	A
2/3-POLE	23 (584)
4-POLE	28 1/2 (724)



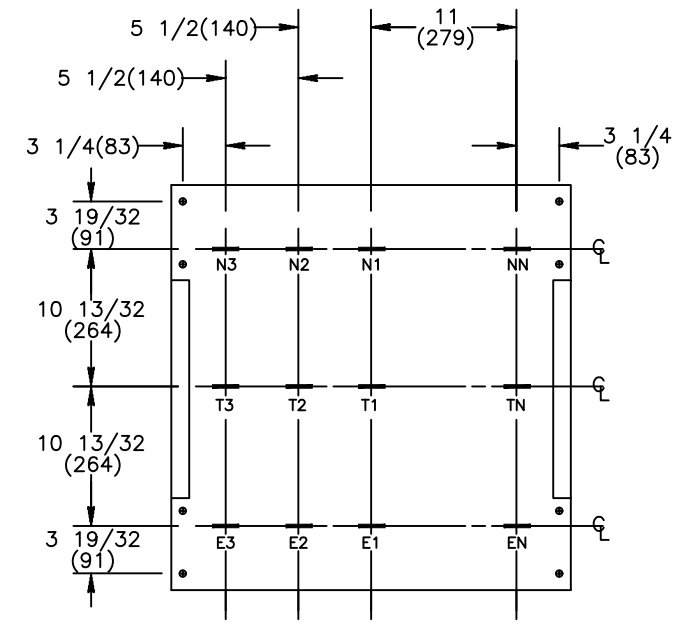
RIGHT SIDE VIEW

SEE BUS DETAILS AT RIGHT



2/3-POLE SWITCH

BUS DETAILS (REAR VIEW)

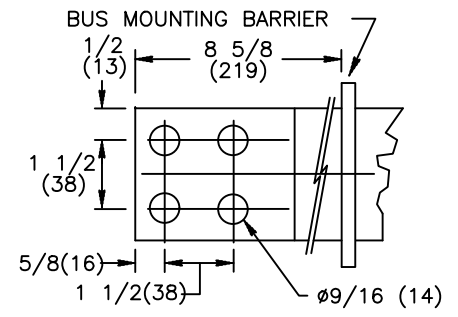


4-POLE SWITCH

BUS DETAILS (REAR VIEW)

NOTES:

- FOR 2-POLE SWITCHES, OMIT CENTER POLE.
- OPEN TYPE SWITCH SUPPLIED WITH 6 FT. (1,8m) LONG HARNESS BETWEEN POWER AND CONTROL PANELS. HARNESS EXITS FROM LOWER RIGHT CORNER OF POWER PANEL.
- DO NOT RUN CABLES IN FRONT OF SWITCH. RUN ALL CABLES ON RIGHT SIDE.
- MAINTAIN ELECTRICAL CLEARANCE OF 1(25mm) MIN. BETWEEN LIVE METAL PARTS AND GROUNDED METAL.
- ALL DIMENSIONS ARE FOR REFERENCE ONLY AND SHOWN IN INCHES(MILLIMETERS).
- SEE "DOOR DETAIL" & "CONTROL PANEL" DIMENSIONS ON SHEET 3.



BUS DETAIL
3/4(19) x 2 1/2(64)
BAR

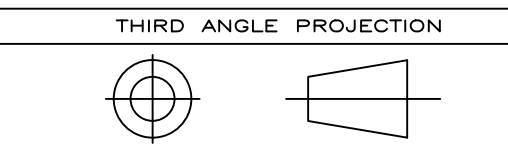


ABB PROPRIETARY AND CONFIDENTIAL INFORMATION
 The information contained in the document has to be kept strictly confidential. Any unauthorized use, reproduction, distribution or disclosure to third parties is strictly forbidden. ABB reserves all rights regarding intellectual Property Rights. Copyright 2018 ABB. All rights reserved.

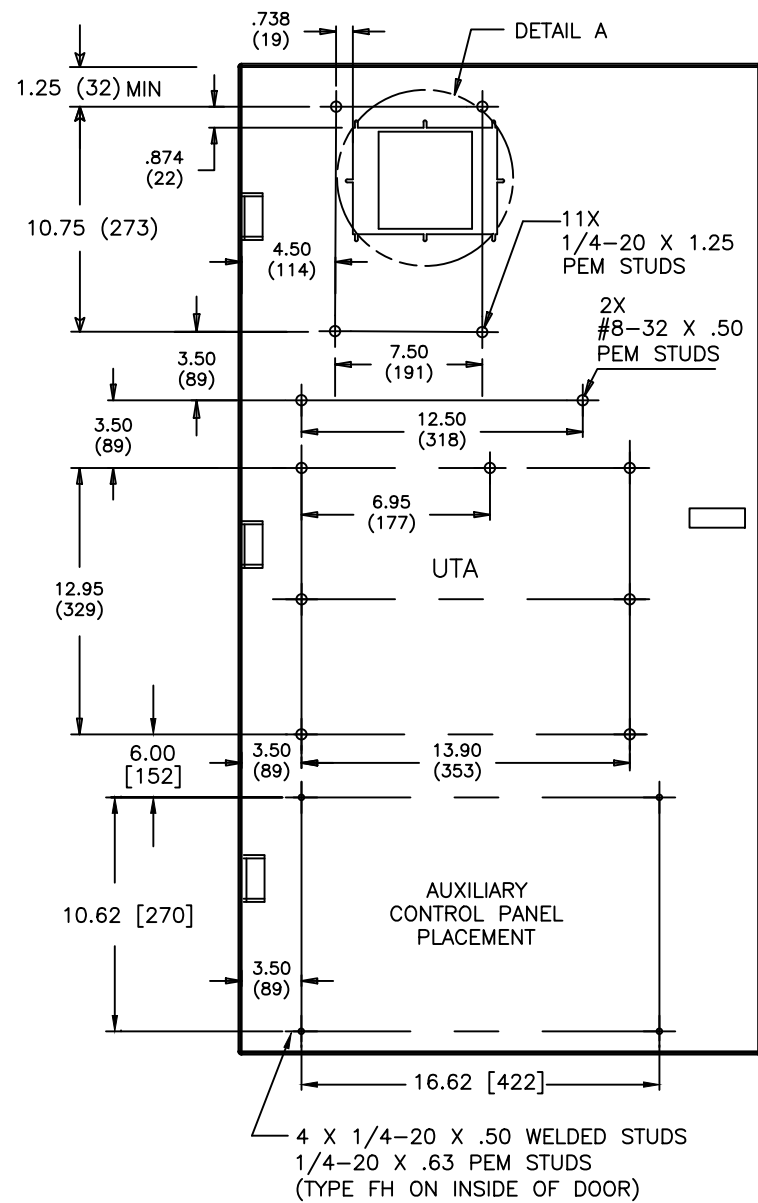
AutoCad Generated

SIGNATURES		DATE
MODEL	SG	02/21/08
DETAIL		
CHECKED		
ENGRG	SB	02/21/08
MFG		
QUALITY		
ISSUED		
DRAWING FILE:	90c-2004.dwg	
MODEL / ASSEMBLY FILE:	ZTE 1600-2000 AMP 2, 3 & 4 POLE	
# CTQs	⊖ CRITICAL TO QUALITY CHARACTERISTIC	

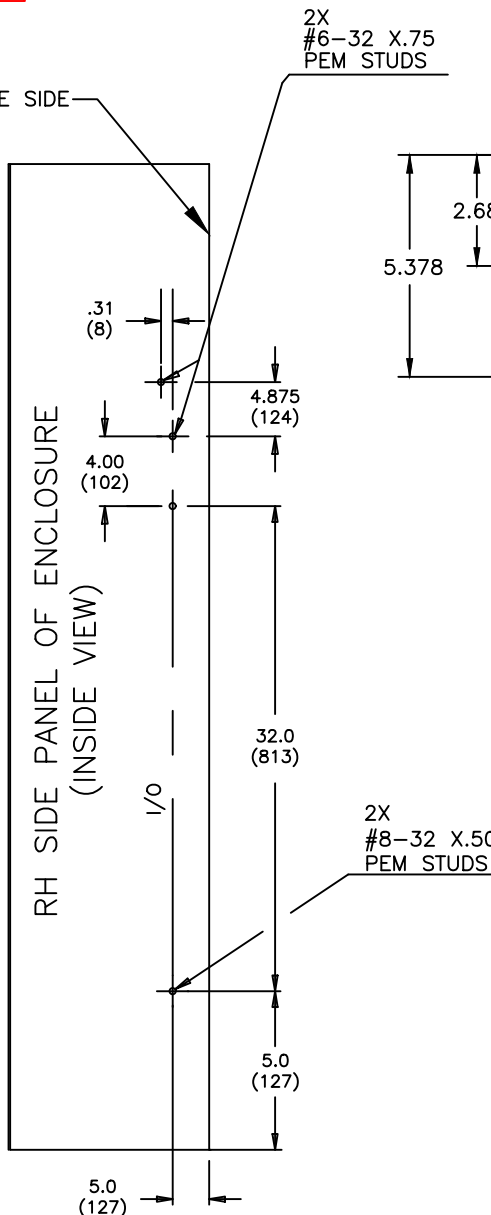
ABB		
TITLE ZTE 1600-2000A 2,3,4 POLE OPEN STYLE - REAR BUS		
FIRST MADE FOR: ZTE 1600-2000 AMP 2, 3 & 4 POLE		
SIZE	CAGE CODE	DWG NO
B		90C-2004
SCALE:	N/A	SHEET 2 OF 3



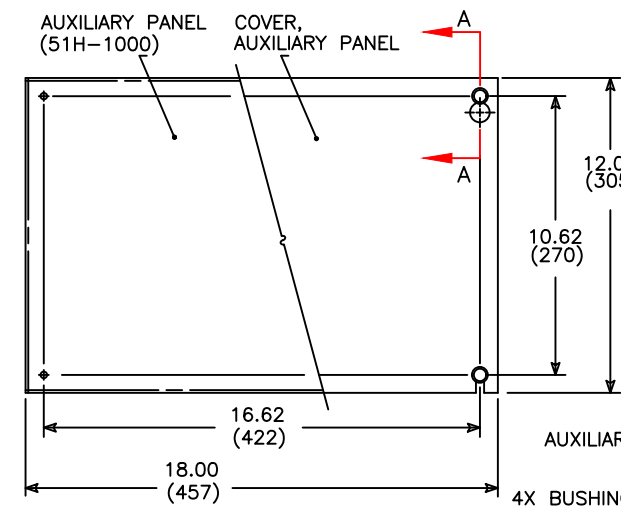
DOOR DETAIL (INSIDE VIEW)



RH SIDE PANEL OF ENCLOSURE (INSIDE VIEW)

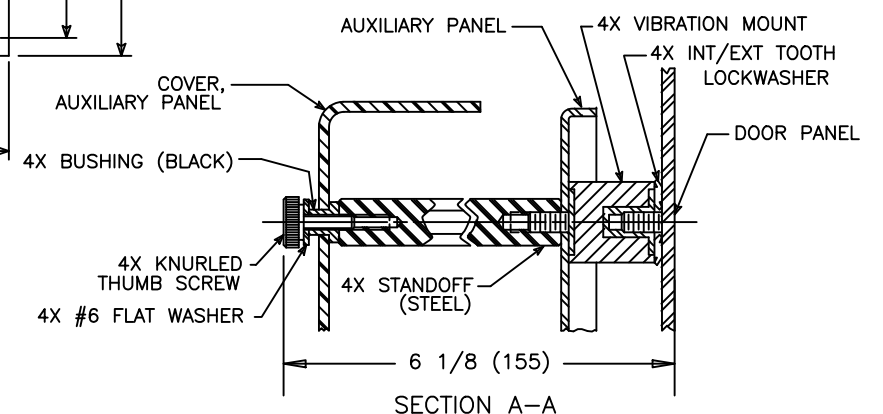


AUXILIARY CONTROL PANEL



NOTES:

1. FOR 2-POLE SWITCHES, OMIT CENTER POLE.
2. OPEN TYPE SWITCH SUPPLIED WITH 6 FT. (1.8m) LONG HARNESS BETWEEN POWER AND CONTROL PANELS. HARNESS EXITS FROM LOWER RIGHT CORNER OF POWER PANEL.
3. DO NOT RUN CABLES IN FRONT OF SWITCH. RUN ALL CABLES ON RIGHT SIDE.
4. MAINTAIN ELECTRICAL CLEARANCE OF 1(25mm) MIN. BETWEEN LIVE METAL PARTS AND GROUNDED METAL.
5. ALL DIMENSIONS ARE FOR REFERENCE ONLY AND SHOWN IN INCHES(MILLIMETERS).
6. SEE "DOOR DETAIL" & "CONTROL PANEL" DIMENSIONS ON SHEET 3.



SIGNATURES		DATE		ABB TITLE ZTE 1600-2000A 2,3,4 POLE OPEN STYLE-DOOR LAYOUT FIRST MADE FOR: ZTE 1600-2000 AMP 2, 3 & 4 POLE	
MODEL	SG	02/21/08			
DETAIL					
CHECKED					
ENGRG	SB	02/21/08			
MFG					
QUALITY				DWG NO	
ISSUED				90C-2004	
DRAWING FILE: 90C-2004.dwg		SIZE	CAGE CODE	DWG NO	
MODEL / ASSEMBLY FILE: ZTE 1600-2000 AMP		B		90C-2004	
# CTQs		CRITICAL TO QUALITY CHARACTERISTIC		SCALE: N/A	SHEET 3 OF 3

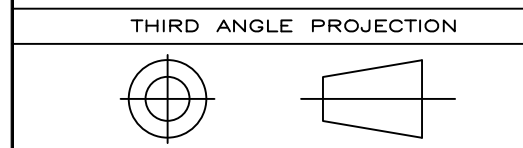


ABB PROPRIETARY AND CONFIDENTIAL INFORMATION
 The information contained in the document has to be kept strictly confidential. Any unauthorized use, reproduction, distribution or disclosure to third parties is strictly forbidden. ABB reserves all rights regarding intellectual Property Rights. Copyright 2018 ABB. All rights reserved.

AutoCad Generated