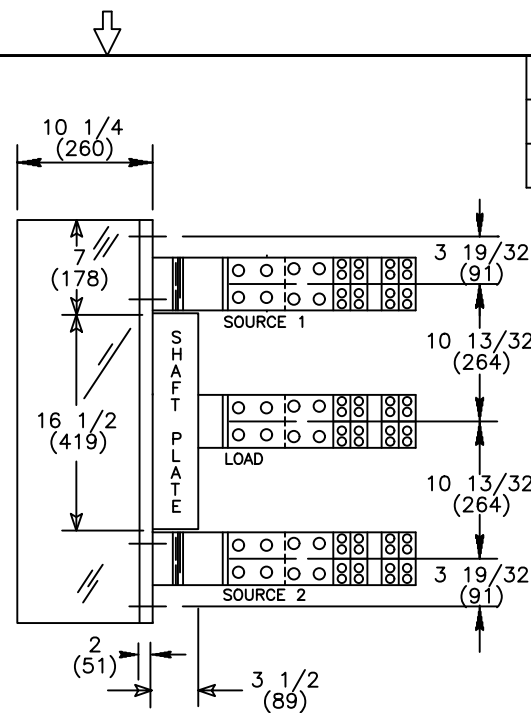
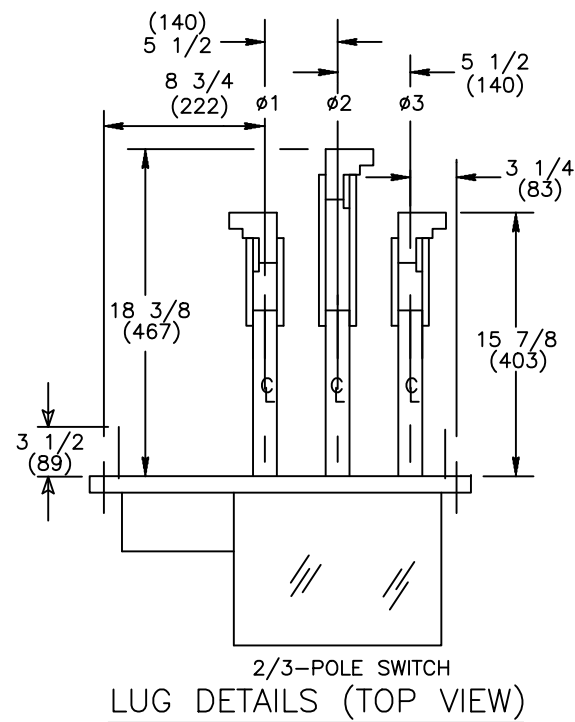


FRONT VIEW

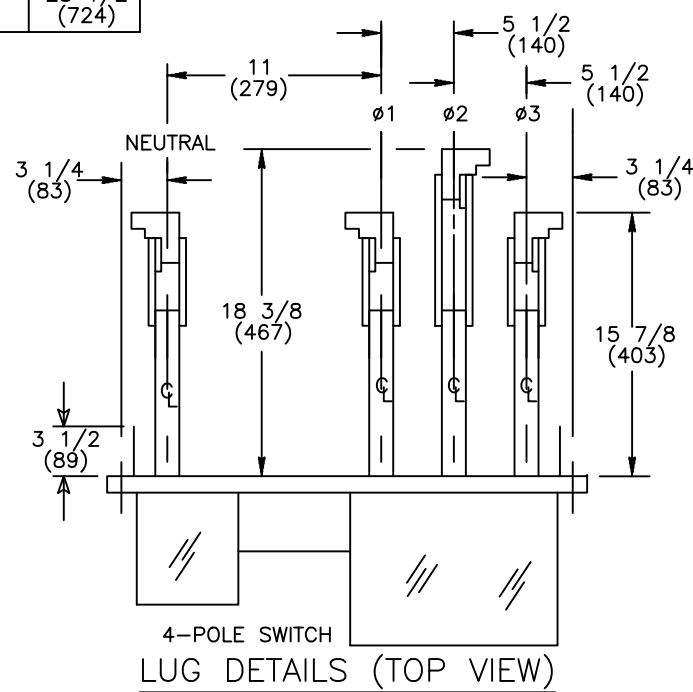
	A
2/3-POLE	23 (584)
4-POLE	28 1/2 (724)



RIGHT SIDE VIEW



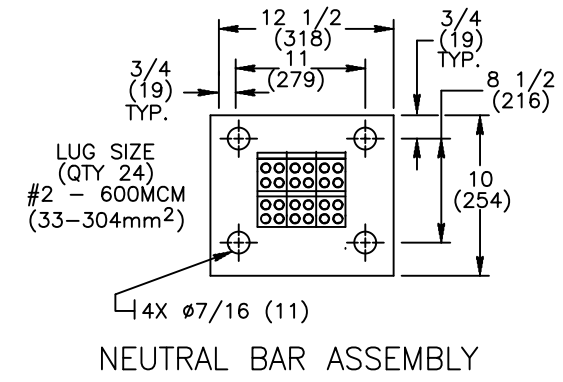
2/3-POLE SWITCH LUG DETAILS (TOP VIEW)



4-POLE SWITCH LUG DETAILS (TOP VIEW)

	LUG SIZE
3000 AMP	(QTY 8) #2- 600 MCM (33-304mm ²)

REVISIONS			
REV.	DESCRIPTION	DATE	APPROVED
1	C076899	10/14/19	GK MAS



NEUTRAL BAR ASSEMBLY

NOTES:

- FOR 2-POLE SWITCHES, OMIT CENTER POLE.
- OPEN TYPE SWITCH SUPPLIED WITH 6 FT. (1.8m) LONG HARNESS BETWEEN POWER AND CONTROL PANELS. HARNESS EXITS FROM LOWER RIGHT CORNER OF POWER PANEL.
- DO NOT RUN CABLES IN FRONT OF SWITCH. RUN ALL CABLES ON RIGHT SIDE.
- MAINTAIN ELECTRICAL CLEARANCE OF 1(25mm) MIN. BETWEEN LIVE METAL PARTS AND GROUNDED METAL.
- ALL DIMENSIONS ARE FOR REFERENCE ONLY AND SHOWN IN INCHES(MILLIMETERS).



TITLE
ZTE 3000 AMP 2,3,4 POLE
OPEN STYLE - REAR LUGS

SIGNATURES	DATE
MODEL SG	02/21/08
DETAIL	
CHECKED	
ENGRG SB	02/21/08
MFG	
QUALITY	
ISSUED	
DRAWING FILE: 90c-2005.dwg	
MODEL / ASSEMBLY FILE: ZTE 3000 AMP 2, 3 & 4 POLE	
# CTQs	⊖ CRITICAL TO QUALITY CHARACTERISTIC

FIRST MADE FOR: ZTE 3000 AMP 2, 3 & 4 POLE	SIZE	CAGE CODE	DWG NO
	B		90C-2005
SCALE: N/A		SHEET 1 OF 3	

THIRD ANGLE PROJECTION

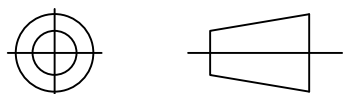
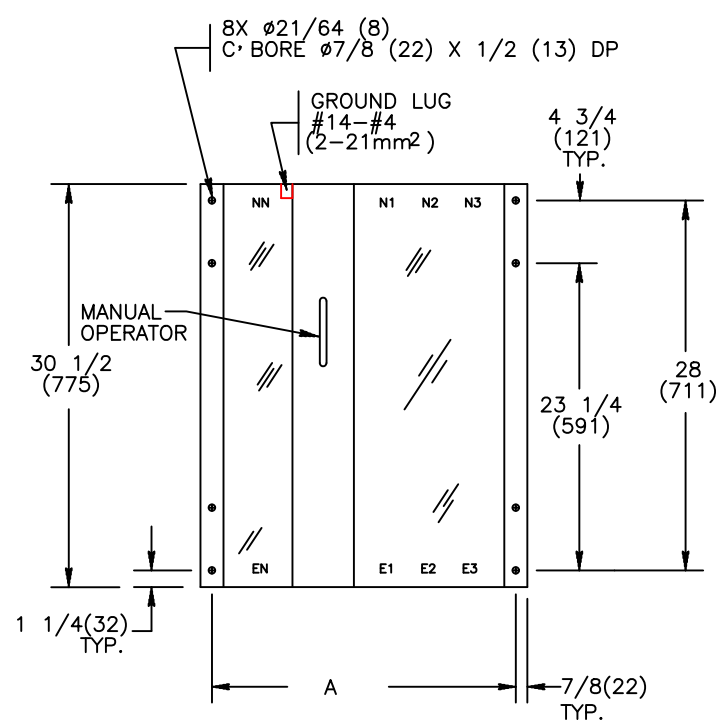


ABB PROPRIETARY AND CONFIDENTIAL INFORMATION

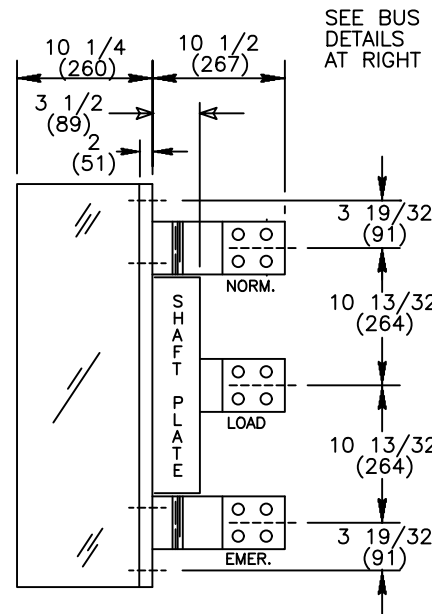
The information contained in the document has to be kept strictly confidential. Any unauthorized use, reproduction, distribution or disclosure to third parties is strictly forbidden. ABB reserves all rights regarding intellectual Property Rights. Copyright 2018 ABB. All rights reserved

AutoCad Generated

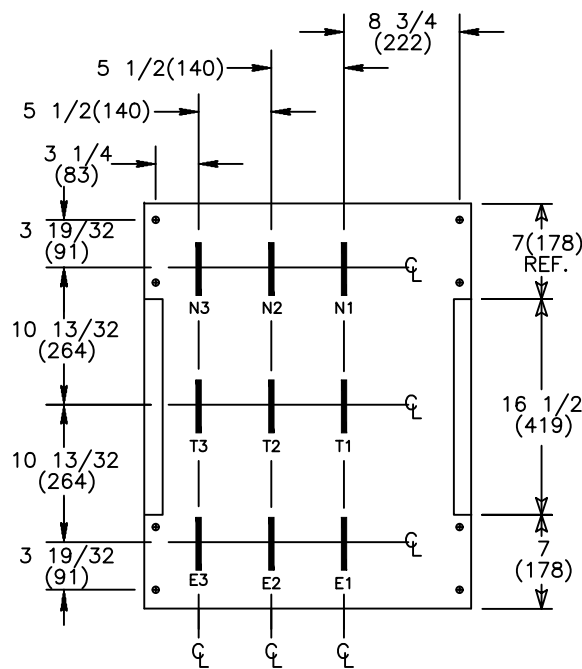


FRONT VIEW

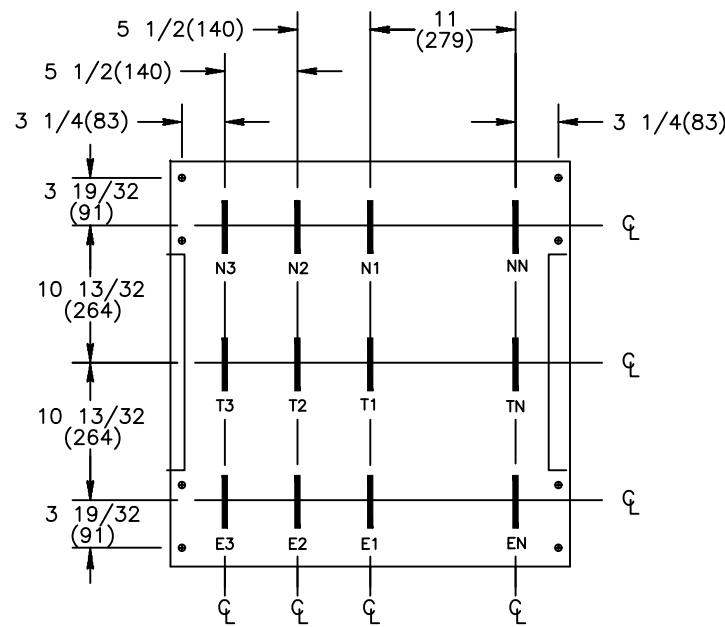
	A
2/3-POLE	23 (584)
4-POLE	28 1/2 (724)



RIGHT SIDE VIEW



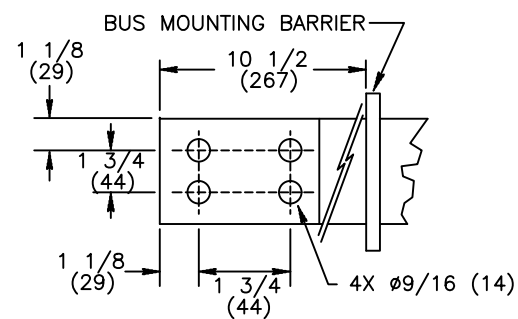
2/3-POLE SWITCH
BUS DETAILS (REAR VIEW)



4-POLE SWITCH
BUS DETAILS (REAR VIEW)

NOTES:

- FOR 2-POLE SWITCHES, OMIT CENTER POLE.
- OPEN TYPE SWITCH SUPPLIED WITH 6 FT. (1.8m) LONG HARNESS BETWEEN POWER AND CONTROL PANELS. HARNESS EXITS FROM LOWER RIGHT CORNER OF POWER PANEL.
- DO NOT RUN CABLES IN FRONT OF SWITCH. RUN ALL CABLES ON RIGHT SIDE.
- MAINTAIN ELECTRICAL CLEARANCE OF 1(25mm) MIN. BETWEEN LIVE METAL PARTS AND GROUNDED METAL.
- ALL DIMENSIONS ARE FOR REFERENCE ONLY AND SHOWN IN INCHES(MILLIMETERS).
- SEE "DOOR DETAIL" & "CONTROL PANEL" DIMENSIONS ON SHEET 3.



BUS DETAIL
1(25) X 4(102) BAR

SIGNATURES		DATE		ABB	
MODEL SG		02/21/08			
CHECKED		TITLE		ZTE 3000 AMP 2,3,4 POLE OPEN STYLE - REAR BUS	
ENGRG SB		02/21/08		FIRST MADE FOR: ZTE 3000 AMP 2, 3 & 4 POLE	
MFG		SIZE		CAGE CODE	
QUALITY		DWG NO		90C-2005	
ISSUED		DRAWING FILE: 90c-2005.dwg		SCALE: N/A	
DRAWING FILE: 90c-2005.dwg		MODEL / ASSEMBLY FILE: ZTE 3000 AMP 2, 3 & 4 POLE		SHEET 2 OF 3	
# CTQs		CRITICAL TO QUALITY CHARACTERISTIC			

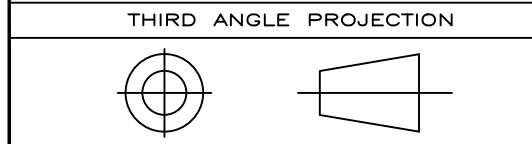
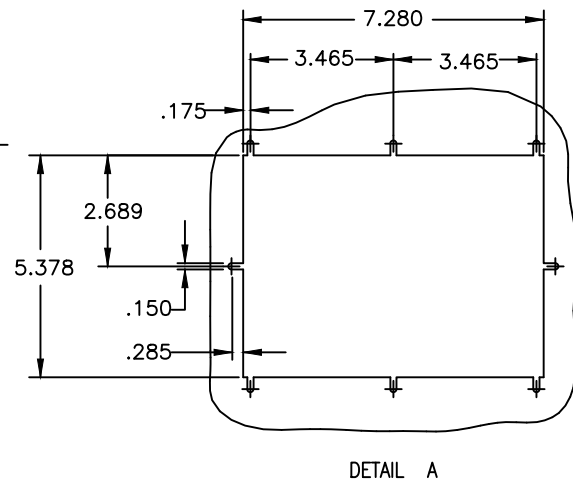
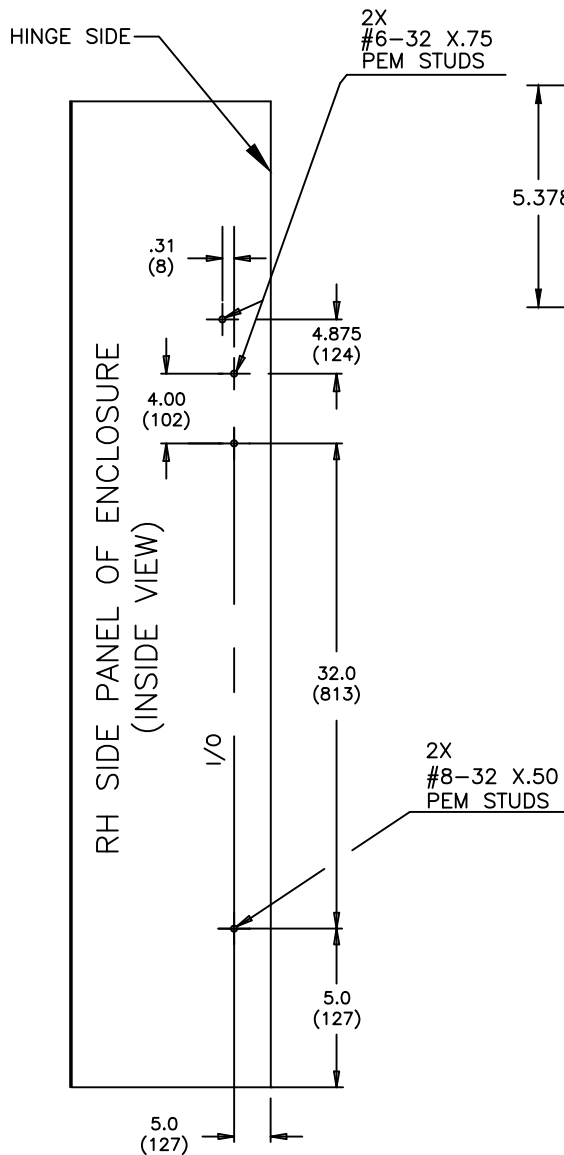
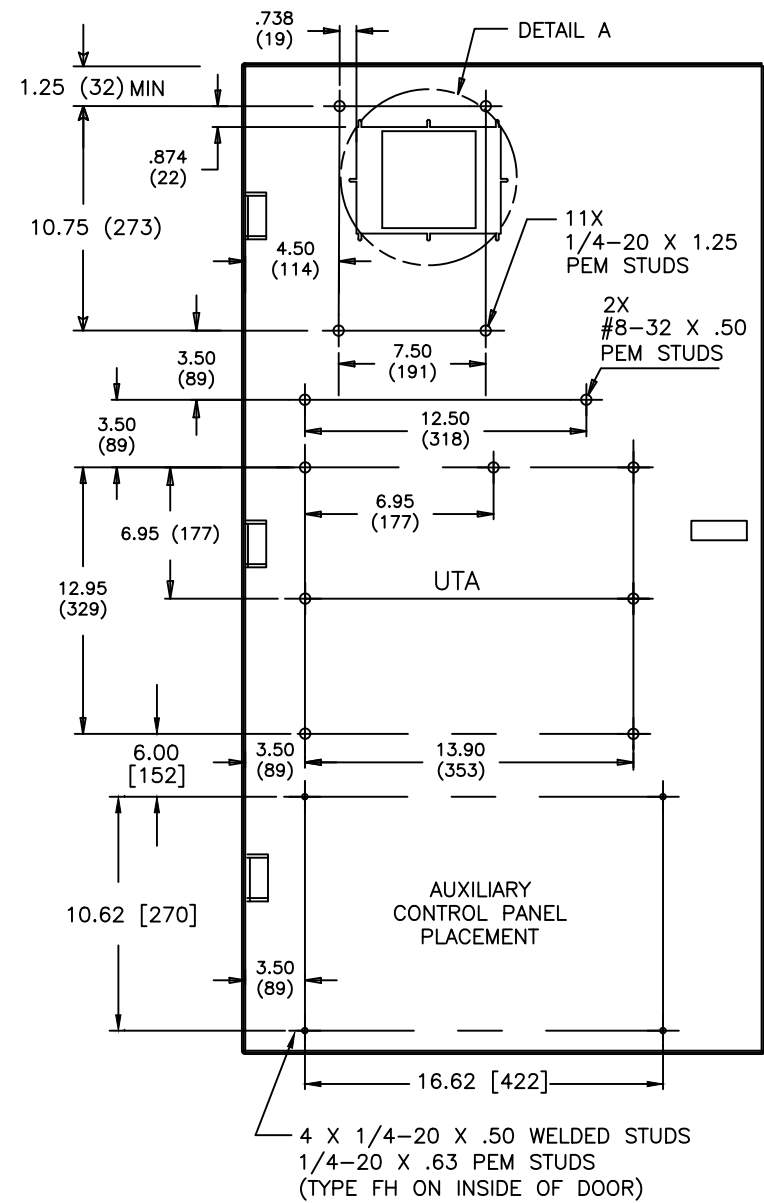


ABB PROPRIETARY AND CONFIDENTIAL INFORMATION
The information contained in the document has to be kept strictly confidential. Any unauthorized use, reproduction, distribution or disclosure to third parties is strictly forbidden. ABB reserves all rights regarding intellectual Property Rights. Copyright 2018 ABB. All rights reserved.

AutoCad Generated

DOOR DETAIL (INSIDE VIEW)



AUXILIARY CONTROL PANEL

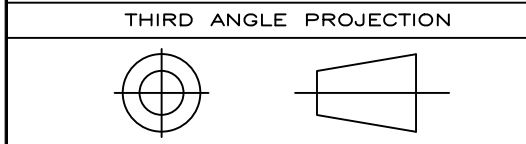
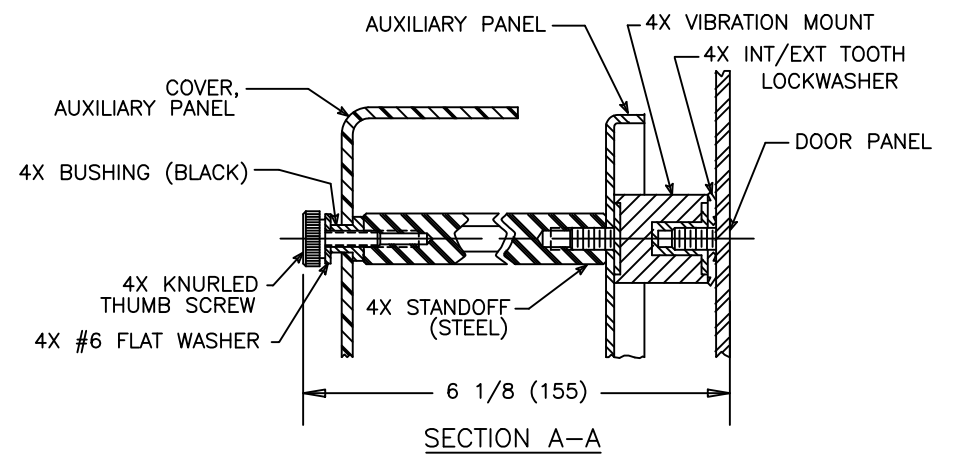
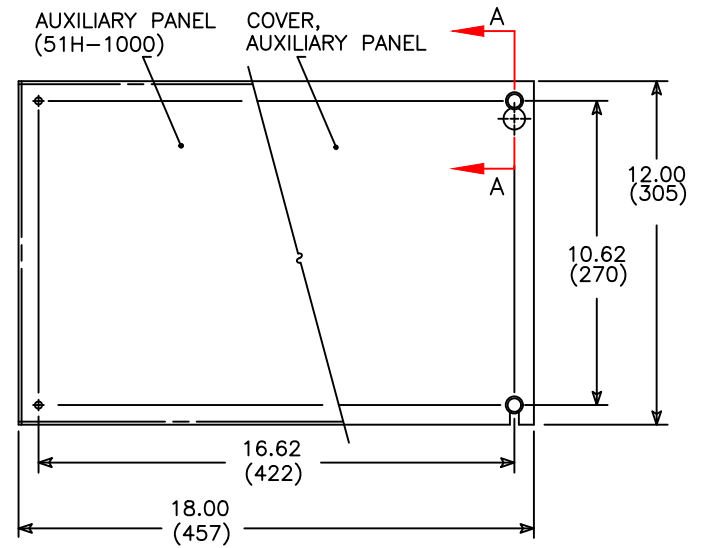


ABB PROPRIETARY AND CONFIDENTIAL INFORMATION
 The information contained in the document has to be kept strictly confidential.
 Any unauthorized use, reproduction, distribution or disclosure to third parties is strictly forbidden.
 ABB reserves all rights regarding intellectual Property Rights.
 Copyright 2018 ABB. All rights reserved

AutoCad Generated

SIGNATURES		DATE
MODEL	SG	02/21/08
DETAIL		
CHECKED		
ENGRG	SB	02/21/08
MFG		
QUALITY		
ISSUED		
DRAWING FILE:	90C-2005.dwg	
MODEL / ASSEMBLY FILE:	ZTE 1600-2000 AMP	
# CTQs	⊖ CRITICAL TO QUALITY CHARACTERISTIC	

ABB		
TITLE ZTE 3000 AMP 2,3,4 POLE OPEN STYLE-DOOR LAYOUT		
FIRST MADE FOR:	ZTE 3000 AMP 2, 3 & 4 POLE	
SIZE	CAGE CODE	DWG NO
B		90C-2005
SCALE:	N/A	SHEET 3 OF 3