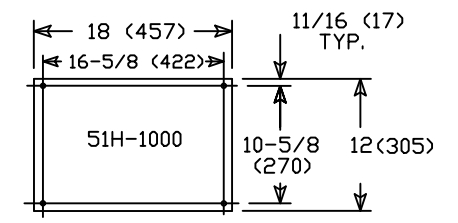
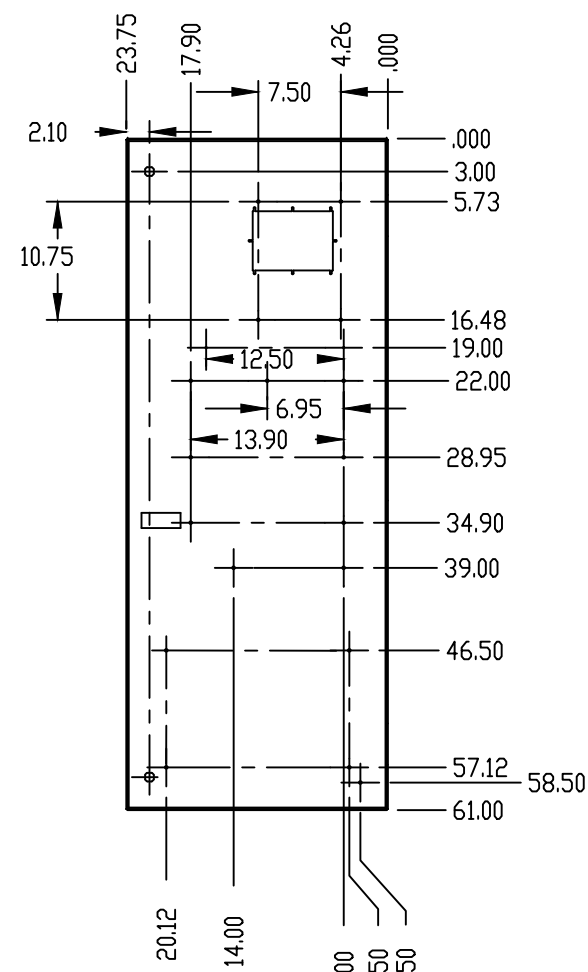
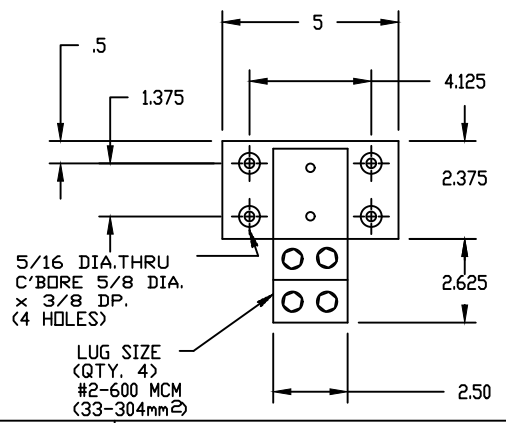


REVISIONS			
REV.	DESCRIPTION	DATE	APPROVED
1	C075076 UPDATED REBRANDING	09/13/19	AR MAS

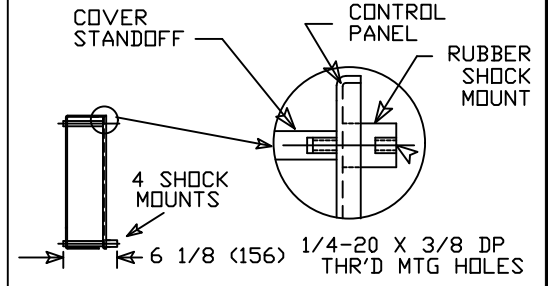
- NOTES:
- OPEN TYPE SWITCH SUPPLIED WITH 6 FT. (1.8m) LONG HARNESS BETWEEN POWER AND CONTROL PANELS. HARNESS EXITS FROM LOWER
 - DO NOT RUN CABLES IN FRONT OF SWITCH RUN ALL CABLES ON RIGHT SIDE.
 - MAINTAIN ELECTRICAL CLEARANCE OF 1(25mm) MIN. BETWEEN LIVE METAL PARTS AND GROUNDED METAL.
 - ALL DIMENSIONS ARE FOR REFERENCE ONLY. SHOWN IN INCHES.



100-400 AMP NEUTRAL BAR ASSEMBLY MOUNTING DETAIL



	QTY.	LUG SIZES	NOTE
100-400A	1	#4 - 600 MCM (33-304 MM ²)	DRAWING SHOWN WITH 600 MCM LUG CONFIGURATION FOR REFERENCE ONLY.



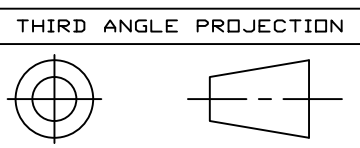
TRANSFER SWITCH 100-400 FRONT LUGS

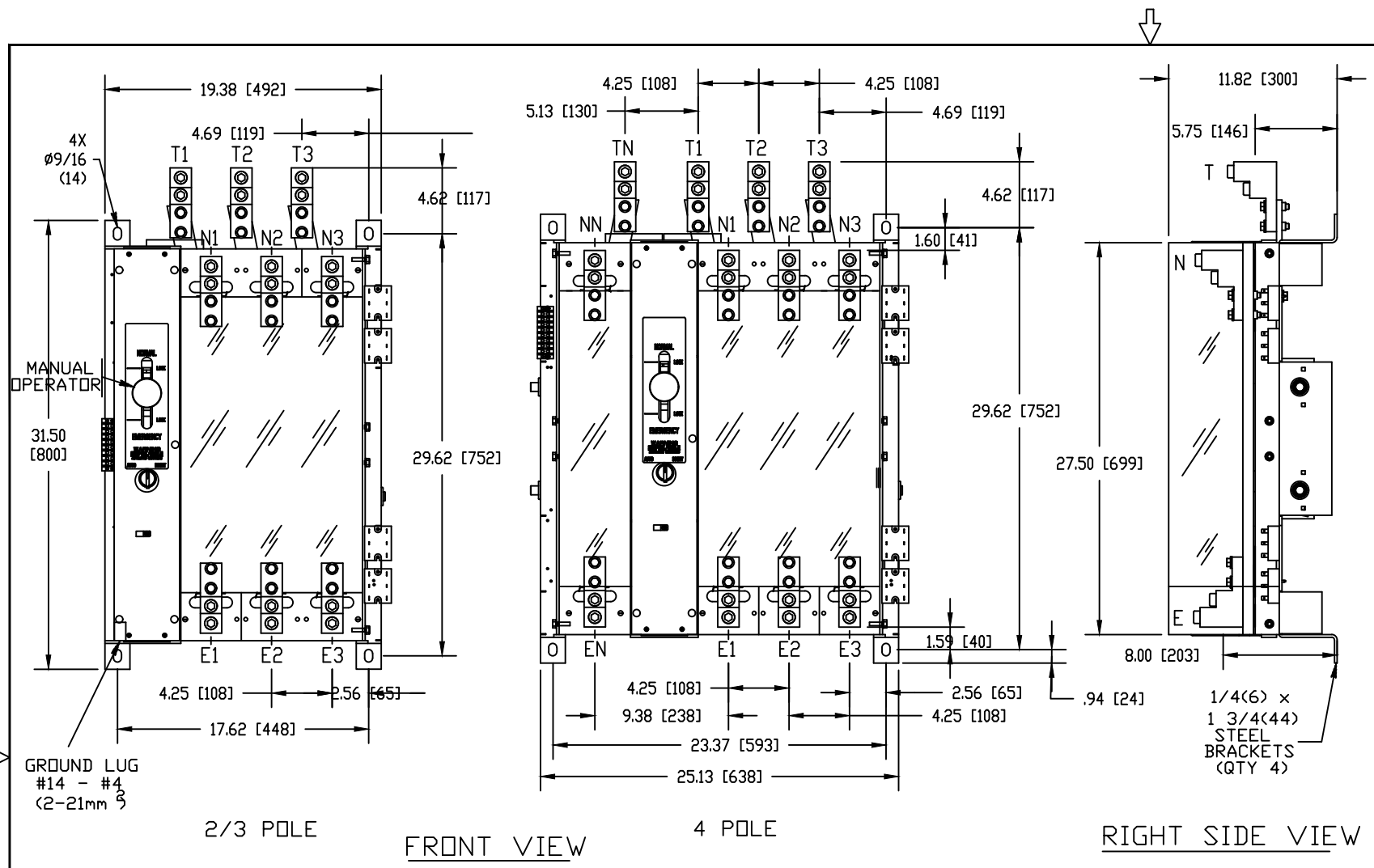
FOR ADDITIONAL INFO REFER TO	SIGNATURES	DATE
APPLIED PRACTICES	MODEL PM	1/27/10
UNLESS OTHERWISE SPECIFIED DIMENSIONS ARE IN INCHES	DETAIL	
TOLERANCES ON:	CHECKED	
2 PL. DECIMALS ± .020	ENGRG PM	1/27/10
3 PL. DECIMALS ± .005	MFG	
ANGLES ± 1°	QUALITY	
FRACTIONS ± 1/64	ISSUED	
FINISH	DRAWING FILE: 90C-2008-c-1.dwg	
✓	MODEL / ASSEMBLY FILE: ZTECT100-400	

FIRST MADE FOR: 100-400 ZTECT	SIZE B	CAGE CODE	DWG NO
			90C-2008
AutoCad Generated	# CTGs	CRITICAL TO QUALITY CHARACTERISTIC	SCALE: NA
			SHEET 1 OF 4

ABB PROPRIETARY AND CONFIDENTIAL INFORMATION

The information contained in the document has to be kept strictly confidential. Any unauthorized use, reproduction, distribution or disclosure to third parties is strictly forbidden. ABB reserves all rights regarding intellectual Property Rights. Copyright 2018 ABB. All rights reserved.





- NOTES:**
- FOR 2-POLE SWITCHES, OMIT CENTER POLE.
 - OPEN TYPE SWITCH SUPPLIED WITH 6 FT. (1.8m) LONG HARNESS BETWEEN POWER AND CONTROL PANELS. HARNESS EXITS FROM LOWER RIGHT CORNER OF POWER PANEL.
 - DO NOT RUN CABLES IN FRONT OF SWITCH. RUN ALL CABLES ON RIGHT SIDE.
 - MAINTAIN ELECTRICAL CLEARANCE OF 1(25mm) MIN. BETWEEN LIVE METAL PARTS AND GROUNDED METAL.
 - DIMENSIONS FOR 3-POLE AND 4-POLE SWITCHES ARE IDENTICAL EXCEPT AS NOTED.
 - ALL DIMENSIONS ARE FOR REFERENCE ONLY AND SHOWN IN INCHES(MILLIMETERS).
 - SEE "DOOR DETAIL" & "CONTROL PANEL" DIMENSIONS ON SHEET 3.

	QTY.	LUG SIZES	NOTE
100-400A	1	#4 - 600 MCM (33-304 MM $\frac{3}{8}$)	DRAWING SHOWN WITH 600 AMP LUG CONFIGURATION FOR REFERENCE ONLY.
600A	2	#2 - 600 MCM (33-304 MM $\frac{3}{8}$)	
800A	4	#2 - 600 MCM (33-304 MM $\frac{3}{8}$)	

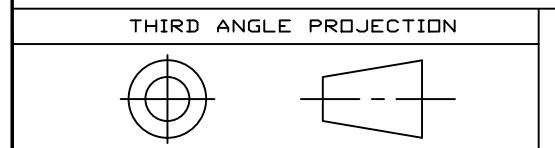
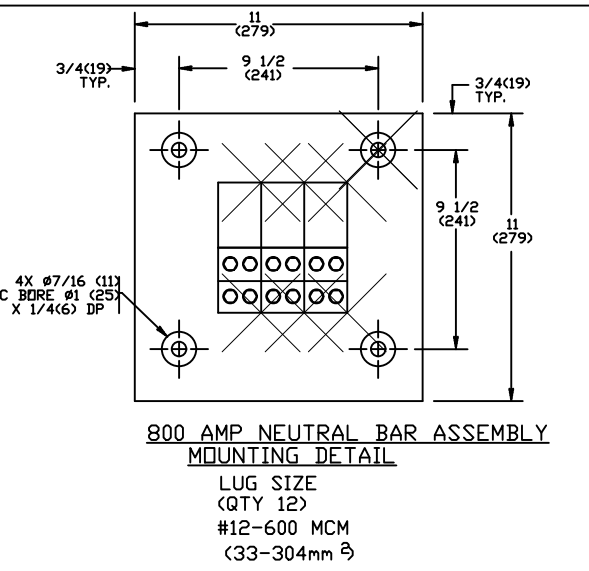
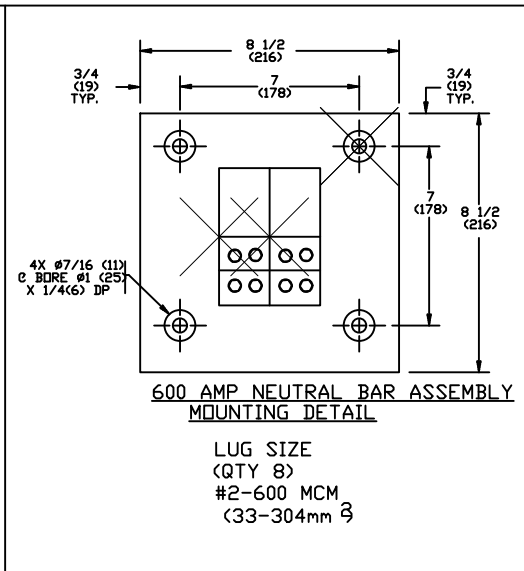
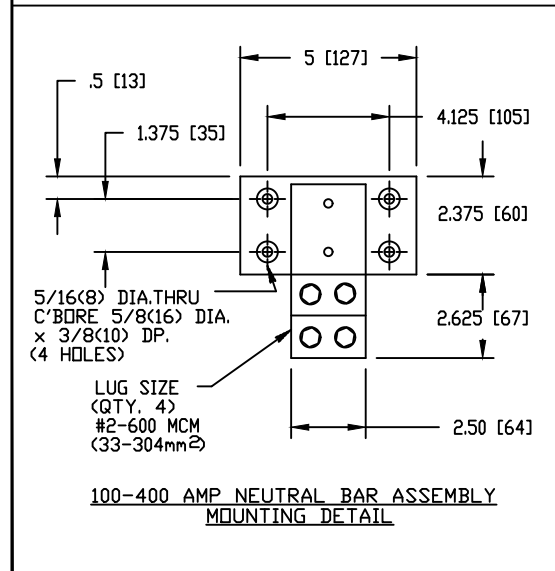
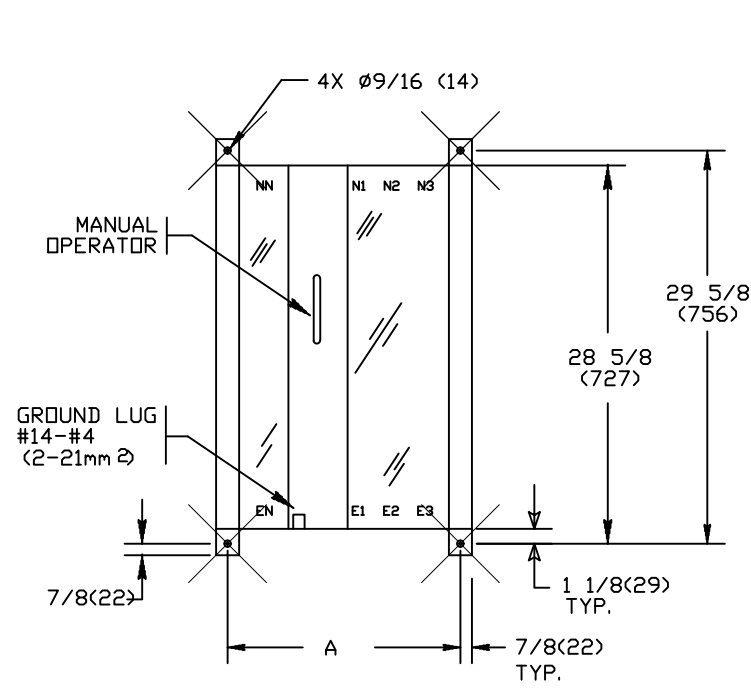


ABB PROPRIETARY AND CONFIDENTIAL INFORMATION

The information contained in the document has to be kept strictly confidential. Any unauthorized use, reproduction, distribution or disclosure to third parties is strictly forbidden. ABB reserves all rights regarding intellectual Property Rights. Copyright 2018 ABB. All rights reserved.

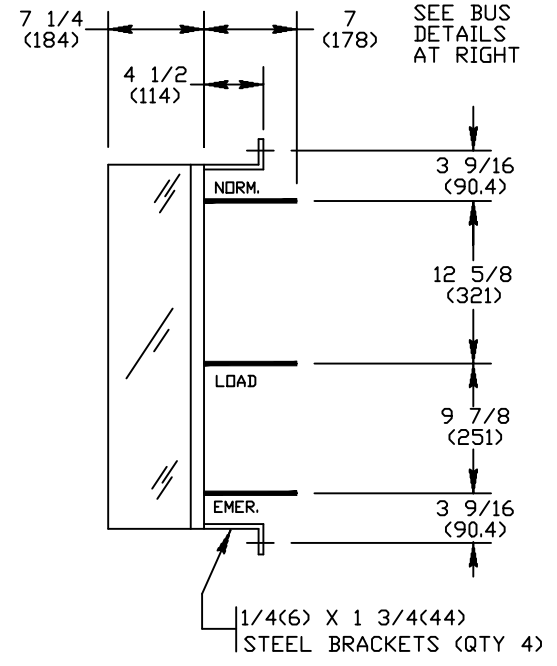
SIGNATURES		DATE	TITLE
MODEL	GG	02/22/08	
DETAIL			
CHECKED			FIRST MADE FOR: ZTECT 600-800 AMP 2, 3 & 4 POLE
ENGRG	MF		
MFG			SIZE CAGE CODE DWG NO
QUALITY			
ISSUED			90C-2008
DRAWING FILE:	90c-2008-c-2.dwg		
MODEL / ASSEMBLY FILE:	ZTECT 600-800 AMP 2, 3 & 4 POLR		SCALE: N/A
# CTG's	⊖ CRITICAL TO QUALITY CHARACTERISTIC		
AutoCad Generated			SHEET 2 OF 4



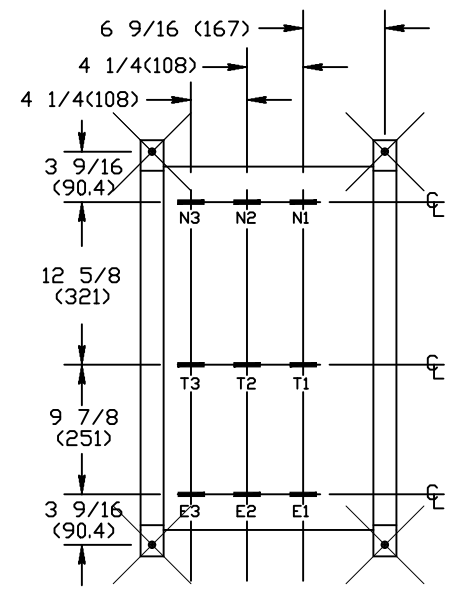


FRONT VIEW

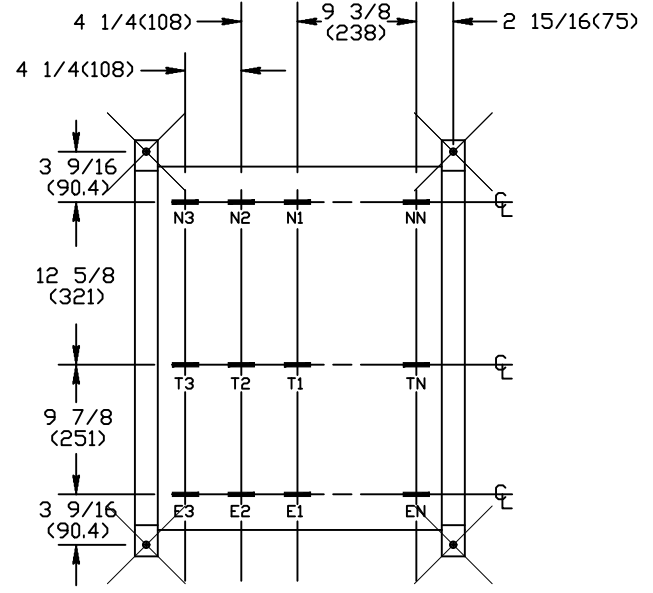
	A
2/3-POLE	17 5/8 (448)
4-POLE	23 3/8 (594)



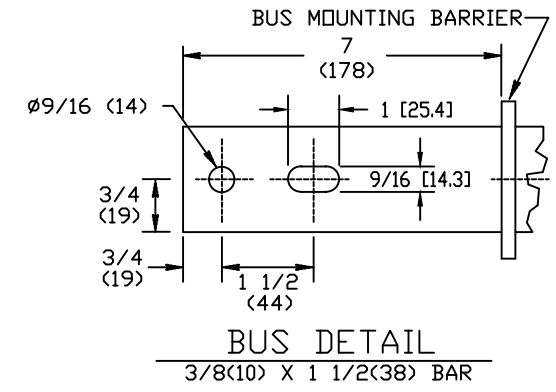
RIGHT SIDE VIEW



2/3-POLE SWITCH
BUS DETAILS (REAR VIEW)



4-POLE SWITCH
BUS DETAILS (REAR VIEW)



BUS DETAIL
3/8(10) X 1 1/2(38) BAR

NOTES:

- FOR 2-POLE SWITCHES, OMIT CENTER POLE.
- OPEN TYPE SWITCH SUPPLIED WITH 6 FT. (1.8m) LONG HARNESS BETWEEN POWER AND CONTROL PANELS. HARNESS EXITS FROM LOWER RIGHT CORNER OF POWER PANEL.
- DO NOT RUN CABLES IN FRONT OF SWITCH. RUN ALL CABLES ON RIGHT SIDE.
- MAINTAIN ELECTRICAL CLEARANCE OF 1(25mm) MIN. BETWEEN LIVE METAL PARTS AND GROUNDED METAL.
- ALL DIMENSIONS ARE FOR REFERENCE ONLY AND SHOWN IN INCHES(MILLIMETERS).
- SEE "DOOR DETAIL" & "CONTROL PANEL" DIMENSIONS ON SHEET 3.



MODEL	GG	TITLE	
DETAIL		ZTECT 600-800 AMP 2,3,4P	
CHECKED		OPEN STYLE - REAR BUS	
ENGRG	MF	02/22/08	FIRST MADE FOR: ZTECT 600-800 AMP 2, 3 & 4 POLE
MFG		SIZE	CAGE CODE
QUALITY		B	DWG NO
ISSUED		90C-2008	
DRAWING FILE:	90c-2008-c-3.dwg	SCALE:	N/A
MODEL / ASSEMBLY FILE:	ZTECT 600-800 AMP	SHEET 3 OF 4	
# CTG's	⊖ CRITICAL TO QUALITY CHARACTERISTIC		

THIRD ANGLE PROJECTION

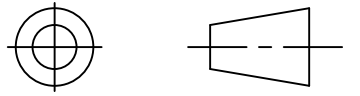


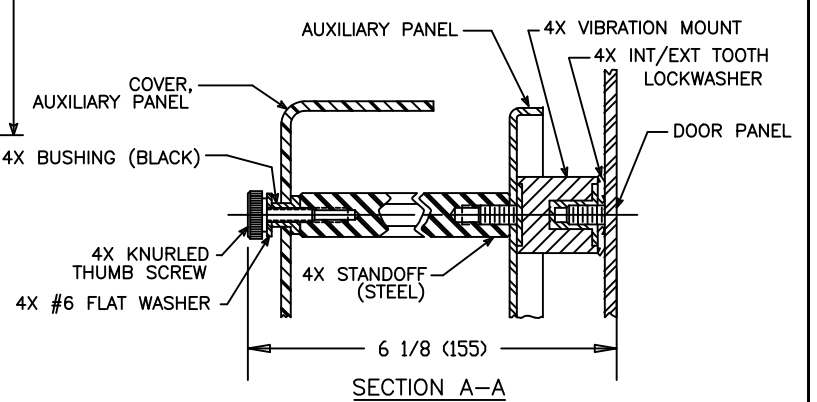
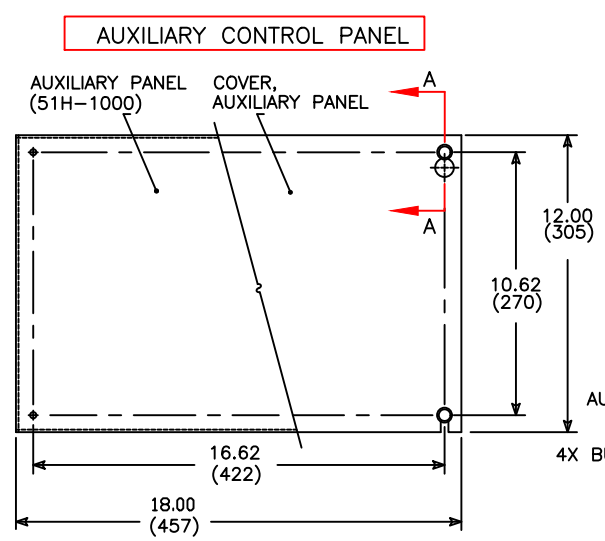
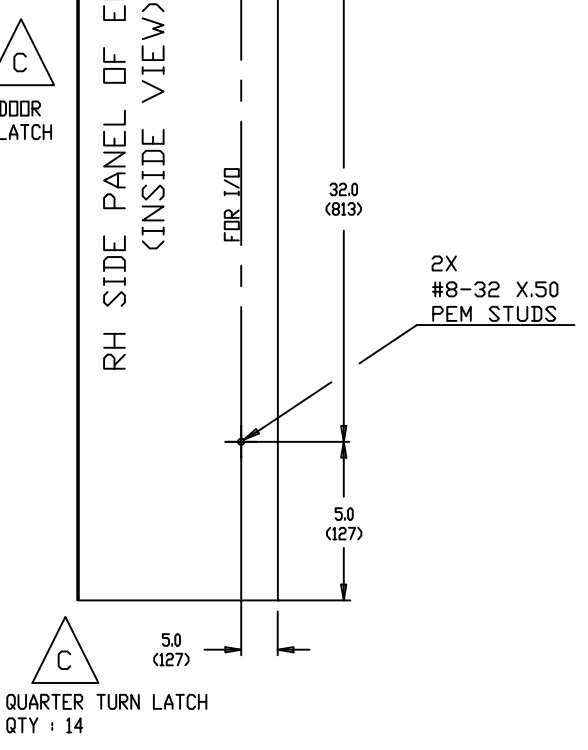
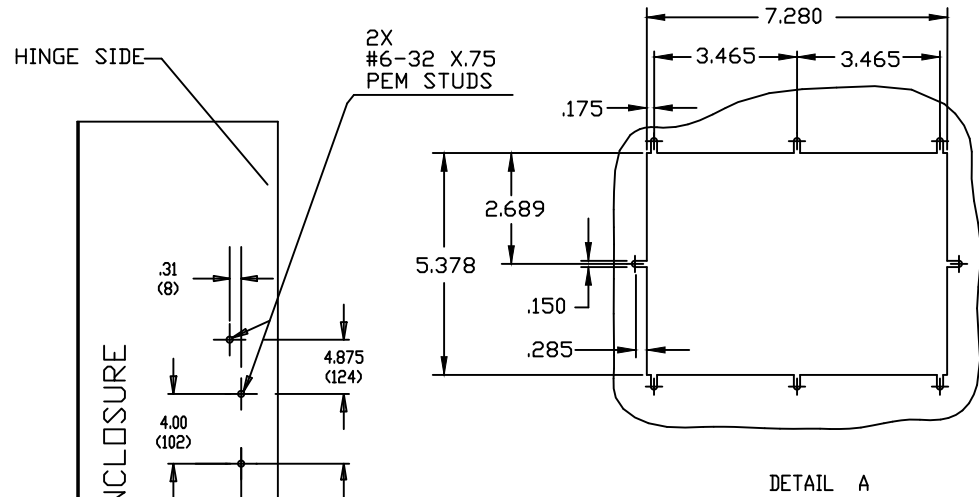
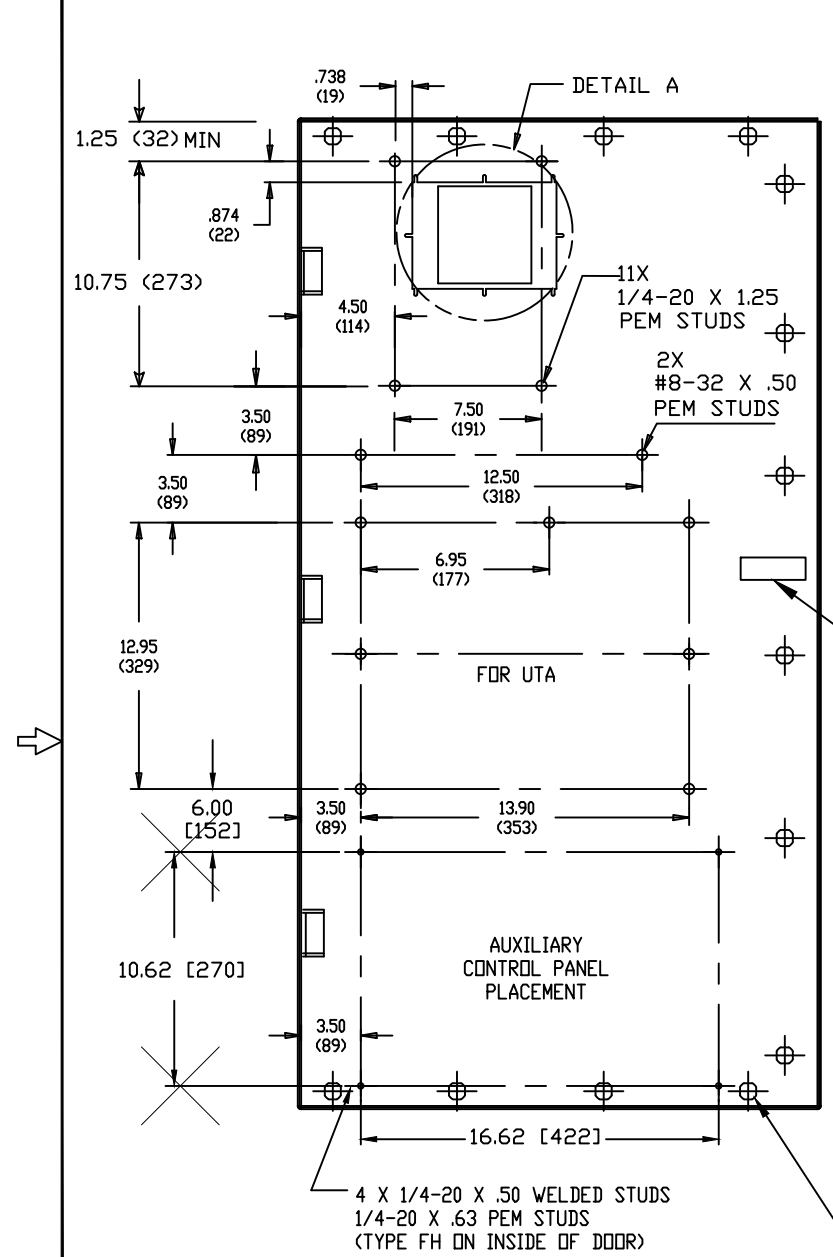
ABB PROPRIETARY AND CONFIDENTIAL INFORMATION

The information contained in the document has to be kept strictly confidential. Any unauthorized use, reproduction, distribution or disclosure to third parties is strictly forbidden. ABB reserves all rights regarding intellectual Property Rights. Copyright 2018 ABB. All rights reserved

AutoCad Generated

DOOR DETAIL (INSIDE VIEW)

TYPE	DIM F
600 AMP	2.50
800 AMP	4.50



- NOTES:**
- FOR 2-POLE SWITCHES, OMIT CENTER POLE.
 - OPEN TYPE SWITCH SUPPLIED WITH 6 FT. (1.8m) LONG HARNESS BETWEEN POWER AND CONTROL PANELS. HARNESS EXITS FROM LOWER RIGHT CORNER OF POWER PANEL.
 - DO NOT RUN CABLES IN FRONT OF SWITCH RUN ALL CABLES ON RIGHT SIDE.
 - MAINTAIN ELECTRICAL CLEARANCE OF 1(25mm) MIN. BETWEEN LIVE METAL PARTS AND GROUNDED METAL.
 - DIMENSIONS FOR 3-POLE AND 4-POLE SWITCHES ARE IDENTICAL EXCEPT AS NOTED.
 - ALL DIMENSIONS ARE FOR REFERENCE ONLY AND SHOWN IN INCHES (MILLIMETERS).
 - SEE "DOOR DETAIL" & "CONTROL PANEL" DIMENSION ON SHEET 3.

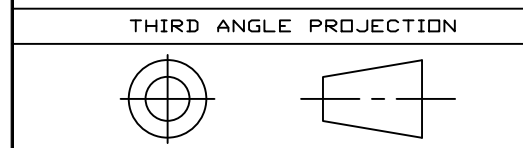


ABB PROPRIETARY AND CONFIDENTIAL INFORMATION

The information contained in the document has to be kept strictly confidential. Any unauthorized use, reproduction, distribution or disclosure to third parties is strictly forbidden. ABB reserves all rights regarding intellectual Property Rights. Copyright 2018 ABB. All rights reserved.

SIGNATURES		DATE	TITLE		
MODEL	GG	02/22/08		ZTECT 600-800A 2,3,4 POLE OPEN STYLE-DOOR LAYOUT	
DETAIL					
CHECKED			FIRST MADE FOR: ZTECT 600-800 AMP 2, 3 & 4 POLE		
ENGRG	MF				
MFG			SIZE	CAGE CODE	DWG NO
QUALITY			B		90C-2008
ISSUED			SCALE: N/A		
DRAWING FILE:	90c-2008-c-4.dwg		SHEET 4 OF 4		
MODEL / ASSEMBLY FILE:	ZTECT 600-800 AMP 2, 3 & 4 POLE				
# CTQs	⊖	CRITICAL TO QUALITY CHARACTERISTIC			



AutoCad Generated