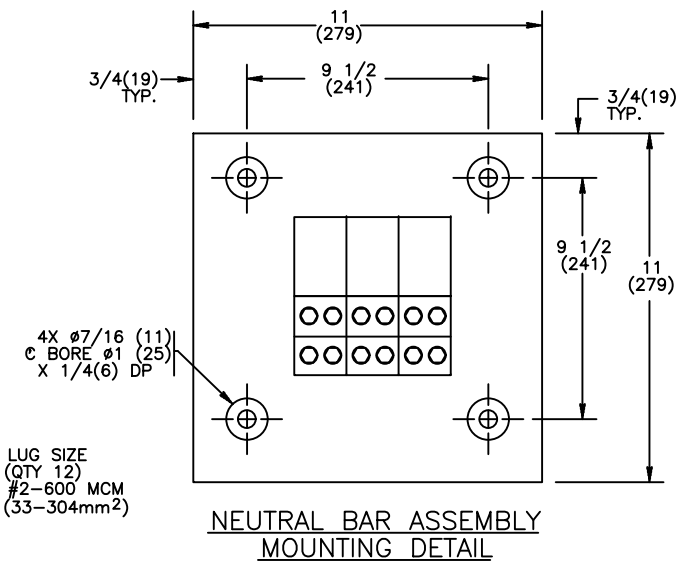


REVISIONS			
REV.	DESCRIPTION	DATE	APPROVED
1	C076899	10/14/19	GK MAS

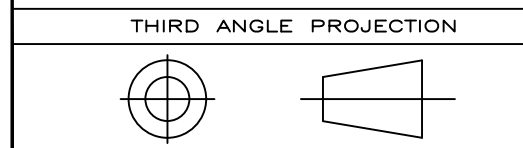
- NOTES:
- FOR 2-POLE SWITCHES, OMIT CENTER POLE.
  - OPEN TYPE SWITCH SUPPLIED WITH 6 FT. (1,8m) LONG HARNESS BETWEEN POWER AND CONTROL PANELS. HARNESS EXITS FROM LOWER RIGHT CORNER OF POWER PANEL.
  - DO NOT RUN CABLES IN FRONT OF SWITCH. RUN ALL CABLES ON RIGHT SIDE.
  - MAINTAIN ELECTRICAL CLEARANCE OF 1(25mm) MIN. BETWEEN LIVE METAL PARTS AND GROUNDED METAL.
  - DIMENSIONS FOR 3-POLE AND 4-POLE SWITCHES ARE IDENTICAL EXCEPT AS NOTED.
  - ALL DIMENSIONS ARE FOR REFERENCE ONLY AND SHOWN IN INCHES(MILLIMETERS).

LUG SIZE	
1000 TO 1200A (QTY 4)	#2- 600 MCM (33-304mm <sup>2</sup> )



SIGNATURES	
MODEL	SG 02/22/08
DETAIL	
CHECKED	
ENGRG	SB
MFG	
QUALITY	
ISSUED	
DRAWING FILE:	90c-2009.dwg
MODEL / ASSEMBLY FILE:	ZTED/CT 1000-1200 AMP 2, 3 & 4 POLE
# CTQs	⊖ CRITICAL TO QUALITY CHARACTERISTIC

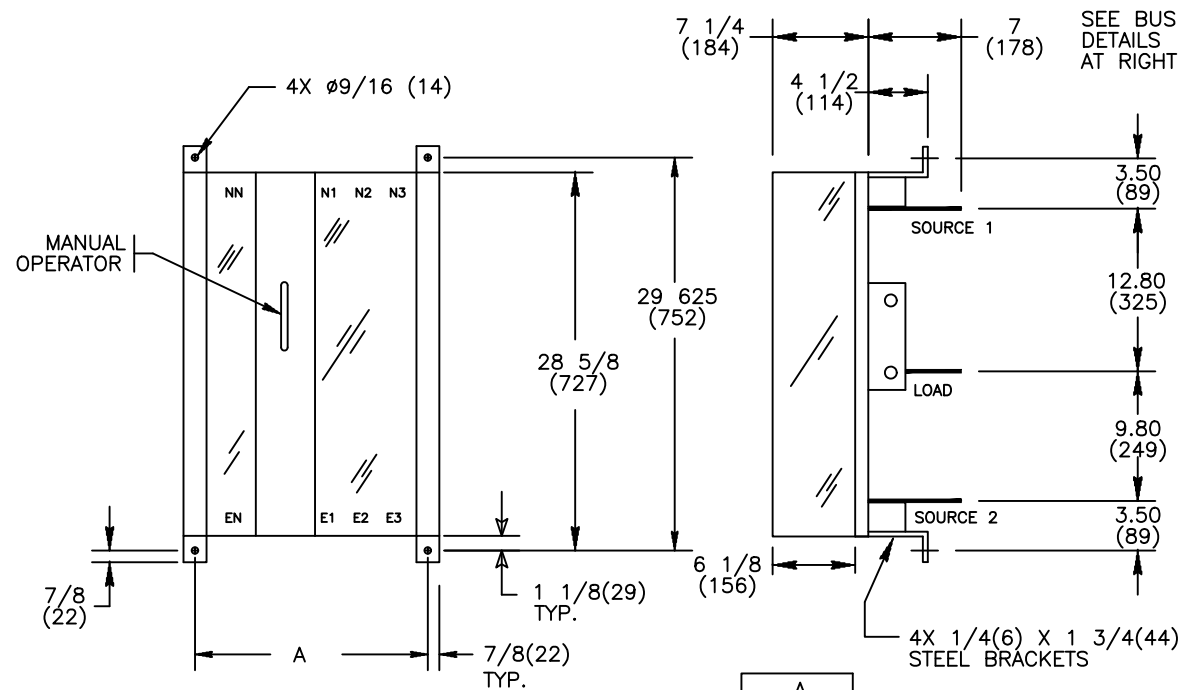
<b>ABB</b>		
TITLE ZTED/CT 1000A-1200A 2,3,4P OPEN STYLE - FRONT LUGS		
FIRST MADE FOR:	ZTED/CT 1000-1200 AMP 2, 3 & 4 POLE	
SIZE	B	DWG NO
		90C-2009
SCALE:	N/A	SHEET 1 OF 3



**ABB PROPRIETARY AND CONFIDENTIAL INFORMATION**

The information contained in the document has to be kept strictly confidential. Any unauthorized use, reproduction, distribution or disclosure to third parties is strictly forbidden. ABB reserves all rights regarding intellectual Property Rights. Copyright 2018 ABB. All rights reserved.

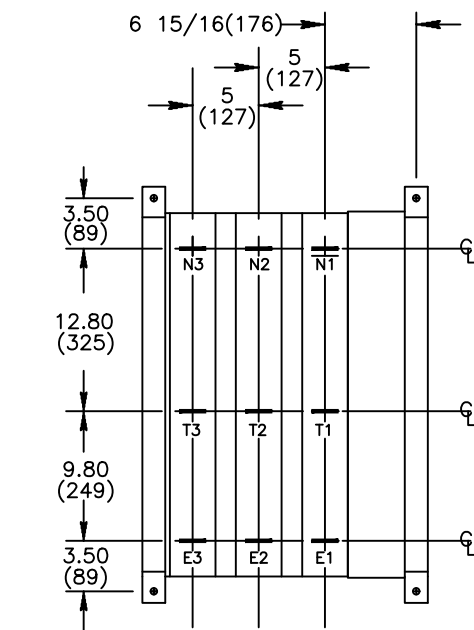
AutoCad Generated



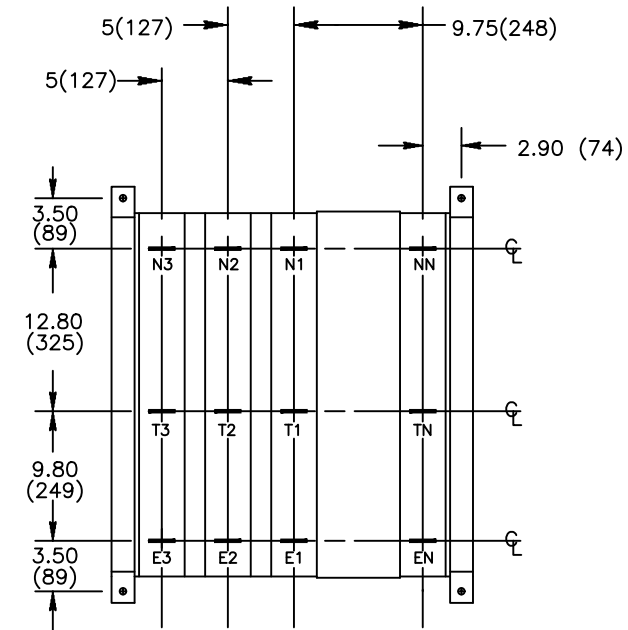
FRONT VIEW

	A
2/3-POLE	19 7/8 (505)
4-POLE	25 5/8 (651)

RIGHT SIDE VIEW



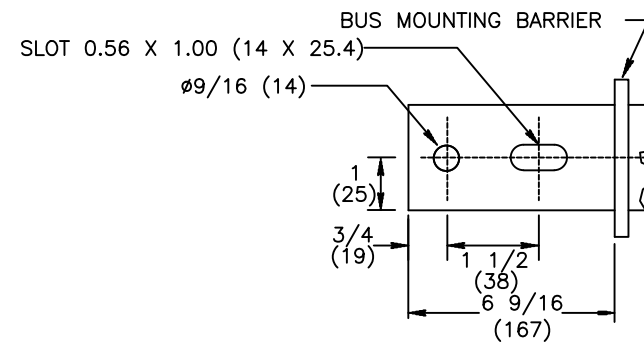
2/3-POLE SWITCH  
BUS DETAILS (REAR VIEW)



4-POLE SWITCH  
BUS DETAILS (REAR VIEW)

NOTES:

- FOR 2-POLE SWITCHES, OMIT CENTER POLE.
- OPEN TYPE SWITCH SUPPLIED WITH 6 FT. (1,8m) LONG HARNESS BETWEEN POWER AND CONTROL PANELS. HARNESS EXITS FROM LOWER RIGHT CORNER OF POWER PANEL.
- DO NOT RUN CABLES IN FRONT OF SWITCH. RUN ALL CABLES ON RIGHT SIDE.
- MAINTAIN ELECTRICAL CLEARANCE OF 1" (25mm) MIN. BETWEEN LIVE METAL PARTS AND GROUNDED METAL.
- ALL DIMENSIONS ARE FOR REFERENCE ONLY AND SHOWN IN INCHES(MILLIMETERS).
- SEE "DOOR DETAIL" & "CONTROL PANEL" DIMENSIONS ON SHEET 3.



BUS DETAIL  
1/2(13) X 2(51) BAR

MODEL	GG	02/22/08	<b>ABB</b>	
DETAIL				
CHECKED				
ENGRG	MF			
MFG				
ISSUED				
DRAWING FILE: 90c-2009.dwg			TITLE	
MODEL / ASSEMBLY FILE: ZTED/CT 1000-1200 AMP 2, 3 & 4 POLE			ZTED/CT 1000A-1200A 2,3,4P OPEN STYLE - REAR BUS	
FIRST MADE FOR: ZTED/CT 1000-1200 AMP 2, 3 & 4 POLE			SIZE	DWG NO
AutoCad Generated			B	90C-2009
# CTQs	⊖	CRITICAL TO QUALITY CHARACTERISTIC	SCALE: N/A	SHEET 2 OF 3

THIRD ANGLE PROJECTION

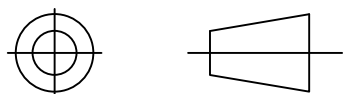
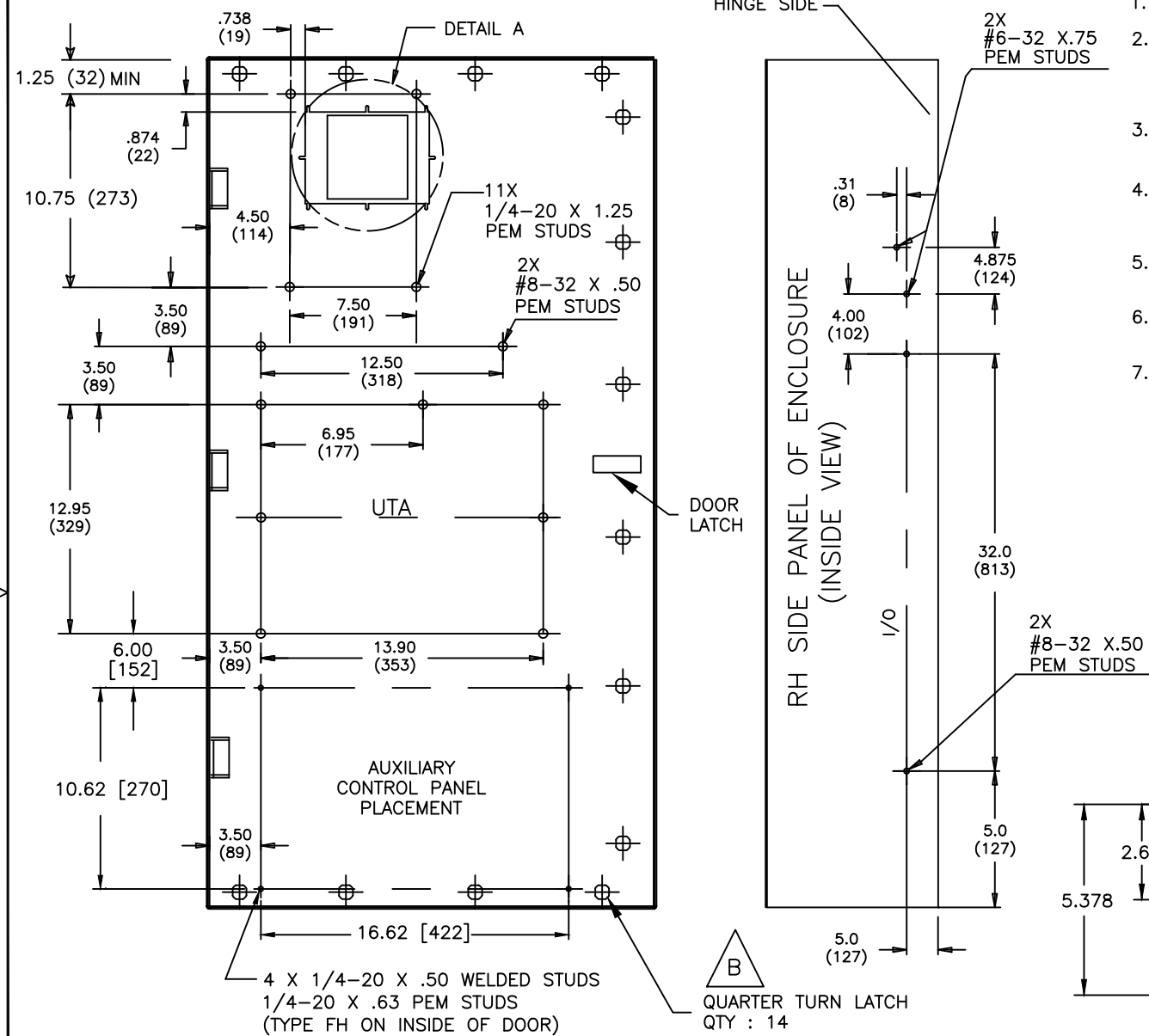


ABB PROPRIETARY AND CONFIDENTIAL INFORMATION

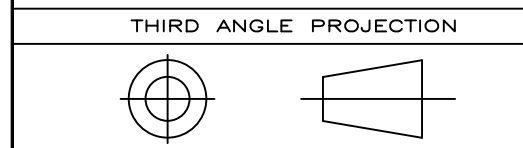
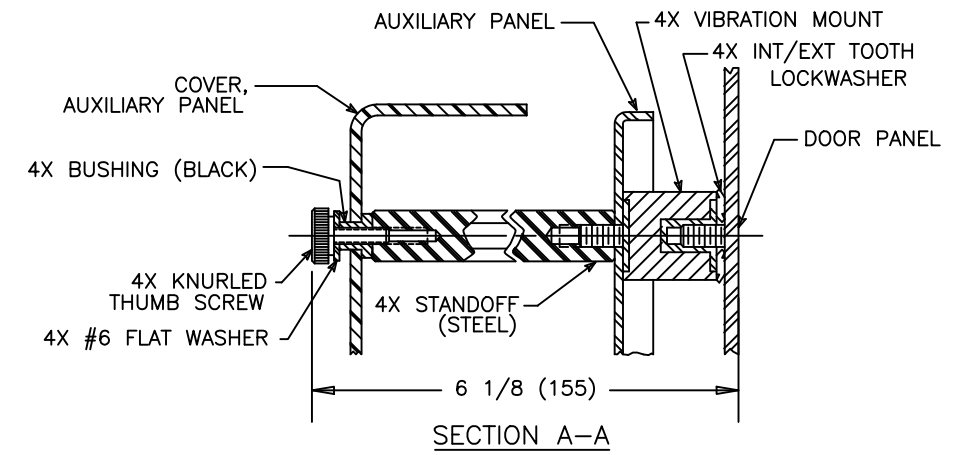
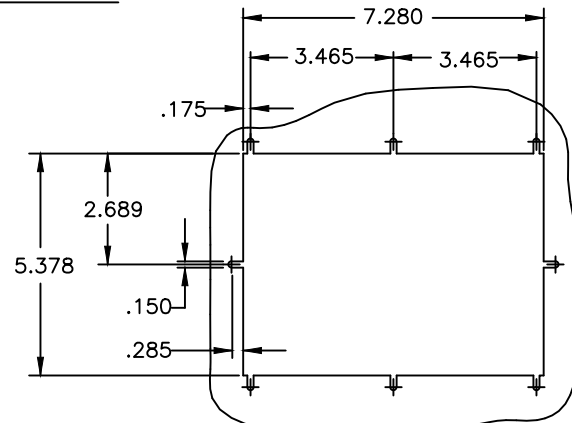
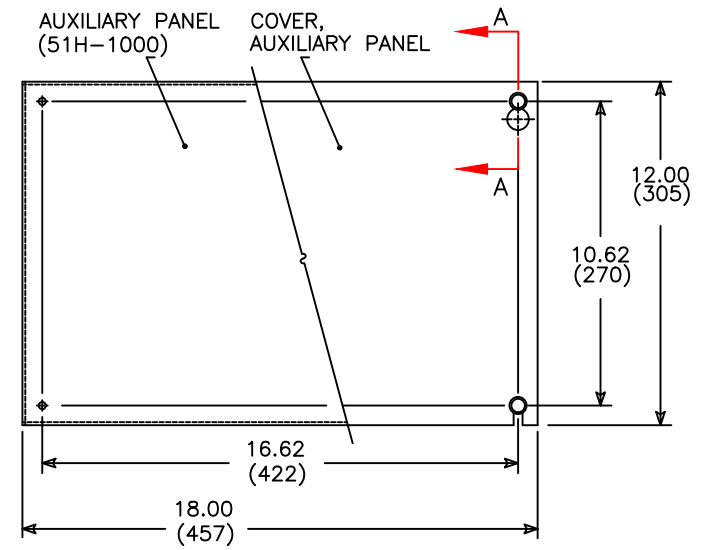
The information contained in the document has to be kept strictly confidential. Any unauthorized use, reproduction, distribution or disclosure to third parties is strictly forbidden. ABB reserves all rights regarding intellectual Property Rights. Copyright 2018 ABB. All rights reserved

**DOOR DETAIL (INSIDE VIEW)**



- NOTES:**
1. FOR 2-POLE SWITCHES, OMIT CENTER POLE.
  2. OPEN TYPE SWITCH SUPPLIED WITH 6 FT. (1.8m) LONG HARNESS BETWEEN POWER AND CONTROL PANELS. HARNESS EXITS FROM LOWER RIGHT CORNER OF POWER PANEL.
  3. DO NOT RUN CABLES IN FRONT OF SWITCH. RUN ALL CABLES ON RIGHT SIDE.
  4. MAINTAIN ELECTRICAL CLEARANCE OF 1(25mm) MIN. BETWEEN LIVE METAL PARTS AND GROUNDED METAL.
  5. DIMENSIONS FOR 3-POLE AND 4-POLE SWITCHES ARE IDENTICAL EXCEPT AS NOTED.
  6. ALL DIMENSIONS ARE FOR REFERENCE ONLY AND SHOWN IN INCHES(MILLIMETERS).
  7. SEE "DOOR DETAIL" & "CONTROL PANEL" DIMENSIONS ON SHEET 3.

**AUXILIARY CONTROL PANEL**



**ABB PROPRIETARY AND CONFIDENTIAL INFORMATION**  
 The information contained in the document has to be kept strictly confidential. Any unauthorized use, reproduction, distribution or disclosure to third parties is strictly forbidden. ABB reserves all rights regarding intellectual Property Rights. Copyright 2018 ABB. All rights reserved.

AutoCad Generated		# CTQs		⊖ CRITICAL TO QUALITY CHARACTERISTIC		SCALE: N/A		SHEET 3 OF 3	
DRAWING FILE: 90c-2009.dwg		MODEL / ASSEMBLY FILE: ZTED/CT 1000-1200 AMP 2, 3 & 4 POLE		FIRST MADE FOR: ZTED/CT 1000-1200 AMP 2, 3 & 4 POLE		CAGE CODE		DWG NO	
MODEL: SG		02/22/08		TITLE		ZTED/CT 1000A-1200A 2,3,4P		OPEN STYLE-DOOR LAYOUT	
DETAIL				SIZE		B		90C-2009	
CHECKED				MFG					
ENGRG		SB		ISSUED					
QUALITY				SIGNATURES					
AB				MODEL		SG		02/22/08	

