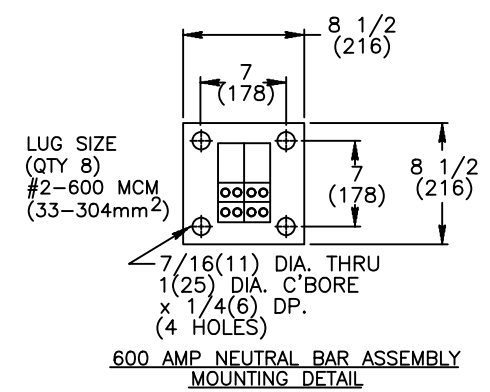
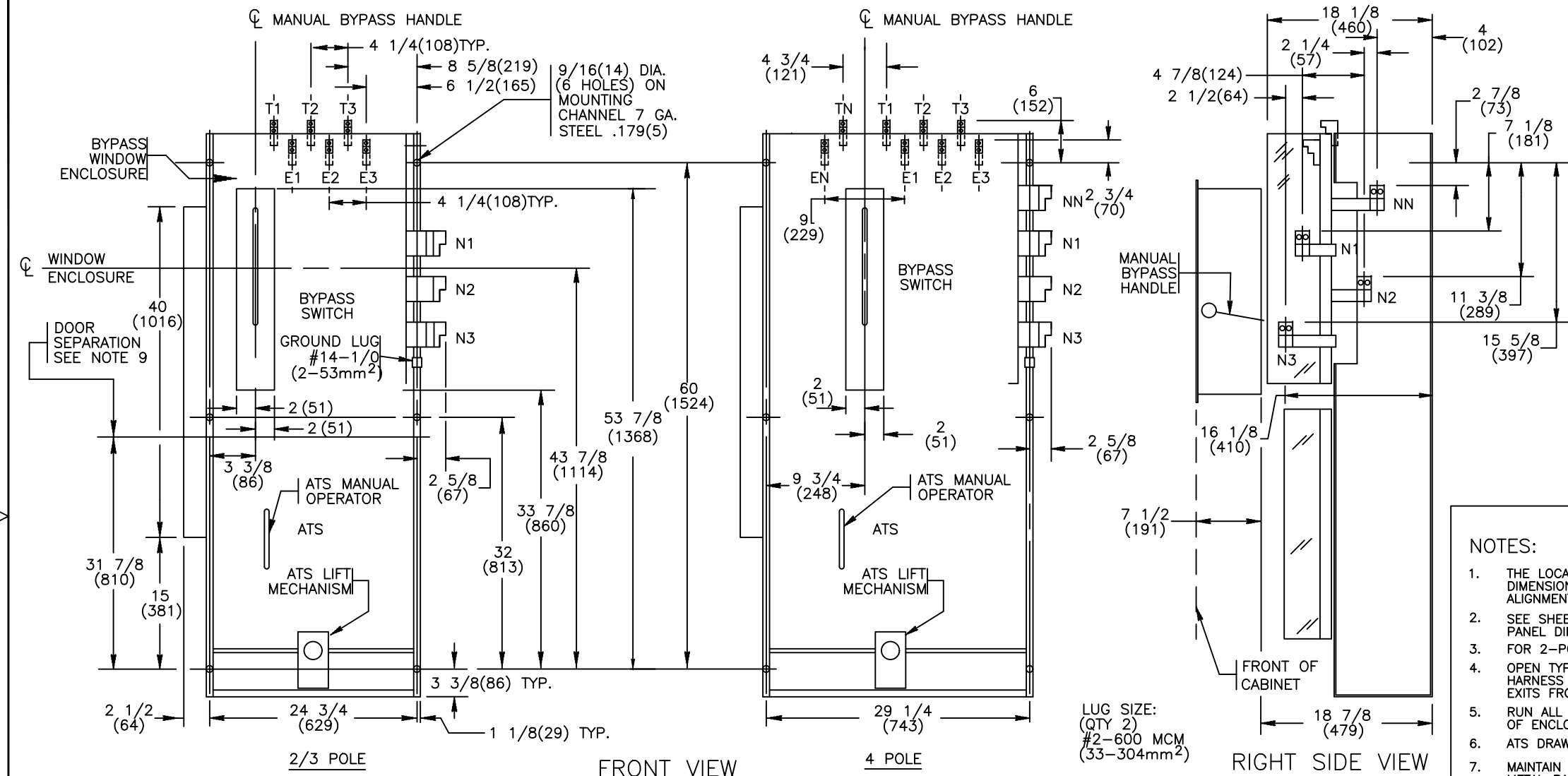


REVISIONS			
REV.	DESCRIPTION	DATE	APPROVED
1	CO76899 UPDATED REBRANDING	10/14/19	AR MAS

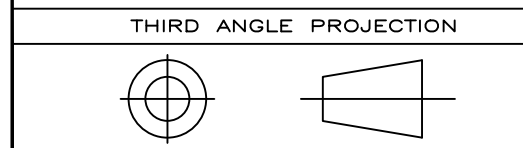


- NOTES:
1. THE LOCATION OF THE WINDOW ENCLOSURE WITH RELATION TO THE DIMENSIONS OF THE OPEN STYLE BYPASS SWITCH ARE CRITICAL TO THE ALIGNMENT OF THE MANUAL BYPASS HANDLE.
  2. SEE SHEET 3 FOR RECOMMENDED DOOR MODIFICATIONS AND CONTROL PANEL DIMENSIONS.
  3. FOR 2-POLE SWITCHES, OMIT CENTER POLE.
  4. OPEN TYPE BYPASS SWITCH IS SUPPLIED WITH 6 FT. (1.8m) LONG HARNESS BETWEEN ATS POWER AND CONTROL PANELS. HARNESS EXITS FROM CENTER RIGHT OF SWITCH FRAME.
  5. RUN ALL CABLES IN REAR OF ENCLOSURE. NO CABLE ENTRY IN FRONT OF ENCLOSURE.
  6. ATS DRAWS OUT TOWARD FRONT OF ENCLOSURE.
  7. MAINTAIN ELECTRICAL CLEARANCE OF 1" (25mm) MINIMUM BETWEEN LIVE METAL PARTS AND GROUNDED METAL.
  8. CUSTOMERS CUBICLE MUST INCLUDE A TWO DOOR FRONT. THE TOP DOOR (WHICH ALLOWS ACCESS TO THE BYPASS UNIT) CANNOT BE OPENED UNTIL BOTTOM DOOR IS OPENED.
  9. DIMENSIONS FOR 3-POLE AND 4-POLE SWITCHES ARE IDENTICAL EXCEPT AS NOTED.
  10. ALL DIMENSIONS ARE FOR REFERENCE ONLY AND SHOWN IN INCHES(MILLIMETERS).

LUG SIZE		
600 A	(QTY 2)	#2- 600 MCM (33-304mm <sup>2</sup> )

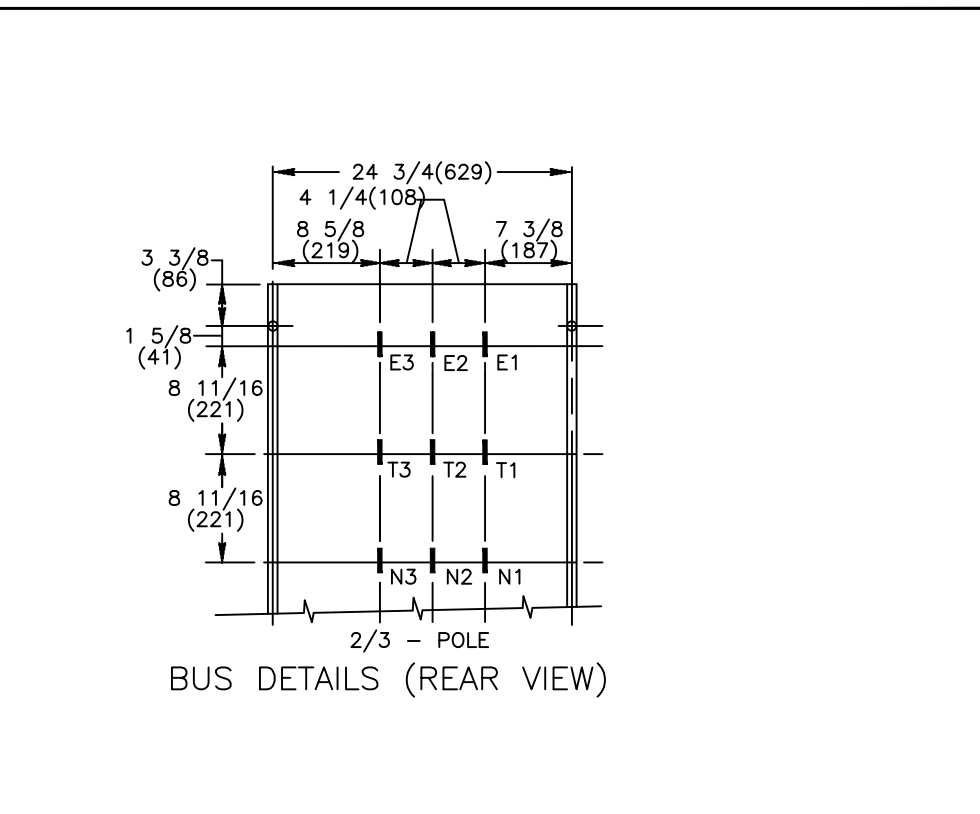
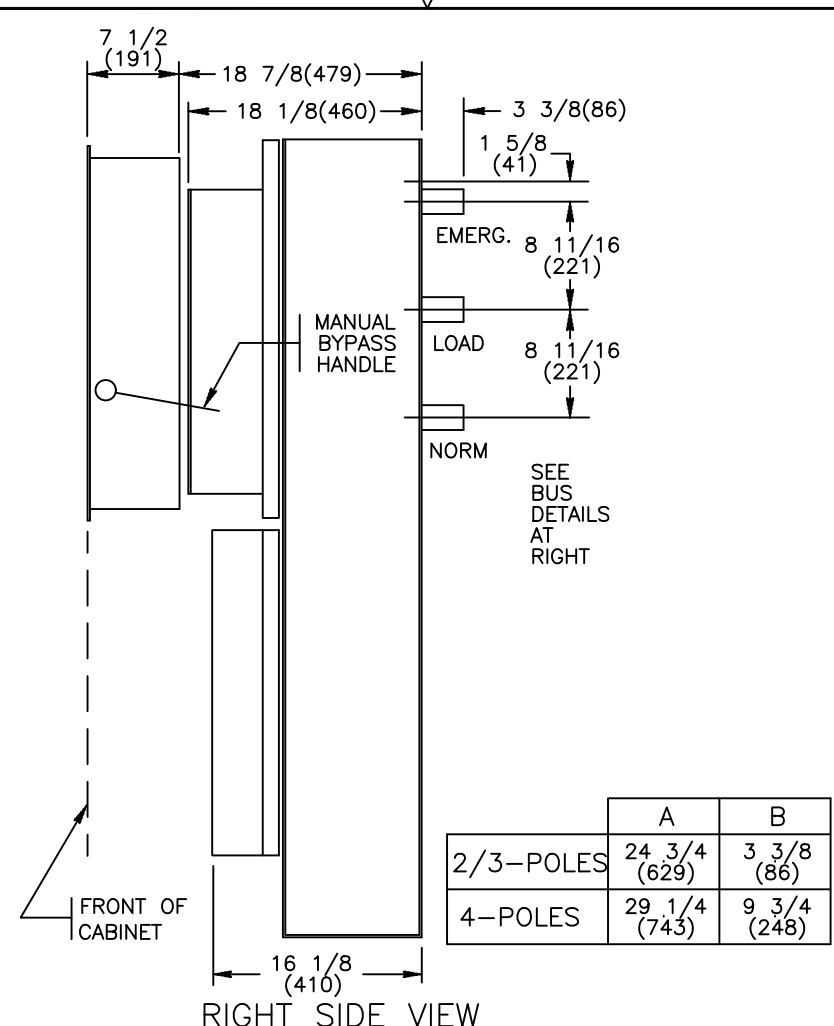
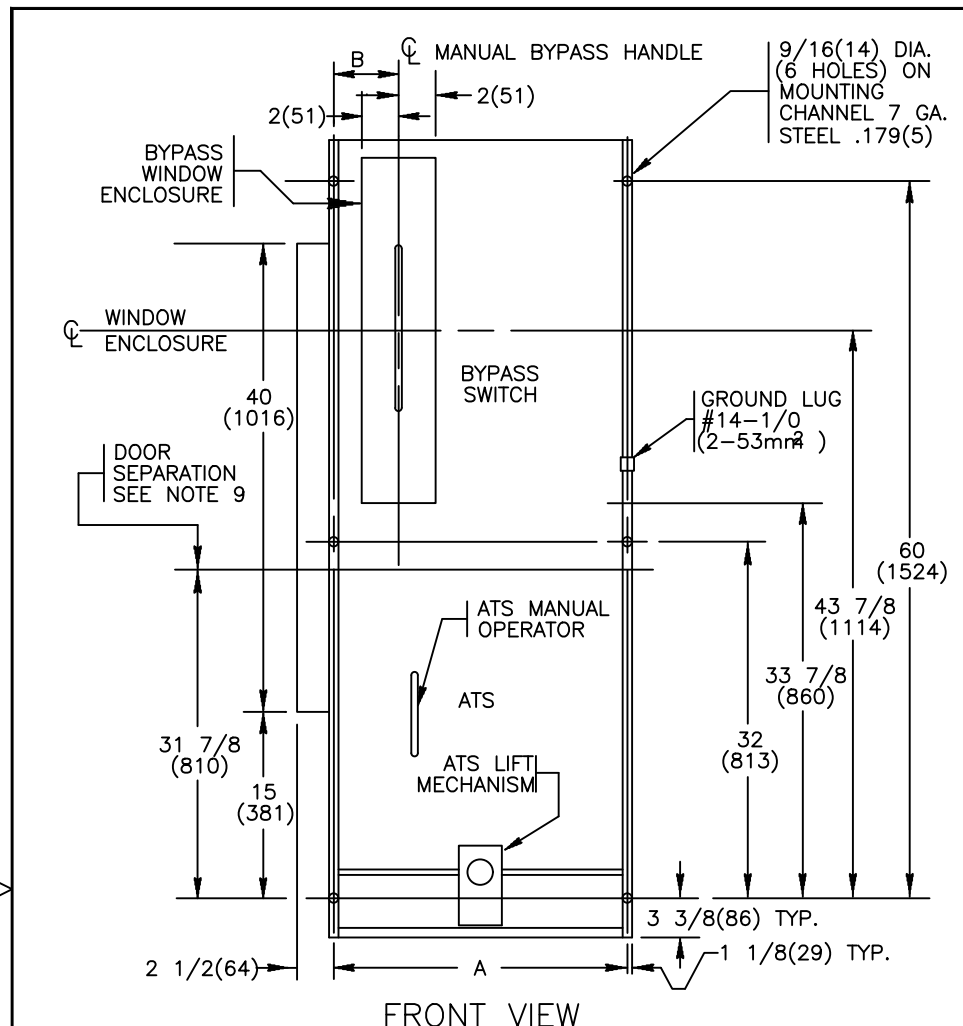
SIGNATURES	DATE
MODEL JP	02/22/08
CHECKED	
ENGRG YP	
MFG	
QUALITY	
ISSUED	
DRAWING FILE: 90c-2021.dwg	
MODEL / ASSEMBLY FILE: ZBTE 600 AMPS 2, 3, & 4 POLE	
# CTQs	CRITICAL TO QUALITY CHARACTERISTIC

TITLE		
<b>ABB</b>		
ZBTE 600 AMPS 2,3,4 POLE OPEN STYLE - FRONT LUGS		
FIRST MADE FOR: ZBTE 600 AMPS 2, 3, & 4 POLE	SIZE	DWG NO
	B	90C-2021
SCALE: N/A	SHEET 1 OF 3	

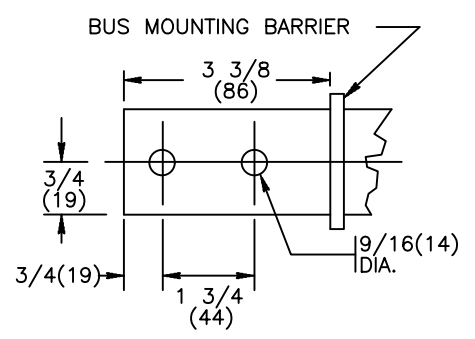
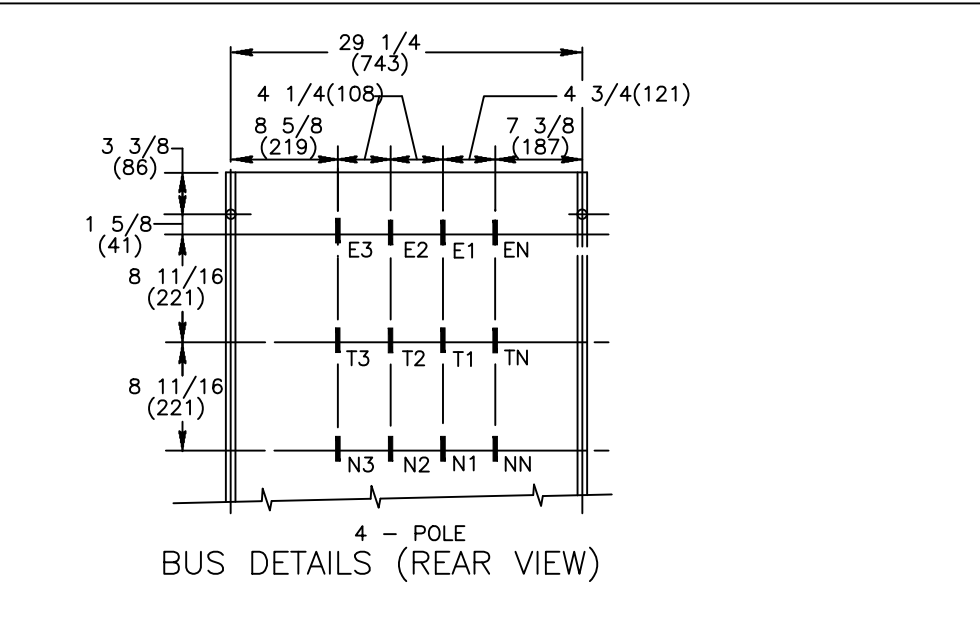


**ABB PROPRIETARY AND CONFIDENTIAL INFORMATION**  
 The information contained in the document has to be kept strictly confidential. Any unauthorized use, reproduction, distribution or disclosure to third parties is strictly forbidden. ABB reserves all rights regarding intellectual Property Rights. Copyright 2018 ABB. All rights reserved.

AutoCad Generated

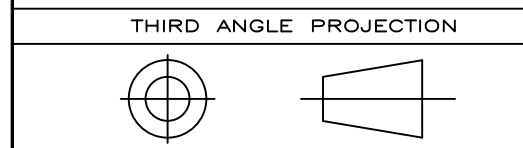


	A	B
2/3-POLES	24 3/4 (629)	3 3/8 (86)
4-POLES	29 1/4 (743)	9 3/4 (248)



- NOTES:**
1. THE LOCATION OF THE WINDOW ENCLOSURE WITH RELATION TO THE DIMENSIONS OF THE OPEN STYLE BYPASS SWITCH ARE CRITICAL TO THE ALIGNMENT OF THE MANUAL BYPASS HANDLE.
  2. SEE SHEET 3 FOR RECOMMENDED DOOR MODIFICATIONS AND CONTROL PANEL DIMENSIONS.
  3. FOR 2-POLE SWITCHES, OMIT CENTER POLE.
  4. OPEN TYPE BYPASS SWITCH IS SUPPLIED WITH 6 FT. (1.8m) LONG HARNESS BETWEEN ATS POWER AND CONTROL PANELS. HARNESS EXITS FROM CENTER RIGHT OF SWITCH FRAME.
  5. RUN ALL CABLES IN REAR OF ENCLOSURE. NO CABLE ENTRY IN FRONT OF ENCLOSURE.
  6. ATS DRAWS OUT TOWARD FRONT OF ENCLOSURE.
  7. MAINTAIN ELECTRICAL CLEARANCE OF 1" (25mm) MINIMUM BETWEEN LIVE METAL PARTS AND GROUNDED METAL.
  8. CUSTOMERS CUBICLE MUST INCLUDE A TWO DOOR FRONT. THE TOP DOOR (WHICH ALLOWS ACCESS TO THE BYPASS UNIT) CANNOT BE OPENED UNTIL BOTTOM DOOR IS OPENED.
  9. ALL DIMENSIONS ARE FOR REFERENCE ONLY AND SHOWN IN INCHES(MILLIMETERS).

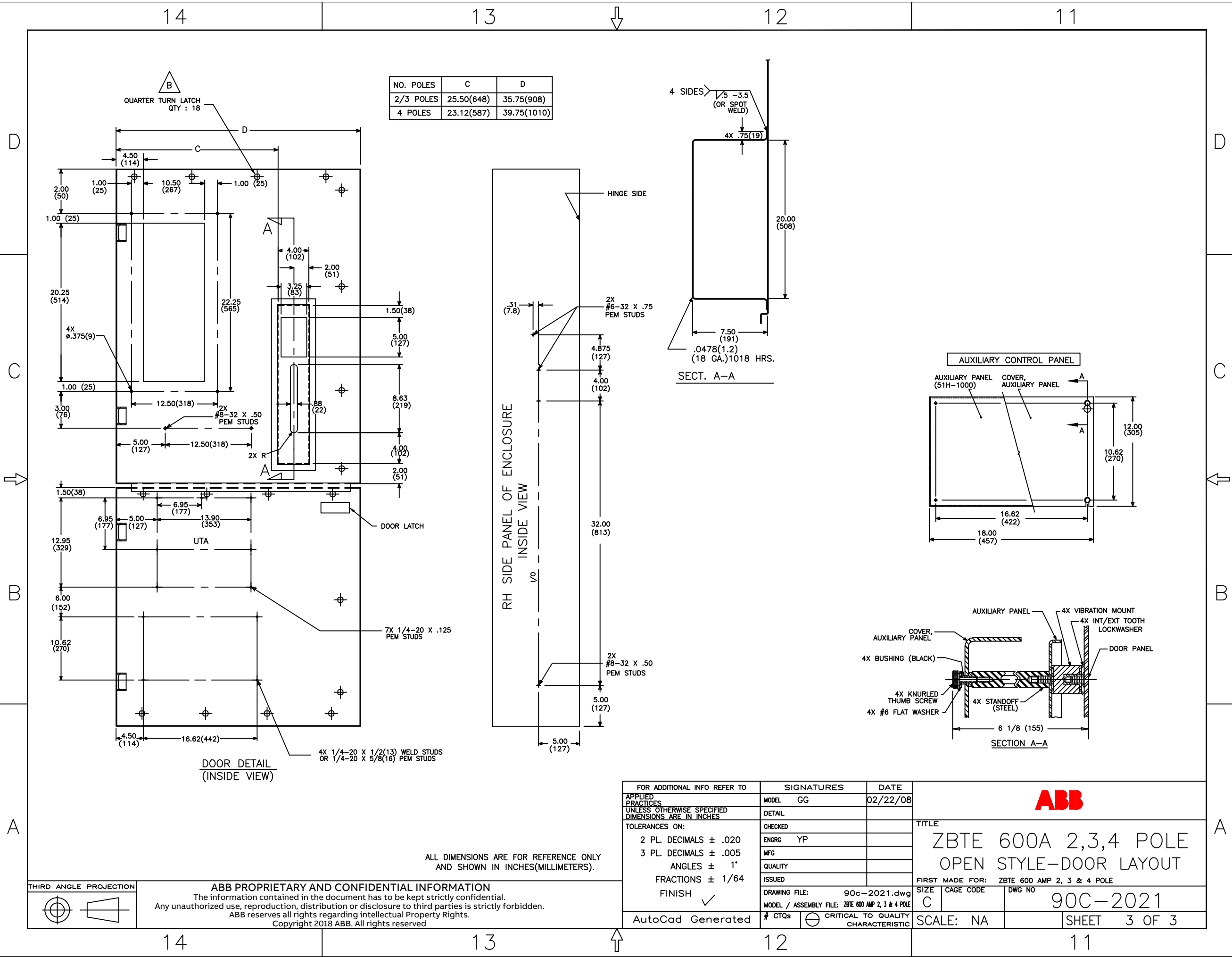
BUS DETAIL  
3/8(10) X 1 1/2(38) BAR



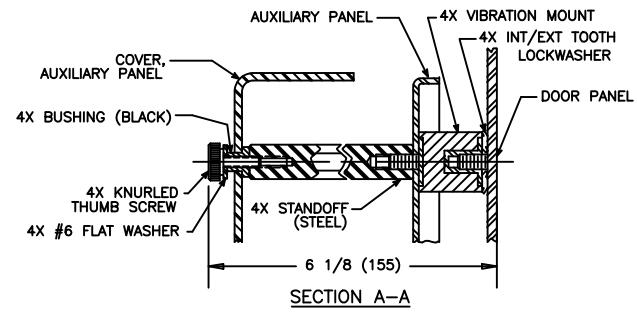
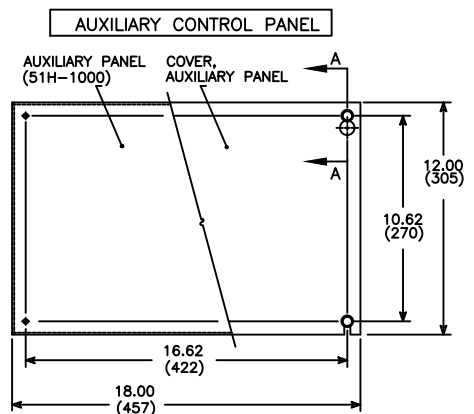
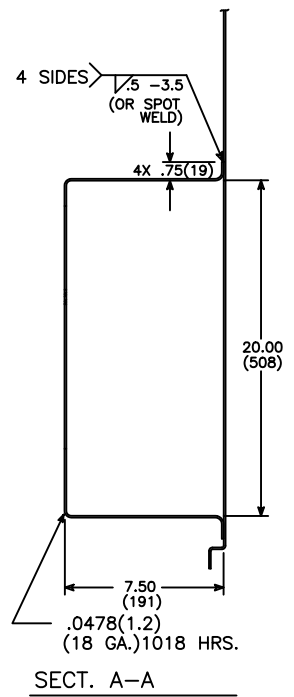
**ABB PROPRIETARY AND CONFIDENTIAL INFORMATION**  
The information contained in the document has to be kept strictly confidential. Any unauthorized use, reproduction, distribution or disclosure to third parties is strictly forbidden. ABB reserves all rights regarding intellectual Property Rights. Copyright 2018 ABB. All rights reserved.

SIGNATURES		DATE	TITLE	
MODEL	JP	02/22/08	<b>ABB</b> ZBTE 600 AMP 2,3,4 POLE OPEN STYLE - REAR BUS	
DETAIL				
CHECKED				
ENGRG	YP			
MFG				
QUALITY			FIRST MADE FOR: ZBTE 600 AMP 2, 3 & 4 POLE	
ISSUED			SIZE CAGE CODE DWG NO	
DRAWING FILE:	90c-2021.dwg		B	90C-2021
MODEL / ASSEMBLY FILE:	ZBTE 600 AMP 2, 3 & 4 POLE			
# CTOs	⊕ CRITICAL TO QUALITY CHARACTERISTIC		SCALE: N/A	SHEET 2 OF 3

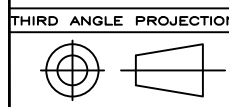
AutoCad Generated



NO. POLES	C	D
2/3 POLES	25.50(648)	35.75(908)
4 POLES	23.12(587)	39.75(1010)



FOR ADDITIONAL INFO REFER TO	SIGNATURES	DATE	TITLE
APPLIED PRACTICES	MODEL GG	02/22/08	
UNLESS OTHERWISE SPECIFIED DIMENSIONS ARE IN INCHES	DETAIL		
TOLERANCES ON:	CHECKED		FIRST MADE FOR: ZBTE 600 AMP 2, 3 & 4 POLE
2 PL. DECIMALS ± .020	ENGRG YP		SIZE CAGE CODE DWG NO
3 PL. DECIMALS ± .005	MFG		C 90C-2021
ANGLES ± 1°	QUALITY		SCALE: NA SHEET 3 OF 3
FRACTIONS ± 1/64	ISSUED		
FINISH ✓	DRAWING FILE: 90c-2021.dwg		
	MODEL / ASSEMBLY FILE: ZBTE 600 AMP 2, 3 & 4 POLE		
AutoCad Generated	# CTQs	CRITICAL TO QUALITY CHARACTERISTIC	



**ABB PROPRIETARY AND CONFIDENTIAL INFORMATION**  
 The information contained in the document has to be kept strictly confidential.  
 Any unauthorized use, reproduction, distribution or disclosure to third parties is strictly forbidden.  
 ABB reserves all rights regarding intellectual Property Rights.  
 Copyright 2018 ABB. All rights reserved.

ALL DIMENSIONS ARE FOR REFERENCE ONLY  
 AND SHOWN IN INCHES(MILLIMETERS).