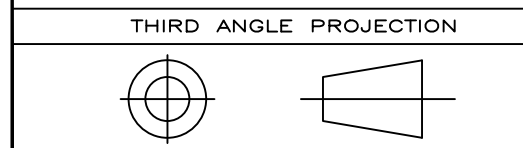



REVISIONS			
REV.	DESCRIPTION	DATE	APPROVED
1	CO76899 UPDATED REBRANDING	10/14/19	AR MAS

**NOTES:**

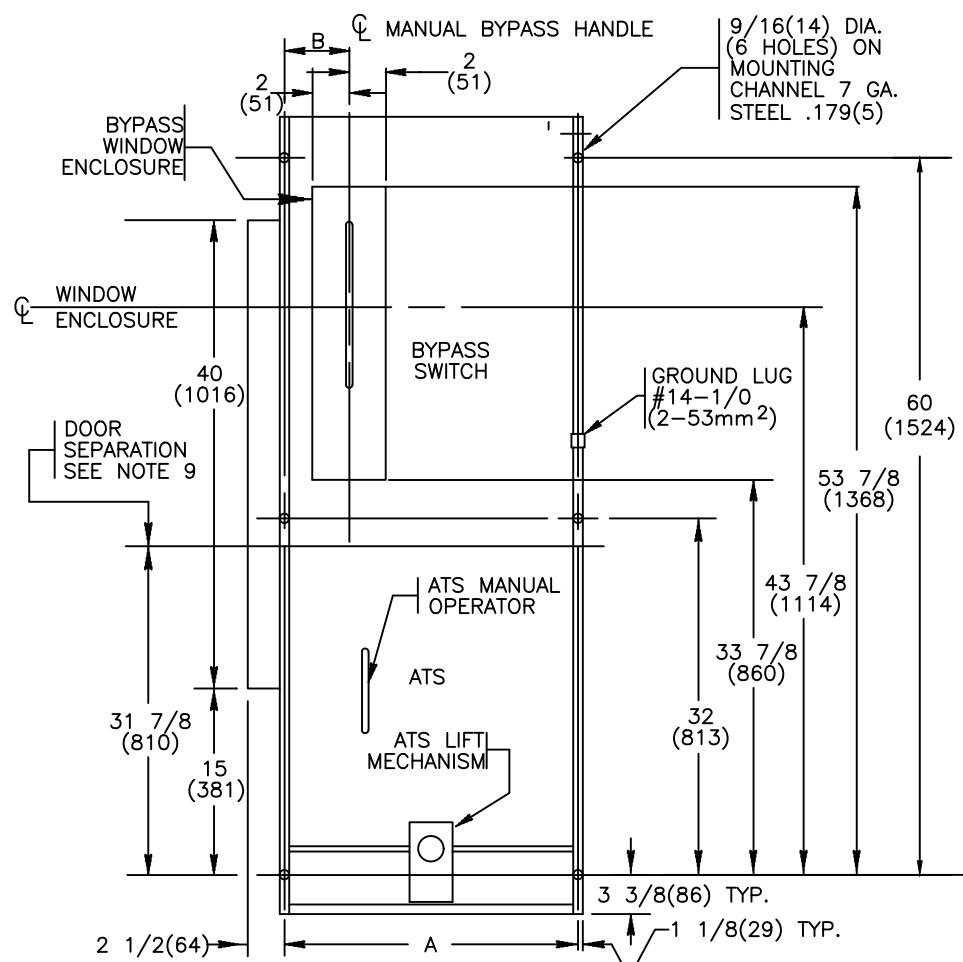
1. THE LOCATION OF THE WINDOW ENCLOSURE WITH RELATION TO THE DIMENSIONS OF THE OPEN STYLE BYPASS SWITCH ARE CRITICAL TO THE ALIGNMENT OF THE MANUAL BYPASS HANDLE.
2. SEE SHEET 3 FOR RECOMMENDED DOOR MODIFICATIONS AND CONTROL PANEL DIMENSIONS.
3. FOR 2-POLE SWITCHES, OMIT CENTER POLE.
4. OPEN TYPE BYPASS SWITCH IS SUPPLIED WITH 6 FT. (1.8m) LONG HARNESS BETWEEN ATS POWER AND CONTROL PANELS. HARNESS EXITS FROM CENTER RIGHT OF SWITCH FRAME.
5. RUN ALL CABLES IN REAR OF ENCLOSURE. NO CABLE ENTRY IN FRONT OF ENCLOSURE.
6. ATS DRAWS OUT TOWARD FRONT OF ENCLOSURE.
7. MAINTAIN ELECTRICAL CLEARANCE OF 1(25mm) MINIMUM BETWEEN LIVE METAL PARTS AND GROUNDED METAL.
8. CUSTOMERS CUBICLE MUST INCLUDE A TWO DOOR FRONT. THE TOP DOOR (WHICH ALLOWS ACCESS TO THE BYPASS UNIT) CANNOT BE OPENED UNTIL BOTTOM DOOR IS OPENED.
9. DIMENSIONS FOR 3-POLE AND 4-POLE SWITCHES ARE IDENTICAL EXCEPT AS NOTED.
10. ALL DIMENSIONS ARE FOR REFERENCE ONLY AND SHOWN IN INCHES(MILLIMETERS).



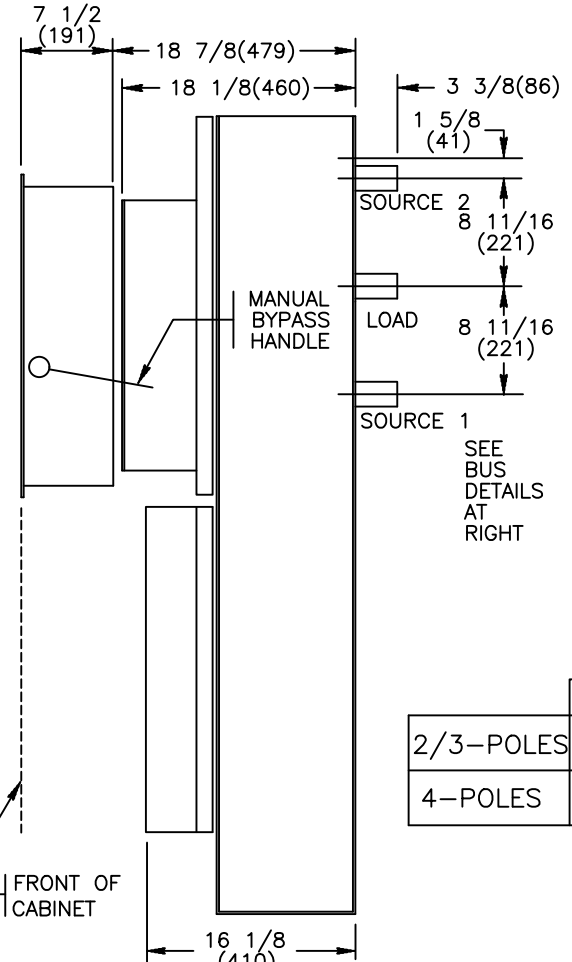
**ABB PROPRIETARY AND CONFIDENTIAL INFORMATION**  
 The information contained in the document has to be kept strictly confidential. Any unauthorized use, reproduction, distribution or disclosure to third parties is strictly forbidden. ABB reserves all rights regarding intellectual Property Rights. Copyright 2018 ABB. All rights reserved.

SIGNATURES		DATE	 <b>TITLE</b> ZBTE 800-1200A 2,3,4 POLE OPEN STYLE - FRONT LUGS
MODEL	JP	02/29/08	
DETAIL			
CHECKED			
ENGRG	SB	02/29/08	
MFG			
QUALITY			FIRST MADE FOR: ZBTE 800-1200 AMP 2, 3 & 4 POLE
ISSUED			SIZE CAGE CODE DWG NO
DRAWING FILE:	90c-2022.dwg		B
MODEL / ASSEMBLY FILE:	ZBTE 800-1200 AMP 2, 3 & 4 POLE		90C-2022
# CTQs	⊕ CRITICAL TO QUALITY CHARACTERISTIC	SCALE: N/A	SHEET 1 OF 3



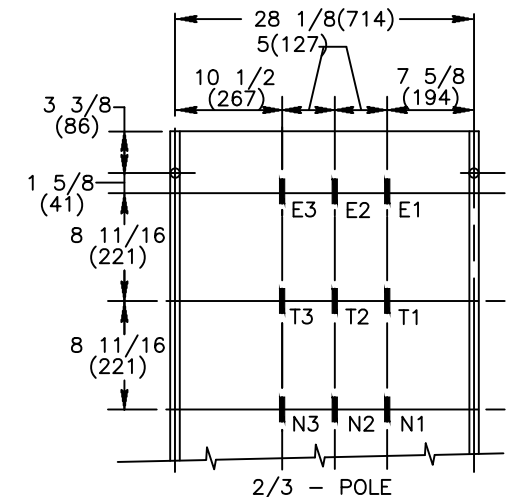


FRONT VIEW

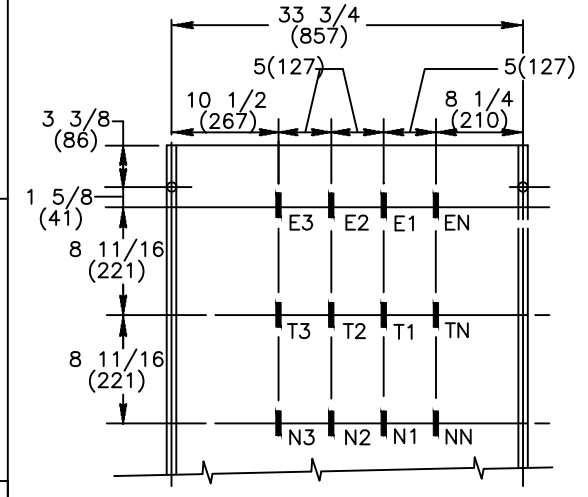


RIGHT SIDE VIEW

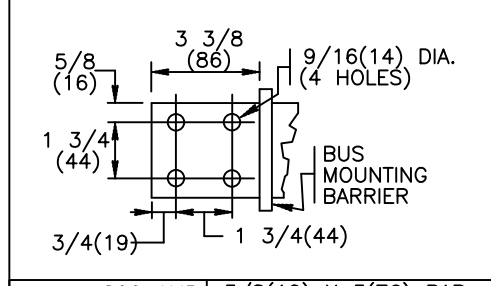
	A	B
2/3-POLES	28 1/8 (714)	3 3/8 (86)
4-POLES	33 3/4 (857)	10 3/4 (273)



BUS DETAILS (REAR VIEW)



BUS DETAILS (REAR VIEW)



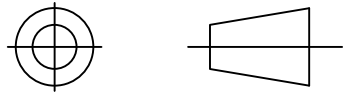
AMP	BAR
800 AMP	3/8(10) X 3(76) BAR
1000,1200 AMP	1/2(13) X 3(76) BAR

BUS DETAIL

NOTES:

1. THE LOCATION OF THE WINDOW ENCLOSURE WITH RELATION TO THE DIMENSIONS OF THE OPEN STYLE BYPASS SWITCH ARE CRITICAL TO THE ALIGNMENT OF THE MANUAL BYPASS HANDLE.
2. SEE SHEET 3 FOR RECOMMENDED DOOR MODIFICATIONS AND CONTROL PANEL DIMENSIONS.
3. FOR 2-POLE SWITCHES, OMIT CENTER POLE.
4. OPEN TYPE BYPASS SWITCH IS SUPPLIED WITH 6 FT. (1.8m) LONG HARNESS BETWEEN ATS POWER AND CONTROL PANELS. HARNESS EXITS FROM CENTER RIGHT OF SWITCH FRAME.
5. RUN ALL CABLES IN REAR OF ENCLOSURE. NO CABLE ENTRY IN FRONT OF ENCLOSURE.
6. ATS DRAWS OUT TOWARD FRONT OF ENCLOSURE.
7. MAINTAIN ELECTRICAL CLEARANCE OF 1(25mm) MINIMUM BETWEEN LIVE METAL PARTS AND GROUNDED METAL.
8. CUSTOMERS CUBICLE MUST INCLUDE A TWO DOOR FRONT. THE TOP DOOR (WHICH ALLOWS ACCESS TO THE BYPASS UNIT) CANNOT BE OPENED UNTIL BOTTOM DOOR IS OPENED.
9. ALL DIMENSIONS ARE FOR REFERENCE ONLY AND SHOWN IN INCHES(MILLIMETERS).

THIRD ANGLE PROJECTION



**ABB PROPRIETARY AND CONFIDENTIAL INFORMATION**  
 The information contained in the document has to be kept strictly confidential. Any unauthorized use, reproduction, distribution or disclosure to third parties is strictly forbidden. ABB reserves all rights regarding intellectual Property Rights. Copyright 2018 ABB. All rights reserved.

AutoCad Generated

SIGNATURES	DATE
MODEL JP	02/29/08
CHECKED	
ENGRG SB	02/29/08
MFG	
QUALITY	
ISSUED	
DRAWING FILE: 90c-2022.dwg	
MODEL / ASSEMBLY FILE: ZBTE 800-1200 AMP 2, 3 & 4 POLE	
# CTQs	

TITLE		
<b>ABB</b>		
ZBTE 800-1200A 2,3,4 POLE OPEN STYLE - REAR BUS		
FIRST MADE FOR: ZBTE 800-1200 AMP 2, 3 & 4 POLE	SIZE B	DWG NO 90C-2022
CAGE CODE	SCALE: NA	SHEET 2 OF 3

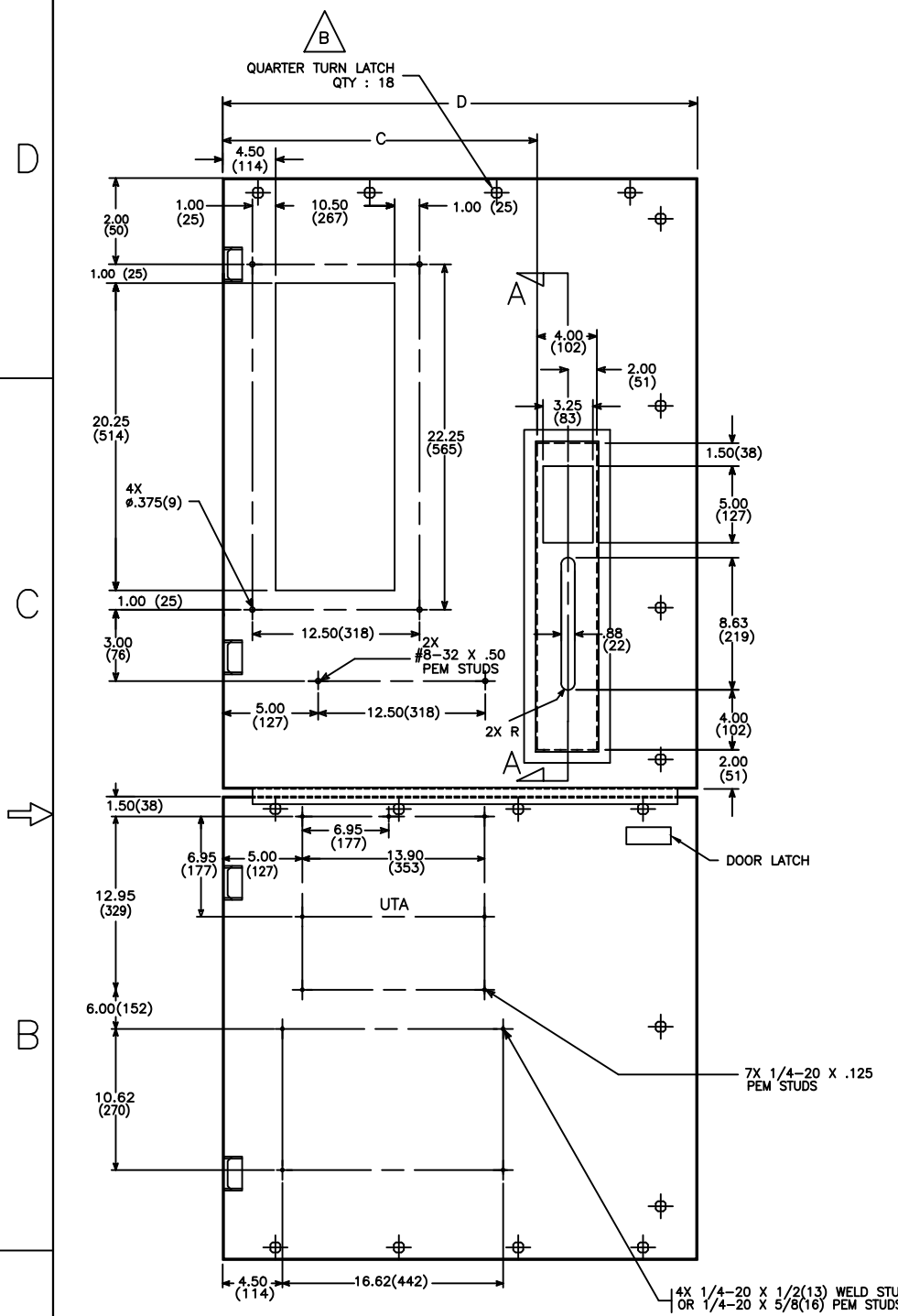
14

13

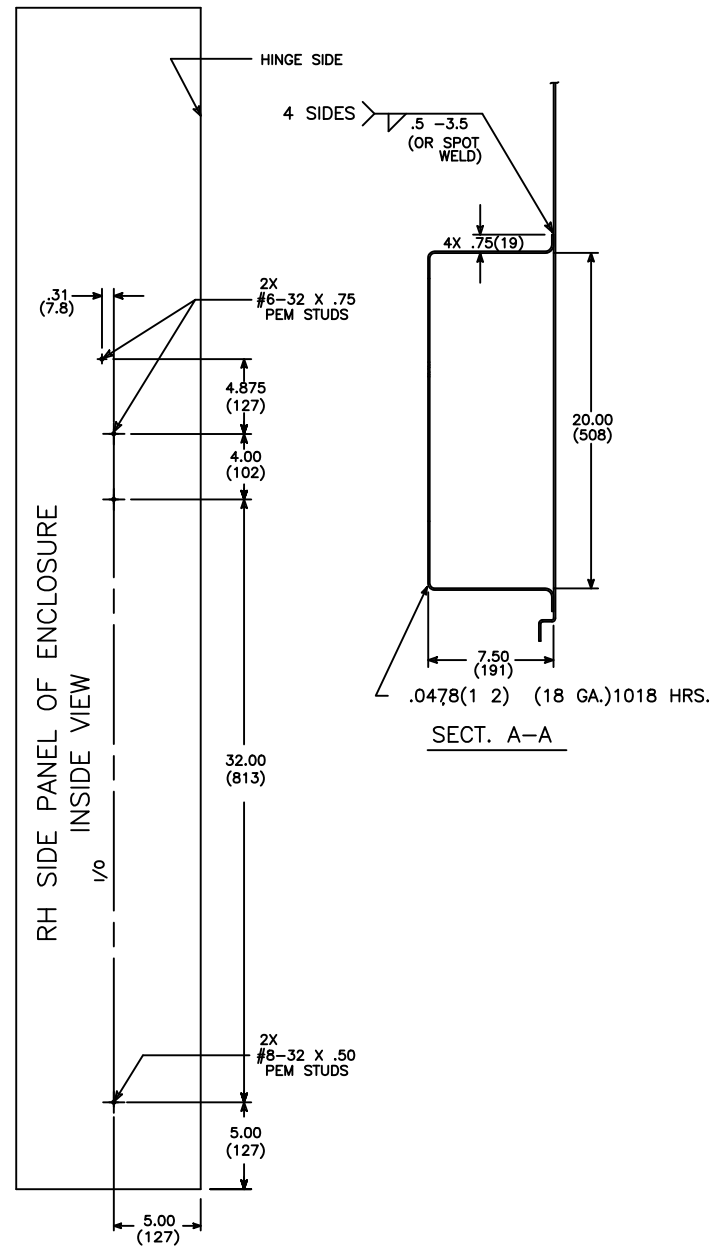
12

11

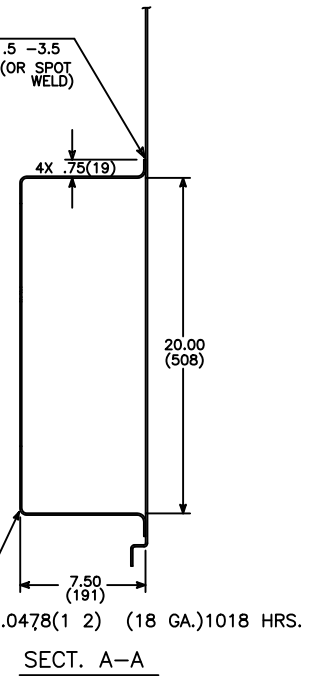
NO. POLES	C	D
2/3 POLES	29.50(749)	39.75(1010)
4 POLES	28.19(716)	45.75(1162)



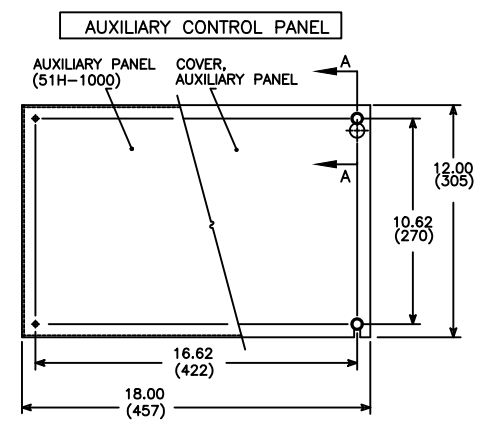
DOOR DETAIL (INSIDE VIEW)



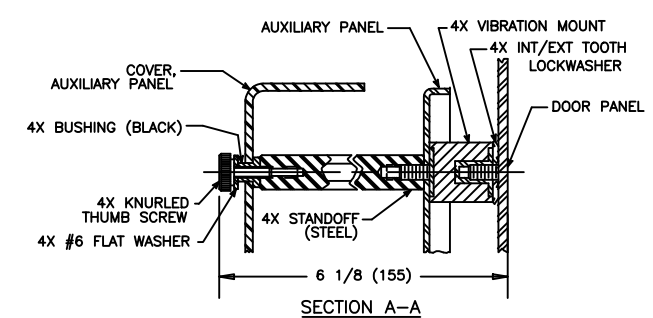
RH SIDE PANEL OF ENCLOSURE INSIDE VIEW



SECT. A-A

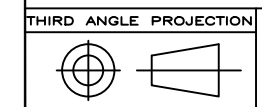


AUXILIARY CONTROL PANEL



SECTION A-A

ALL DIMENSIONS ARE FOR REFERENCE ONLY AND SHOWN IN INCHES(MILLIMETERS).



**ABB PROPRIETARY AND CONFIDENTIAL INFORMATION**  
 The information contained in the document has to be kept strictly confidential.  
 Any unauthorized use, reproduction, distribution or disclosure to third parties is strictly forbidden.  
 ABB reserves all rights regarding intellectual Property Rights.  
 Copyright 2018 ABB. All rights reserved.

FOR ADDITIONAL INFO REFER TO APPLIED PRACTICES UNLESS OTHERWISE SPECIFIED DIMENSIONS ARE IN INCHES	SIGNATURES	DATE
TOLERANCES ON: 2 PL. DECIMALS ± .020 3 PL. DECIMALS ± .005 ANGLES ± 1° FRACTIONS ± 1/64 FINISH ✓	MODEL GG CHECKED ENGRG YP MFG QUALITY ISSUED DRAWING FILE: 90c-2022.dwg MODEL / ASSEMBLY FILE: ZBTE 800-1200A 2, 3 & 4 POLE	02/28/08 02/28/08
AutoCad Generated	# CTQs	CRITICAL TO QUALITY CHARACTERISTIC

<b>ABB</b>		
TITLE ZBTE 800-1200A 2,3,4P OPEN STYLE - DOOR LAYOUT		
FIRST MADE FOR: ZBTE 800-1200 AMP 2, 3 & 4 POLE	SIZE CAGE CODE	DWG NO
	C	90C-2022
SCALE: -	SHEET 3 OF 3	

14

13

12

11