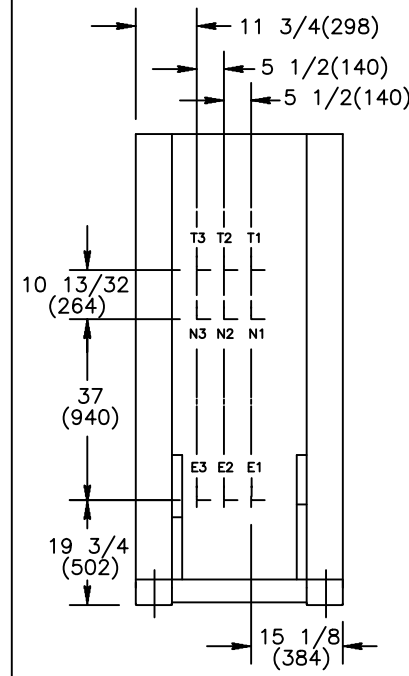
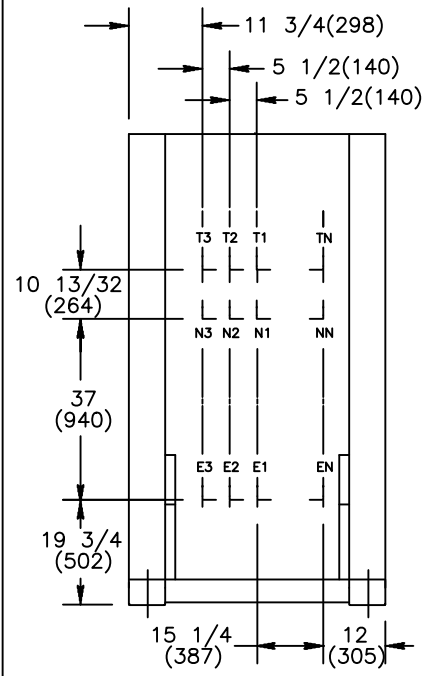


REVISIONS			
REV.	DESCRIPTION	DATE	APPROVED
1	CO76899 UPDATED REBRANDING	10/14/19	AR MAS



2/3-POLE SWITCH
LUG DETAILS (REAR VIEW)



4-POLE SWITCH
LUG DETAILS (REAR VIEW)

	A	B	C
2/3-POLES	40 (1016)	33 (838)	26 (660)
4-POLES	50 (1270)	42 3/4 (1086)	35 3/4 (908)

LUG SIZE	
1600-2000 A (QTY 8)	#2- 600 MCM (33-304mm ²)

NEUTRAL LUGS:
(QTY 12)
3/0-750 MCM
(85-380mm²)

NOTES:

- THE LOCATION OF THE WINDOW ENCLOSURE WITH RELATION TO THE DIMENSIONS OF THE OPEN STYLE BYPASS SWITCH ARE CRITICAL TO THE ALIGNMENT OF THE MANUAL BYPASS HANDLE.
- SEE SHEET 3 FOR RECOMMENDED DOOR MODIFICATIONS AND CONTROL PANEL DIMENSIONS.
- FOR 2-POLE SWITCHES, OMIT CENTER POLE.
- OPEN TYPE BYPASS SWITCH IS SUPPLIED WITH 6 FT. (1.8m) LONG HARNESS BETWEEN ATS POWER AND CONTROL PANELS. HARNESS EXITS FROM TOP RIGHT OF SWITCH FRAME.
- RUN ALL CABLES IN REAR OF ENCLOSURE. NO CABLE ENTRY IN FRONT OF ENCLOSURE.
- ATS DRAWS OUT TOWARD FRONT OF ENCLOSURE.
- MAINTAIN ELECTRICAL CLEARANCE OF 1(25mm) MINIMUM BETWEEN LIVE METAL PARTS AND GROUNDED METAL.
- CUSTOMERS CUBICLE MUST INCLUDE A TWO DOOR FRONT. THE TOP DOOR (WHICH ALLOWS ACCESS TO THE BYPASS UNIT) CANNOT BE OPENED UNTIL BOTTOM DOOR IS OPENED.
- LUGS MAY BE ORIENTED TO ACCEPT CABLING FROM TOP AS WELL AS BOTTOM ENTRY.
- ALL DIMENSIONS ARE FOR REFERENCE ONLY AND SHOWN IN INCHES(MILLIMETERS).

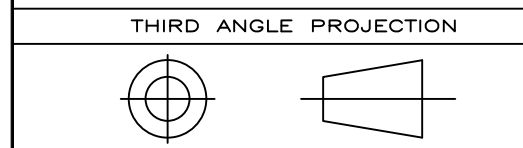


ABB PROPRIETARY AND CONFIDENTIAL INFORMATION
The information contained in the document has to be kept strictly confidential. Any unauthorized use, reproduction, distribution or disclosure to third parties is strictly forbidden. ABB reserves all rights regarding intellectual Property Rights. Copyright 2018 ABB. All rights reserved.

AutoCad Generated

SIGNATURES		DATE
MODEL	JP	02/22/08
CHECKED		
ENGRG	YP	
MFG		
QUALITY		
ISSUED		
DRAWING FILE:	90c-2023.dwg	
MODEL / ASSEMBLY FILE:	ZBTE 1600-2000 AMP 2, 3 & 4 POLE	
# CTQs	⊖	CRITICAL TO QUALITY CHARACTERISTIC

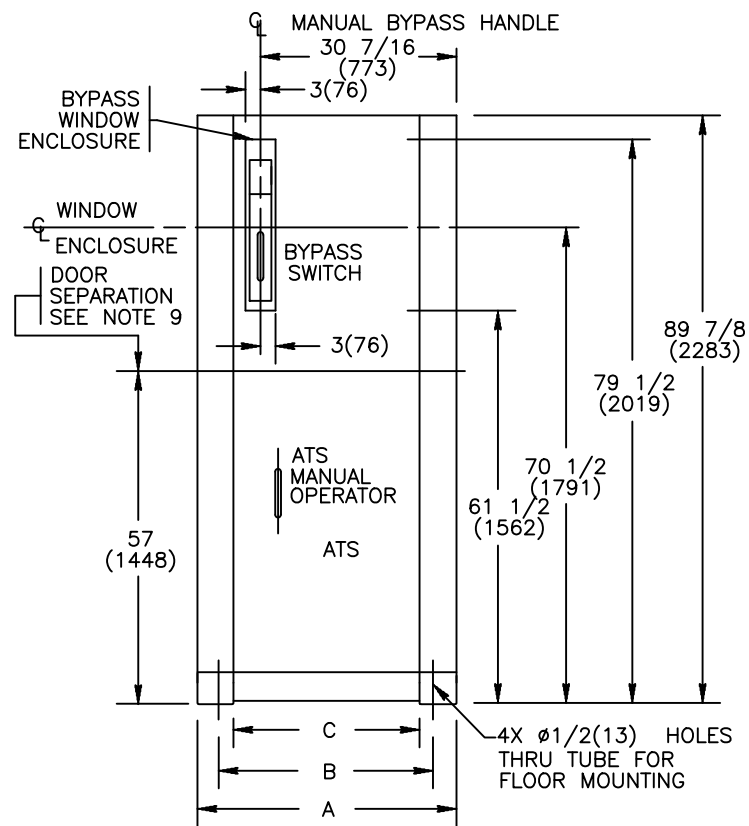
ABB

TITLE
ZBTE 1600A-2000A 2,3,4 POLE
OPEN STYLE - REAR LUGS

FIRST MADE FOR: ZBTE 1600-2000 AMP 2, 3 & 4 POLE

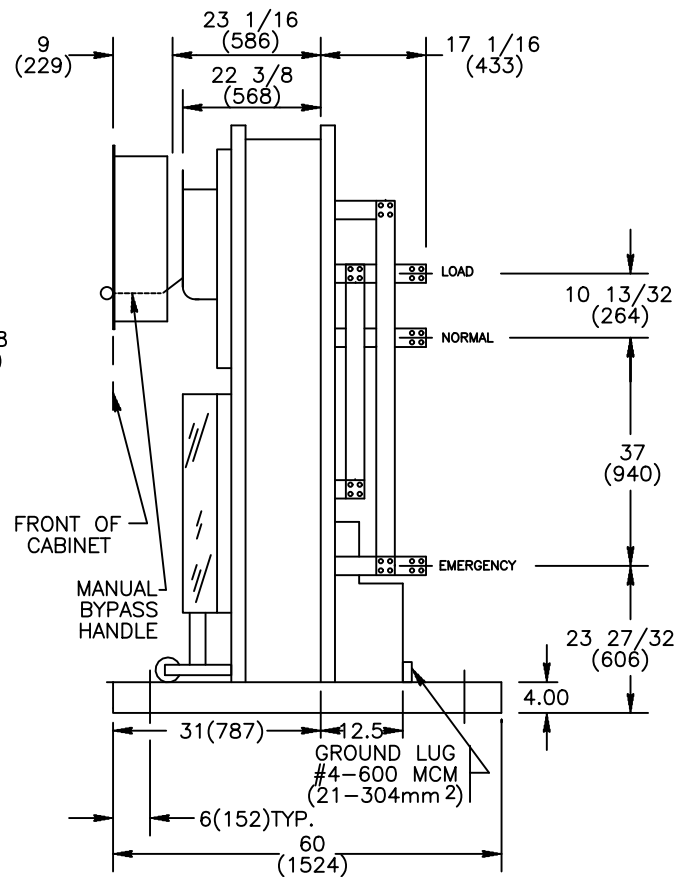
SIZE	CAGE CODE	DWG NO
B		90C-2023

SCALE: N/A SHEET 1 OF 3

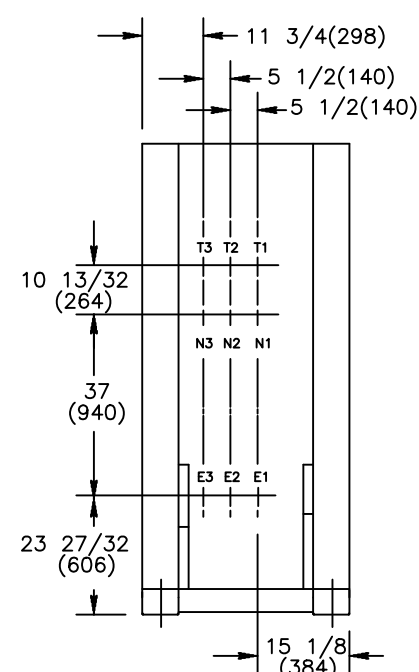


FRONT VIEW

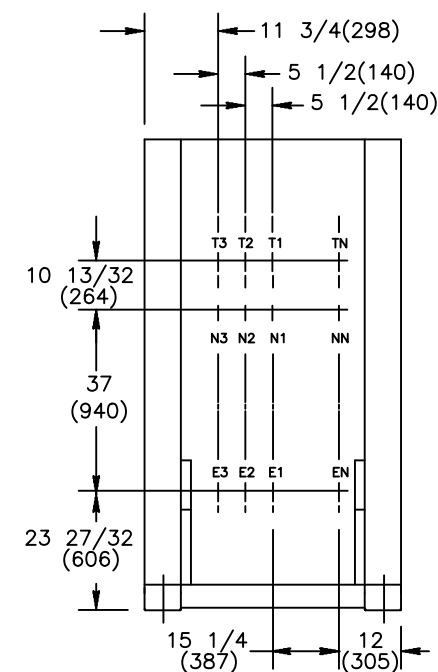
	A	B	C
2/3-POLES	40 (1016)	33 (838)	26 (660)
4-POLES	50 (1270)	42 3/4 (1086)	35 3/4 (908)



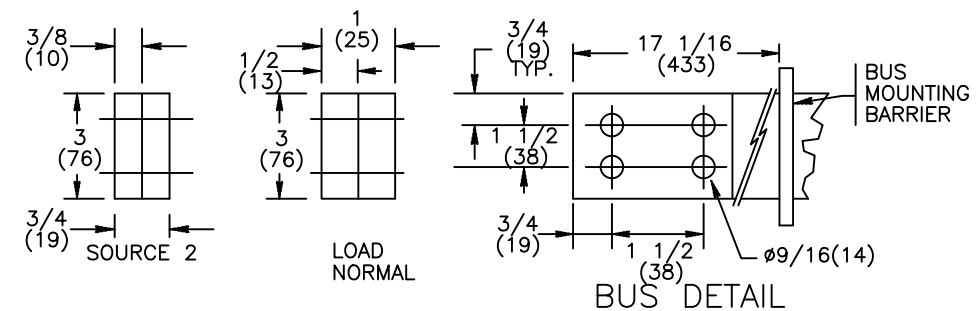
RIGHT SIDE VIEW



2/3-POLE SWITCH
BUS DETAILS
(REAR VIEW)



4-POLE SWITCH
BUS DETAILS
(REAR VIEW)



BUS DETAIL

NOTES:

1. THE LOCATION OF THE WINDOW ENCLOSURE WITH RELATION TO THE DIMENSIONS OF THE OPEN STYLE BYPASS SWITCH ARE CRITICAL TO THE ALIGNMENT OF THE MANUAL BYPASS HANDLE.
2. SEE SHEET 3 FOR RECOMMENDED DOOR MODIFICATIONS AND CONTROL PANEL DIMENSIONS.
3. FOR 2-POLE SWITCHES, OMIT CENTER POLE.
4. OPEN TYPE BYPASS SWITCH IS SUPPLIED WITH 6 FT. (1.8m) LONG HARNESS BETWEEN ATS POWER AND CONTROL PANELS. HARNESS EXITS FROM TOP RIGHT OF SWITCH FRAME.
5. RUN ALL CABLES IN REAR OF ENCLOSURE. NO CABLE ENTRY IN FRONT OF ENCLOSURE.
6. ATS DRAWS OUT TOWARD FRONT OF ENCLOSURE.
7. MAINTAIN ELECTRICAL CLEARANCE OF 1" (25mm) MINIMUM BETWEEN LIVE METAL PARTS AND GROUNDED METAL.
8. CUSTOMERS CUBICLE MUST INCLUDE A TWO DOOR FRONT. THE TOP DOOR (WHICH ALLOWS ACCESS TO THE BYPASS UNIT) CANNOT BE OPENED UNTIL BOTTOM DOOR IS OPENED.
9. ALL DIMENSIONS ARE FOR REFERENCE ONLY AND SHOWN IN INCHES(MILLIMETERS).

THIRD ANGLE PROJECTION

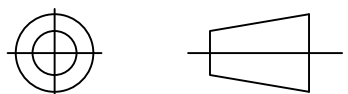


ABB PROPRIETARY AND CONFIDENTIAL INFORMATION

The information contained in the document has to be kept strictly confidential. Any unauthorized use, reproduction, distribution or disclosure to third parties is strictly forbidden. ABB reserves all rights regarding intellectual Property Rights. Copyright 2018 ABB. All rights reserved

AutoCad Generated

SIGNATURES	DATE
MODEL JP	02/22/08
DETAIL	
CHECKED	
ENGRG YP	
MFG	
QUALITY	
ISSUED	
DRAWING FILE: 90c-2023.dwg	
MODEL / ASSEMBLY FILE: ZBTE 1600-2000 AMP 2, 3 & 4 POLE	
# CTQs	⊖ CRITICAL TO QUALITY CHARACTERISTIC



TITLE
ZBTE 1600A-2000A 2,3,4 POLE
OPEN STYLE - REAR BUS

FIRST MADE FOR: ZBTE 1600-2000 AMP 2, 3 & 4 POLE

SIZE CAGE CODE DWG NO

B 90C-2023

SCALE: N/A

SHEET 2 OF 3

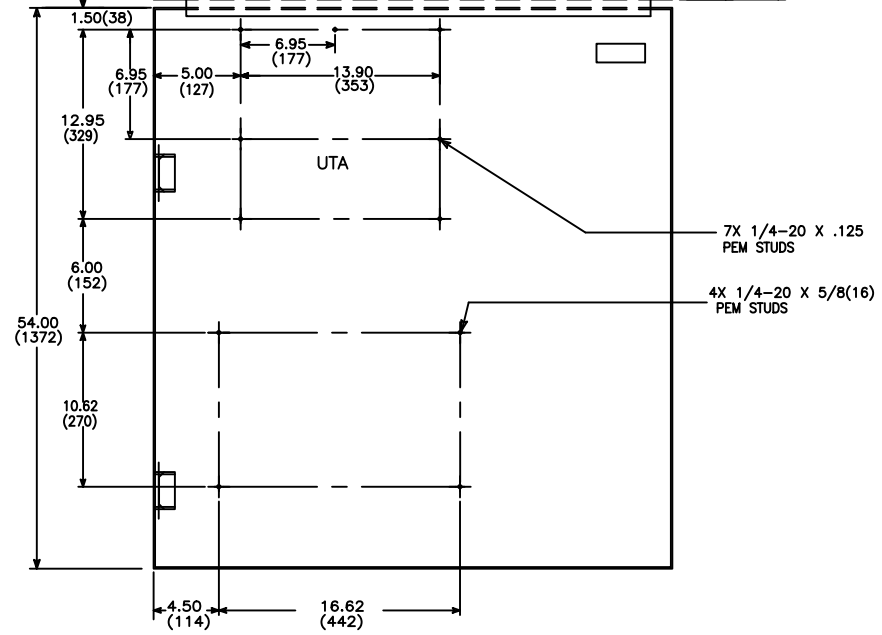
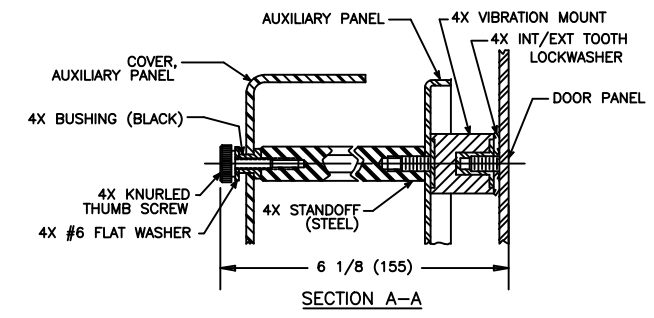
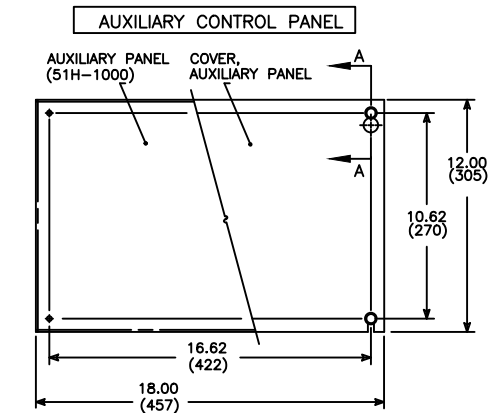
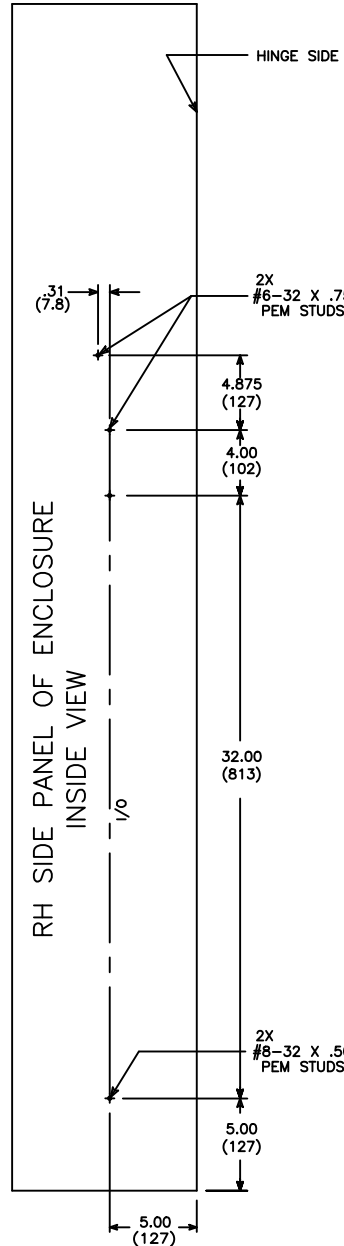
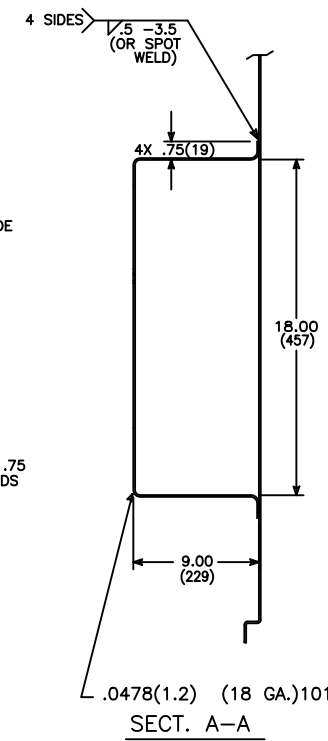
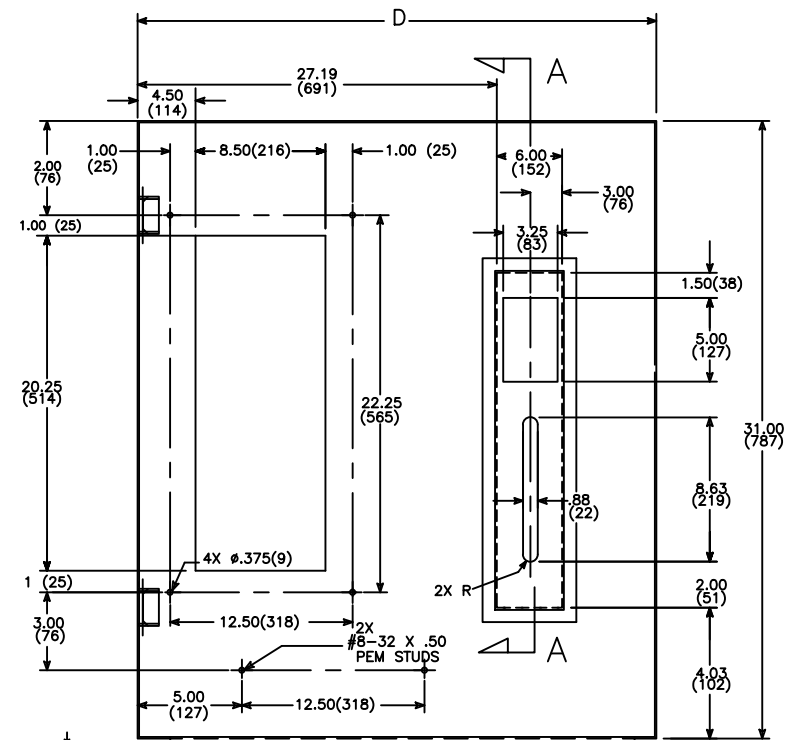
14

13

12

11

NO. POLES	D
2/3 POLES	39.38(1000)
4 POLES	49.38(1254)



DOOR DETAIL (INSIDE VIEW)

ALL DIMENSIONS ARE FOR REFERENCE ONLY AND SHOWN IN INCHES(MILLIMETERS).

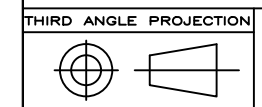


ABB PROPRIETARY AND CONFIDENTIAL INFORMATION
 The information contained in the document has to be kept strictly confidential. Any unauthorized use, reproduction, distribution or disclosure to third parties is strictly forbidden. ABB reserves all rights regarding intellectual Property Rights. Copyright 2018 ABB. All rights reserved.

FOR ADDITIONAL INFO REFER TO	SIGNATURES	DATE
APPLIED PRACTICES	MODEL GG	02/22/08
UNLESS OTHERWISE SPECIFIED DIMENSIONS ARE IN INCHES	DETAIL	
TOLERANCES ON:	CHECKED	
2 PL. DECIMALS ± .020	ENGRG YP	
3 PL. DECIMALS ± .005	MFG	
ANGLES ± 1°	QUALITY	
FRACTIONS ± 1/64	ISSUED	
FINISH ✓	DRAWING FILE: 90c-2023.dwg	
	MODEL / ASSEMBLY FILE: ZBTE 1600-2000 AMP 2, 3 & 4 POLE	
AutoCad Generated	# CTQs	CRITICAL TO QUALITY CHARACTERISTIC

ABB		
TITLE		
ZBTE 1600-2000A 2,3,4P		
OPEN STYLE - DOOR LAYOUT		
FIRST MADE FOR: ZBTE 1600-2000 AMP 2, 3 & 4 POLE		
SIZE	CAGE CODE	DWG NO
C		90C-2023
SCALE: NA	SHEET 3 OF 3	

14

13

12

11