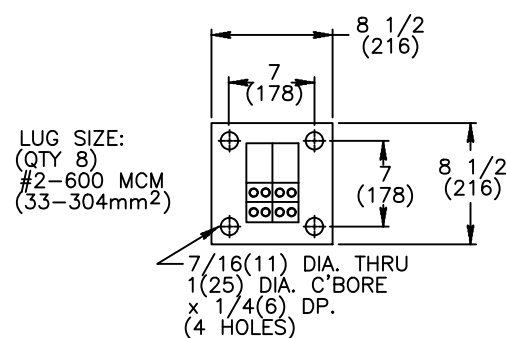
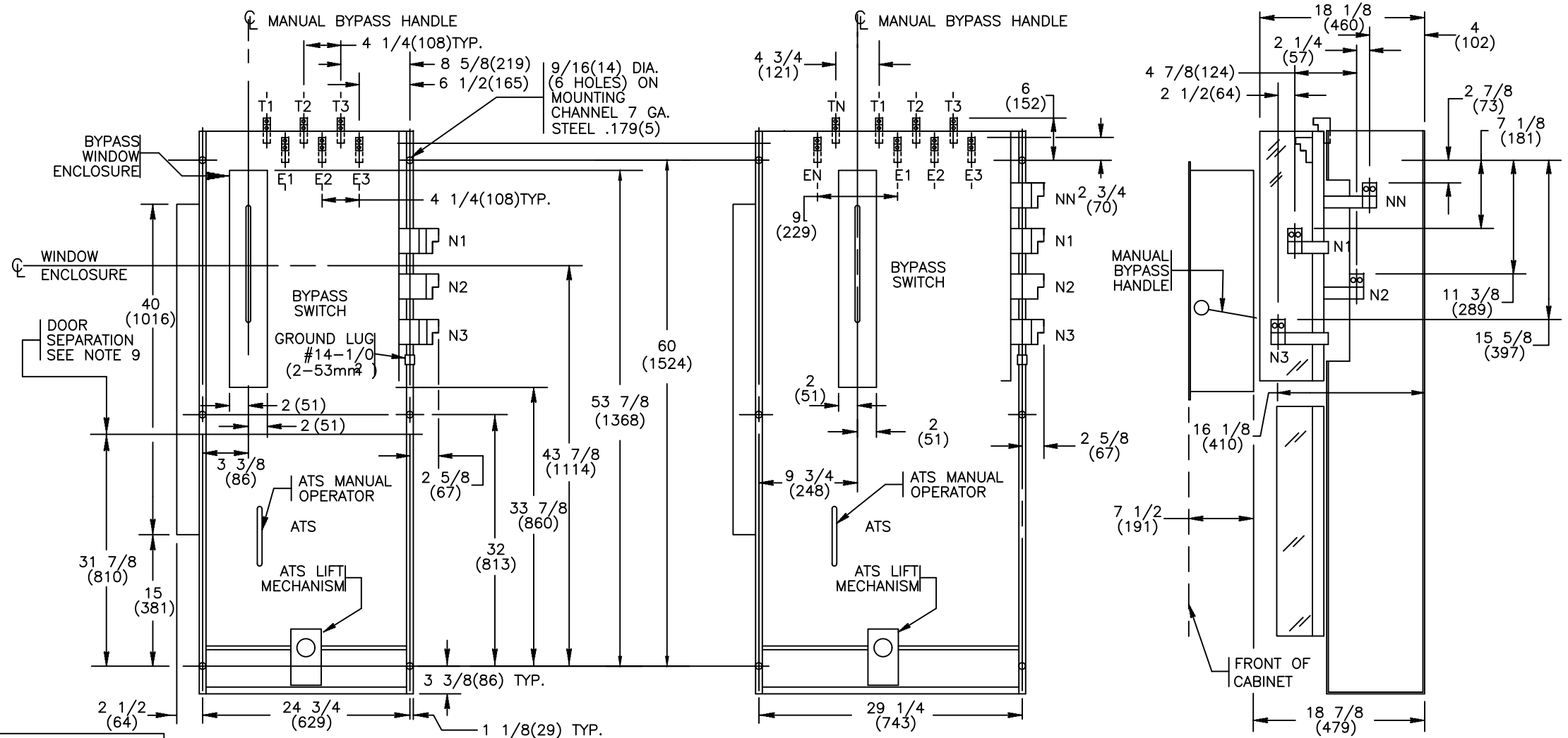


REVISIONS			
REV.	DESCRIPTION	DATE	APPROVED
1	CO76899 UPDATED REBRANDING	10/14/19	AR MAS



NEUTRAL BAR ASSEMBLY



NOTES:

1. THE LOCATION OF THE WINDOW ENCLOSURE WITH RELATION TO THE DIMENSIONS OF THE OPEN STYLE BYPASS SWITCH ARE CRITICAL TO THE ALIGNMENT OF THE MANUAL BYPASS HANDLE.
2. SEE SHEET 3 FOR RECOMMENDED DOOR MODIFICATIONS AND CONTROL PANEL DIMENSIONS.
3. FOR 2-POLE SWITCHES, OMIT CENTER POLE.
4. OPEN TYPE BYPASS SWITCH IS SUPPLIED WITH 6 FT. (1.8m) LONG HARNESS BETWEEN ATS POWER AND CONTROL PANELS. HARNESS EXITS FROM CENTER RIGHT OF SWITCH FRAME.
5. RUN ALL CABLES IN REAR OF ENCLOSURE. NO CABLE ENTRY IN FRONT OF ENCLOSURE.
6. ATS DRAWS OUT TOWARD FRONT OF ENCLOSURE.
7. MAINTAIN ELECTRICAL CLEARANCE OF 1(25mm) MINIMUM BETWEEN LIVE METAL PARTS AND GROUNDED METAL.
8. CUSTOMERS CUBICLE MUST INCLUDE A TWO DOOR FRONT. THE TOP DOOR (WHICH ALLOWS ACCESS TO THE BYPASS UNIT) CANNOT BE OPENED UNTIL BOTTOM DOOR IS OPENED.
9. DIMENSIONS FOR 3-POLE AND 4-POLE SWITCHES ARE IDENTICAL EXCEPT AS NOTED.
10. ALL DIMENSIONS ARE FOR REFERENCE ONLY AND SHOWN IN INCHES(MILLIMETERS).

		LUG SIZE
100-400 A	(QTY 1)	#4- 600 MCM (21-304mm ²)
600 A	(QTY 2)	#2- 600 MCM (33-304mm ²)

NOTE: DRAWING SHOWN WITH 600AMP LUG CONFIGURATION FOR REFERENCE.

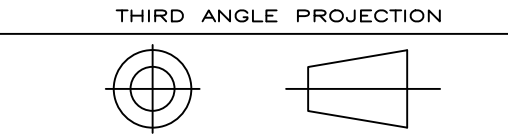


ABB PROPRIETARY AND CONFIDENTIAL INFORMATION
The information contained in the document has to be kept strictly confidential. Any unauthorized use, reproduction, distribution or disclosure to third parties is strictly forbidden. ABB reserves all rights regarding intellectual Property Rights. Copyright 2018 ABB. All rights reserved.

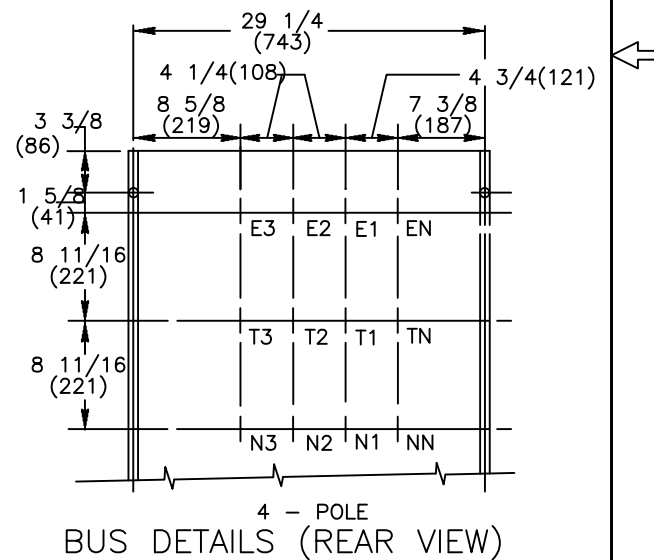
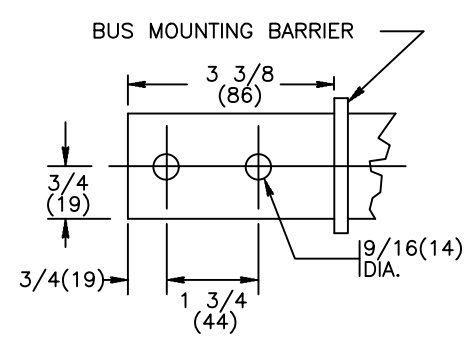
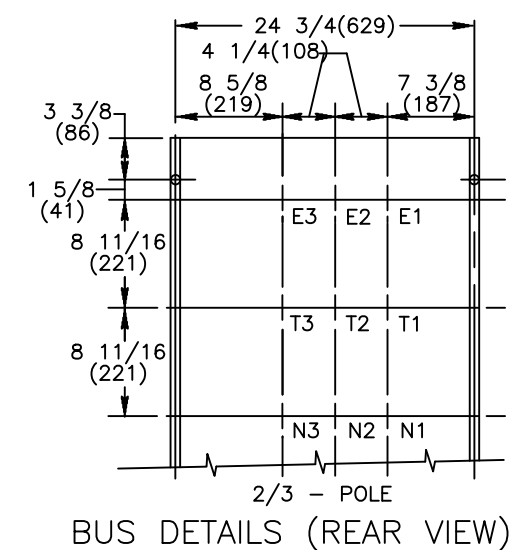
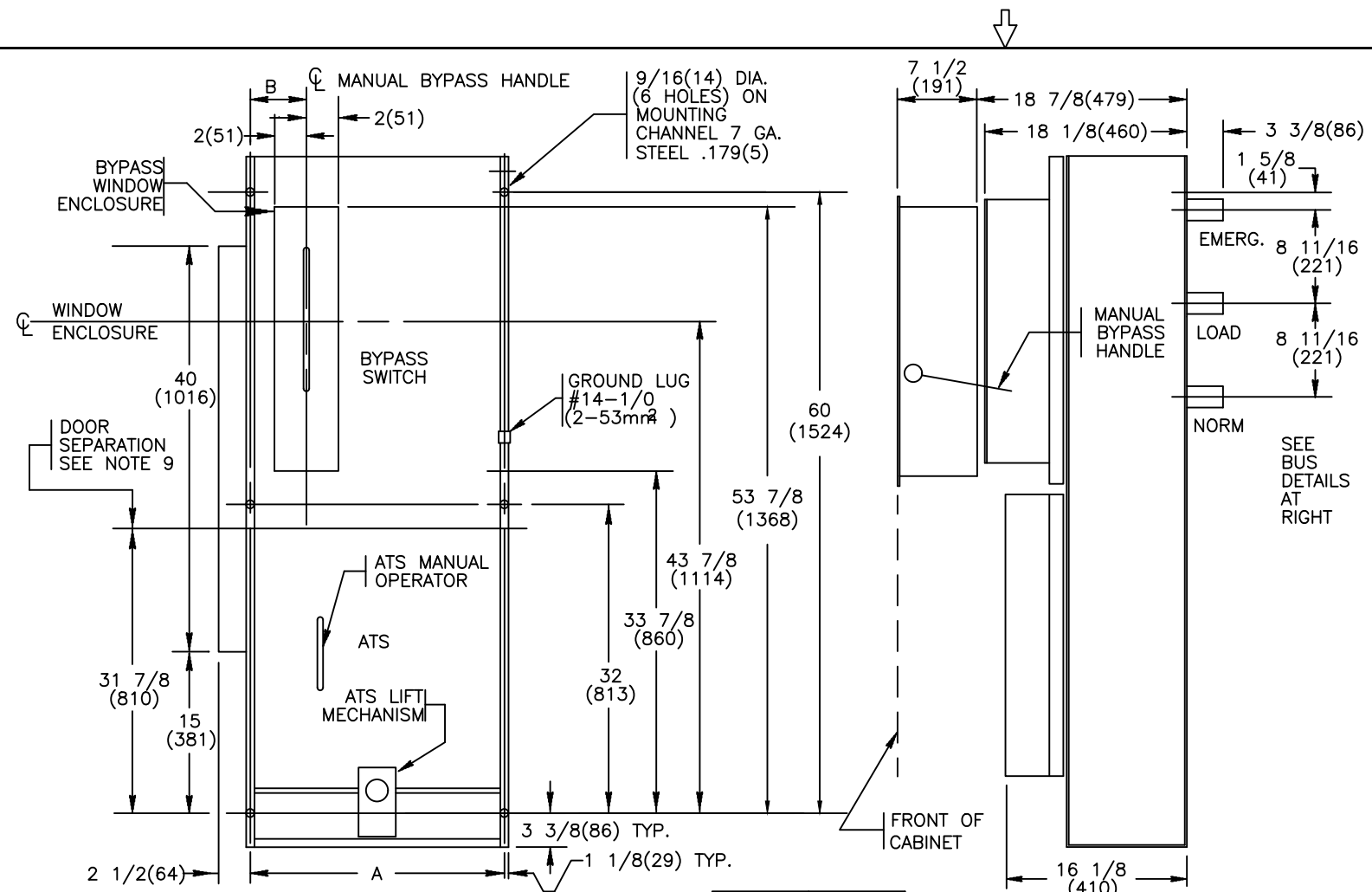
AutoCad Generated

SIGNATURES	DATE
MODEL GG	02/25/08
DETAIL	
CHECKED	
ENGRG YP	
MFG	
QUALITY	
ISSUED	
DRAWING FILE: 90c-2026.drw	
MODEL / ASSEMBLY FILE: ZBTECT 100-600 A, ZBTED 600 A ONLY, 2,3,4 P	
# CTQs	CRITICAL TO QUALITY CHARACTERISTIC

ABB

ZBTECT & ZBTED
OPEN STYLE - FRONT LUGS

TITLE	FIRST MADE FOR: ZBTECT 100-600 AMP, ZBTED 600 AMP ONLY, 2,3 4 POLE
SIZE B	CAGE CODE DWG NO
	90C-2026
SCALE: N/A	SHEET 1 OF 3



	A	B
2/3-POLES	24 3/4 (629)	3 3/8 (86)
4-POLES	29 1/4 (743)	9 3/4 (248)

NOTES:

1. THE LOCATION OF THE WINDOW ENCLOSURE WITH RELATION TO THE DIMENSIONS OF THE OPEN STYLE BYPASS SWITCH ARE CRITICAL TO THE ALIGNMENT OF THE MANUAL BYPASS HANDLE.
2. SEE SHEET 3 FOR RECOMMENDED DOOR MODIFICATIONS AND CONTROL PANEL DIMENSIONS.
3. FOR 2-POLE SWITCHES, OMIT CENTER POLE.
4. OPEN TYPE BYPASS SWITCH IS SUPPLIED WITH 6 FT. (1.8m) LONG HARNESS BETWEEN ATS POWER AND CONTROL PANELS. HARNESS EXITS FROM CENTER RIGHT OF SWITCH FRAME.
5. RUN ALL CABLES IN REAR OF ENCLOSURE. NO CABLE ENTRY IN FRONT OF ENCLOSURE.
6. ATS DRAWS OUT TOWARD FRONT OF ENCLOSURE.
7. MAINTAIN ELECTRICAL CLEARANCE OF 1(25mm) MINIMUM BETWEEN LIVE METAL PARTS AND GROUNDED METAL.
8. CUSTOMERS CUBICLE MUST INCLUDE A TWO DOOR FRONT. THE TOP DOOR (WHICH ALLOWS ACCESS TO THE BYPASS UNIT) CANNOT BE OPENED UNTIL BOTTOM DOOR IS OPENED.
9. ALL DIMENSIONS ARE FOR REFERENCE ONLY AND SHOWN IN INCHES(MILLIMETERS).

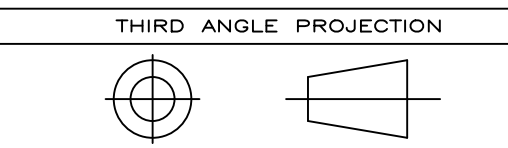


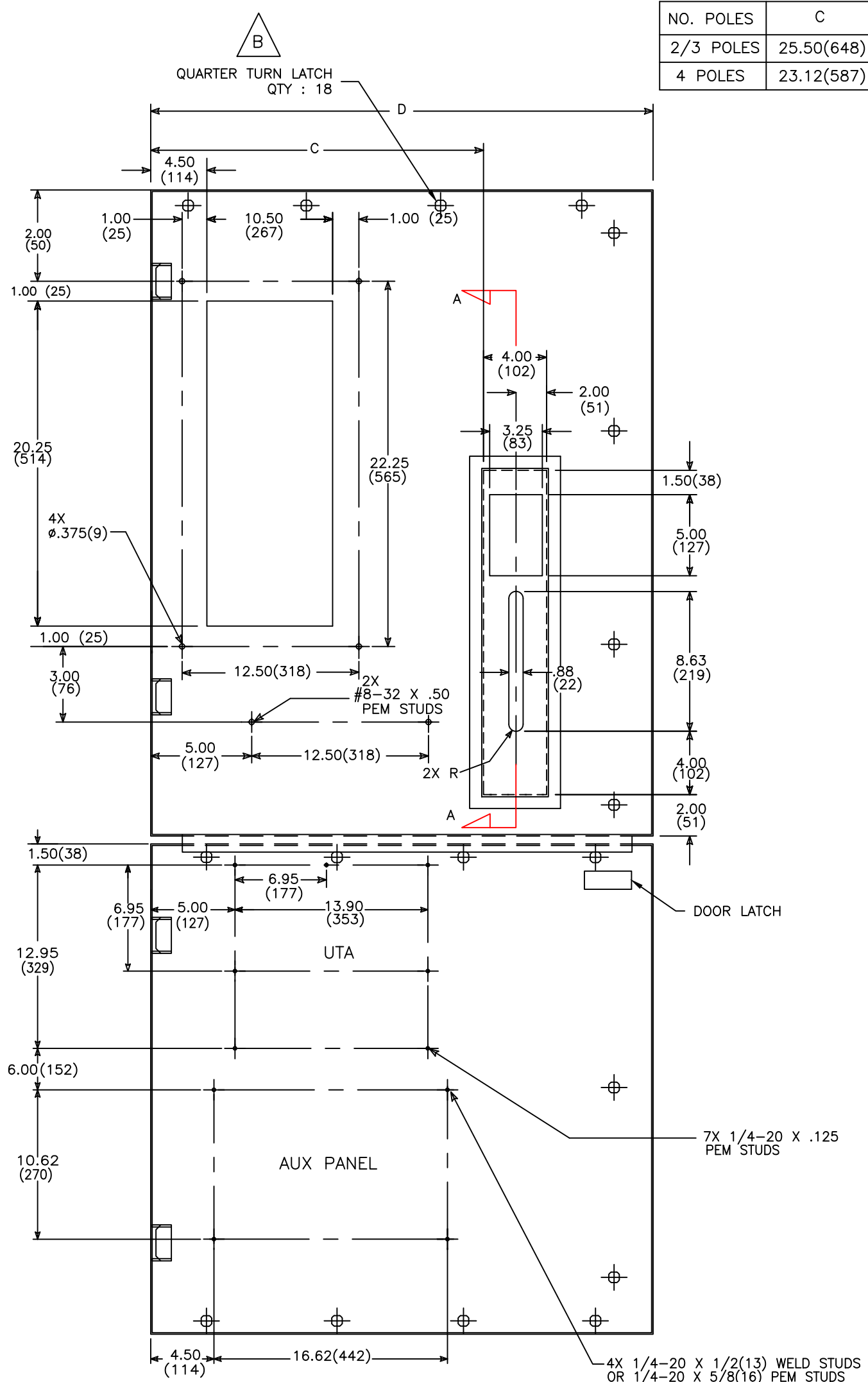
ABB PROPRIETARY AND CONFIDENTIAL INFORMATION

The information contained in the document has to be kept strictly confidential. Any unauthorized use, reproduction, distribution or disclosure to third parties is strictly forbidden. ABB reserves all rights regarding intellectual Property Rights. Copyright 2018 ABB. All rights reserved.

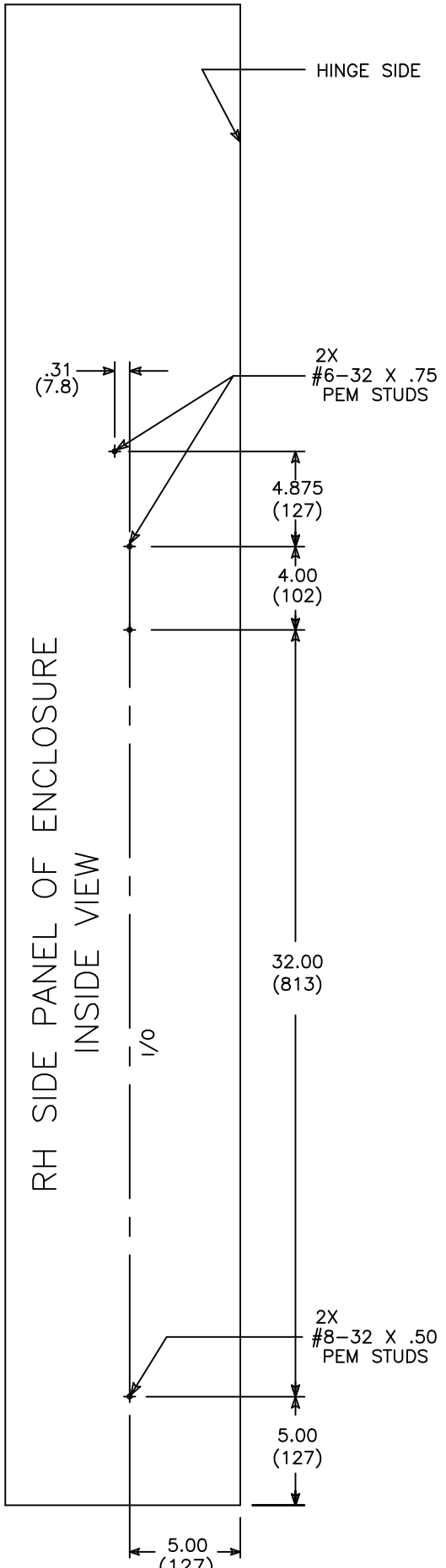
SIGNATURES		DATE		<p>ZBTECT & ZBTED OPEN STYLE - REAR BUS</p>	
MODEL GG		02/25/08			
DETAIL					
CHECKED					
ENGRG YP					
MFG					
QUALITY				TITLE	
ISSUED				FIRST MADE FOR: ZBTECT 100-600 AMP, ZBTED 600 AMP ONLY, 2,3 4 POLE	
DRAWING FILE: 90c-2026.drw		SIZE B	CAGE CODE	DWG NO	
MODEL / ASSEMBLY FILE: ZBTECT 100-600 A, ZBTED 600 A ONLY, 2,3 4 P				90C-2026	
# CTQs		CRITICAL TO QUALITY CHARACTERISTIC		SCALE: N/A	SHEET 2 OF 3

AutoCad Generated

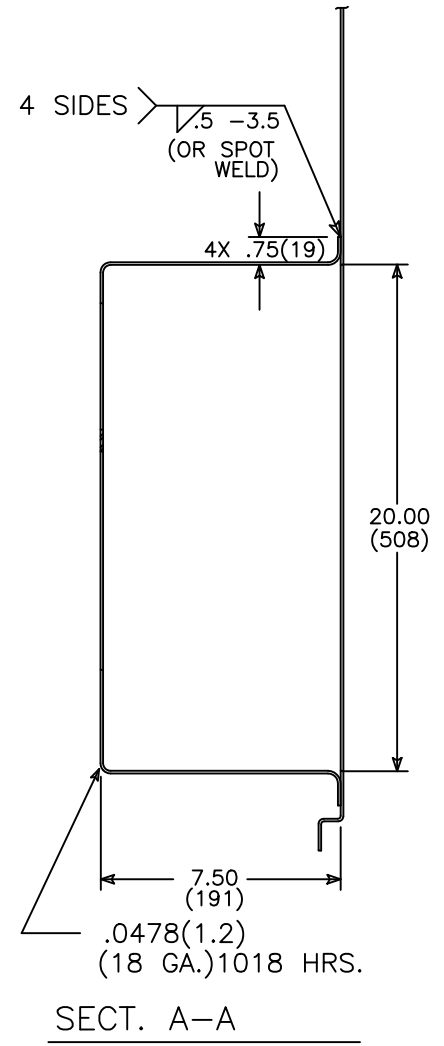
NO. POLES	C	D
2/3 POLES	25.50(648)	35.75(908)
4 POLES	23.12(587)	39.75(1010)



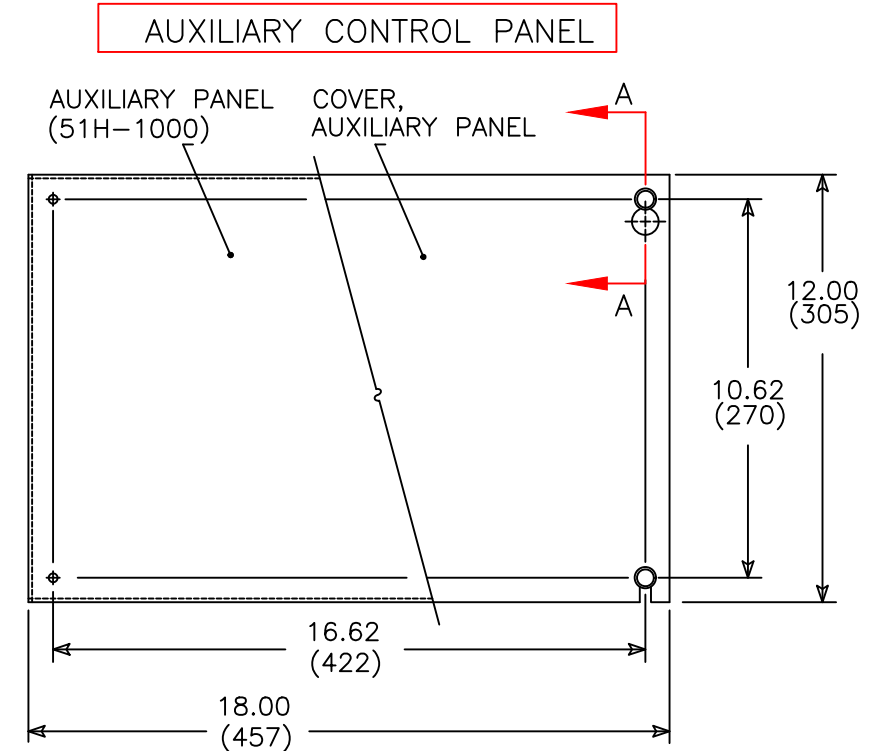
DOOR DETAIL (INSIDE VIEW)



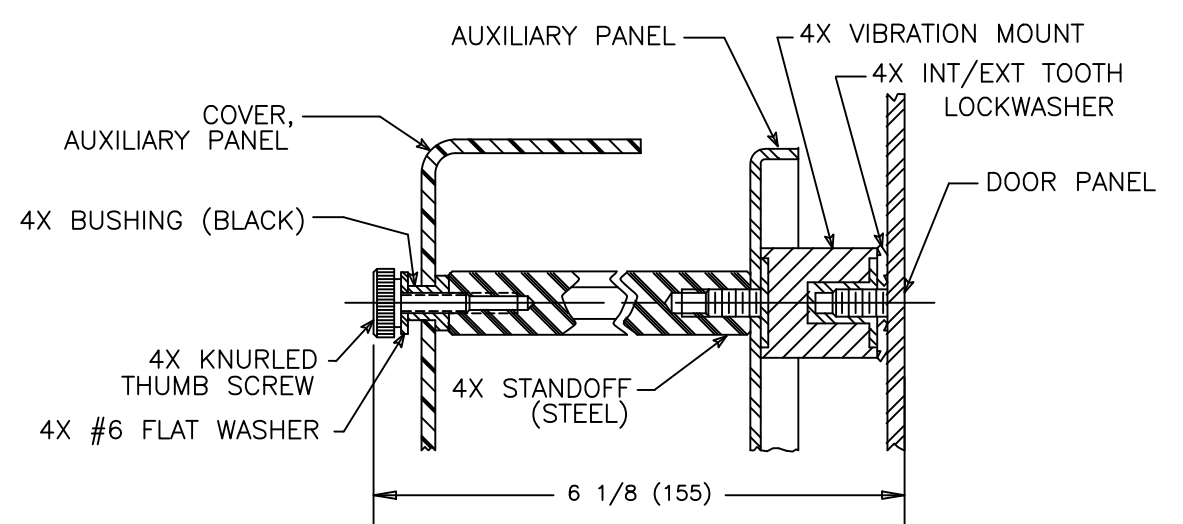
RH SIDE PANEL OF ENCLOSURE
INSIDE VIEW



SECT. A-A



SECTION A-A



ALL DIMENSIONS ARE FOR REFERENCE ONLY AND SHOWN IN INCHES(MILLIMETERS).

FOR ADDITIONAL INFO REFER TO	SIGNATURES	DATE
APPLIED PRACTICES	MODEL GG	02/22/08
UNLESS OTHERWISE SPECIFIED DIMENSIONS ARE IN INCHES	DETAIL	
TOLERANCES ON:	CHECKED	
2 PL. DECIMALS ± .020	ENGRG YP	
3 PL. DECIMALS ± .005	MFG	
ANGLES ± 1°	QUALITY	
FRACTIONS ± 1/64	ISSUED	
FINISH ✓	DRAWING FILE: 90c-2026.drw	
AutoCad Generated	MODEL / ASSEMBLY FILE: ZBTECT.DWG	
# CTQs	CRITICAL TO QUALITY CHARACTERISTIC	

ABB		
TITLE ZBTECT & ZBTED OPEN STYLE - DOOR LAYOUT		
FIRST MADE FOR: ZBTECT 100-600 AMP, ZBTED 600 AMP ONLY		
SIZE C	CAGE CODE	DWG NO 90C-2026
SCALE: NA	SHEET 3 OF 3	

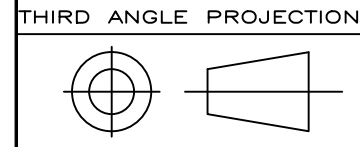


ABB PROPRIETARY AND CONFIDENTIAL INFORMATION
The information contained in the document has to be kept strictly confidential.
Any unauthorized use, reproduction, distribution or disclosure to third parties is strictly forbidden.
ABB reserves all rights regarding intellectual Property Rights.
Copyright 2018 ABB. All rights reserved