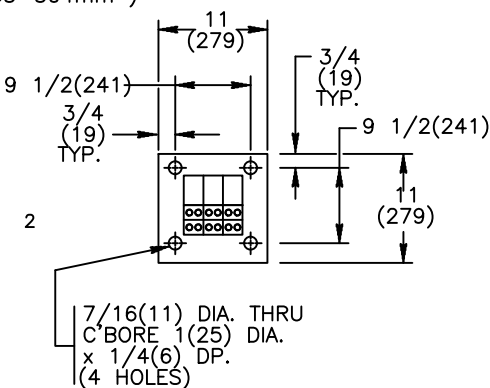


REVISIONS			
REV.	DESCRIPTION	DATE	APPROVED
1	CO76899 UPDATED REBRANDING	10/14/19	AR MAS

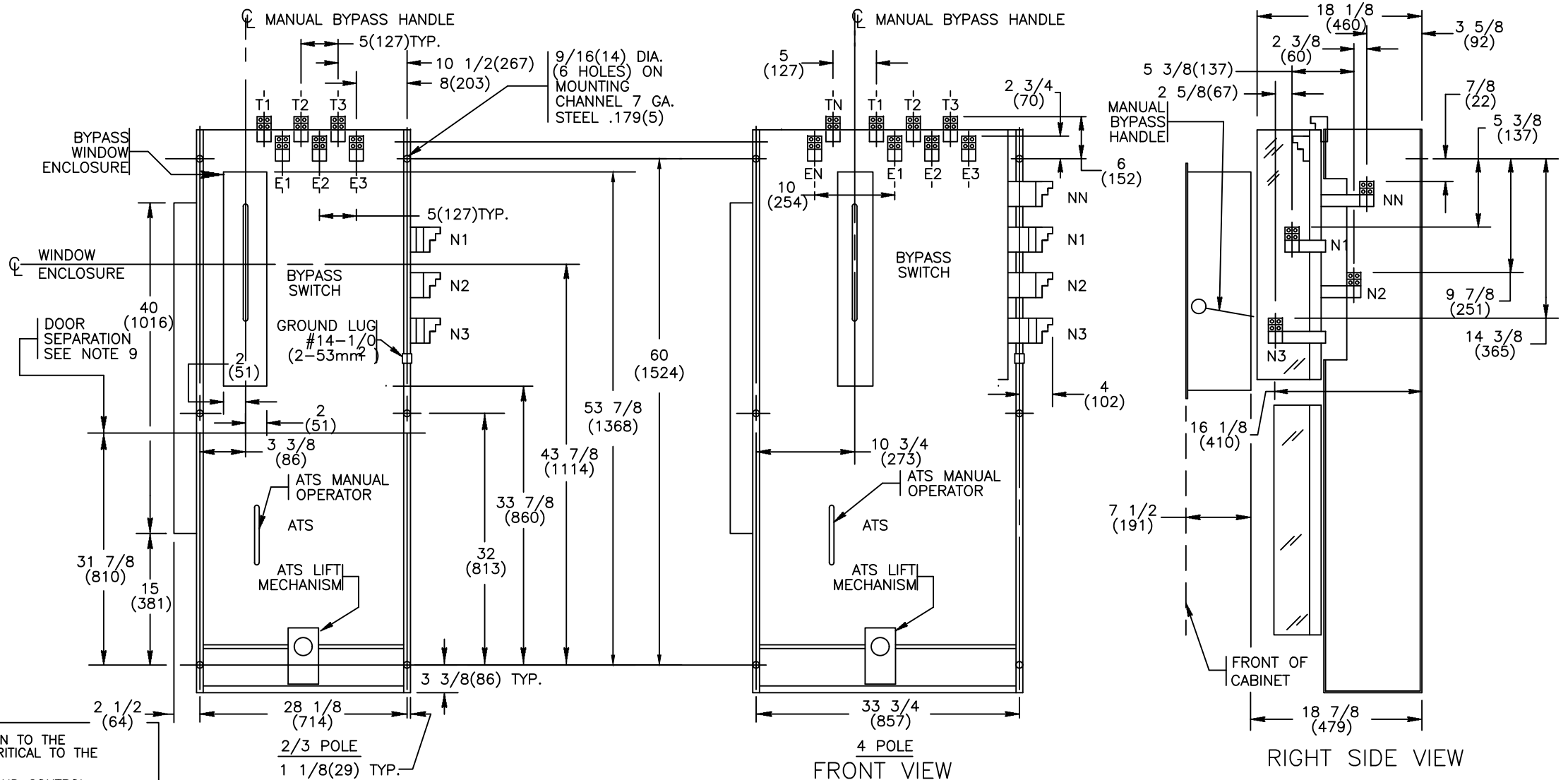
LUG SIZE:
(QTY 12)
#2-600 MCM
(33-304mm)



NEUTRAL BAR ASSEMBLY

NOTES:

1. THE LOCATION OF THE WINDOW ENCLOSURE WITH RELATION TO THE DIMENSIONS OF THE OPEN STYLE BYPASS SWITCH ARE CRITICAL TO THE ALIGNMENT OF THE MANUAL BYPASS HANDLE.
2. SEE SHEET 3 FOR RECOMMENDED DOOR MODIFICATIONS AND CONTROL PANEL DIMENSIONS.
3. FOR 2-POLE SWITCHES, OMIT CENTER POLE.
4. OPEN TYPE BYPASS SWITCH IS SUPPLIED WITH 6 FT. (1.8m) LONG HARNESS BETWEEN ATS POWER AND CONTROL PANELS. HARNESS EXITS FROM CENTER RIGHT OF SWITCH FRAME.
5. RUN ALL CABLES IN REAR OF ENCLOSURE. NO CABLE ENTRY IN FRONT OF ENCLOSURE.
6. ATS DRAWS OUT TOWARD FRONT OF ENCLOSURE.
7. MAINTAIN ELECTRICAL CLEARANCE OF 1(25mm) MINIMUM BETWEEN LIVE METAL PARTS AND GROUNDED METAL.
8. CUSTOMERS CUBICLE MUST INCLUDE A TWO DOOR FRONT. THE TOP DOOR (WHICH ALLOWS ACCESS TO THE BYPASS UNIT) CANNOT BE OPENED UNTIL BOTTOM DOOR IS OPENED.
9. DIMENSIONS FOR 3-POLE AND 4-POLE SWITCHES ARE IDENTICAL EXCEPT AS NOTED.
10. ALL DIMENSIONS ARE FOR REFERENCE ONLY AND SHOWN IN INCHES(MILLIMETERS).



	LUG SIZES
800A	(QTY 4) #2-600 MCM (33-304mm ²)
1000, 1200A	(QTY 4) #2-600 MCM (33-304mm ²)

SIGNATURES	DATE
MODEL JP	02/29/08
Detailed	
CHECKED	
ENGRG SB	02/29/08
MFG	
QUALITY	
ISSUED	

ABB

TITLE
ZBTED/CT 800-1200A 2,3,4P
OPEN STYLE - FRONT LUGS

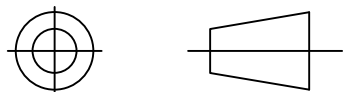
FIRST MADE FOR: ZBTED/CT 800-1200 AMP 2, 3, & 4 POLE

DRAWING FILE: 90c-2027.dwg
MODEL / ASSEMBLY FILE: ZBTED/CT 800-1200 AMP 2, 3, & 4 POLE

SIZE B
CAGE CODE
DWG NO 90C-2027
SCALE: N/A
SHEET 1 OF 3

ABB PROPRIETARY AND CONFIDENTIAL INFORMATION
The information contained in the document has to be kept strictly confidential. Any unauthorized use, reproduction, distribution or disclosure to third parties is strictly forbidden. ABB reserves all rights regarding intellectual Property Rights. Copyright 2018 ABB. All rights reserved.

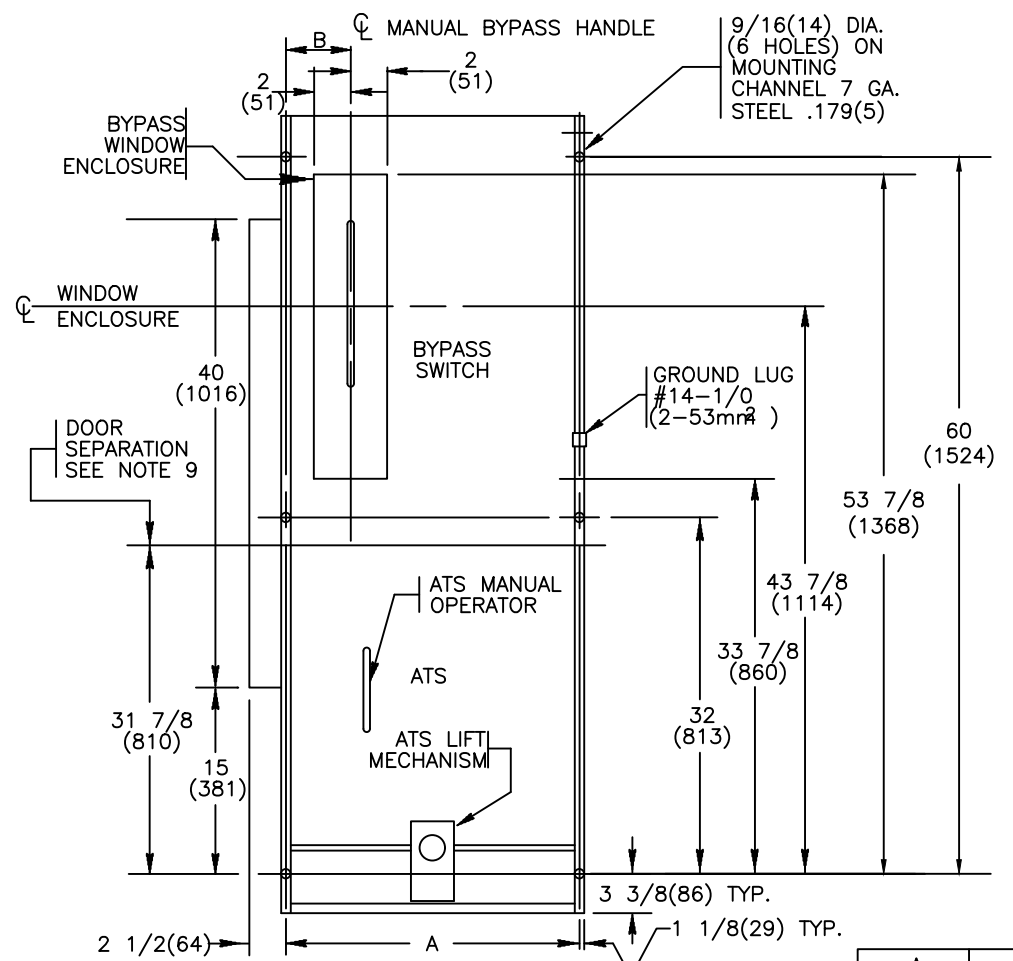
THIRD ANGLE PROJECTION



AutoCad Generated

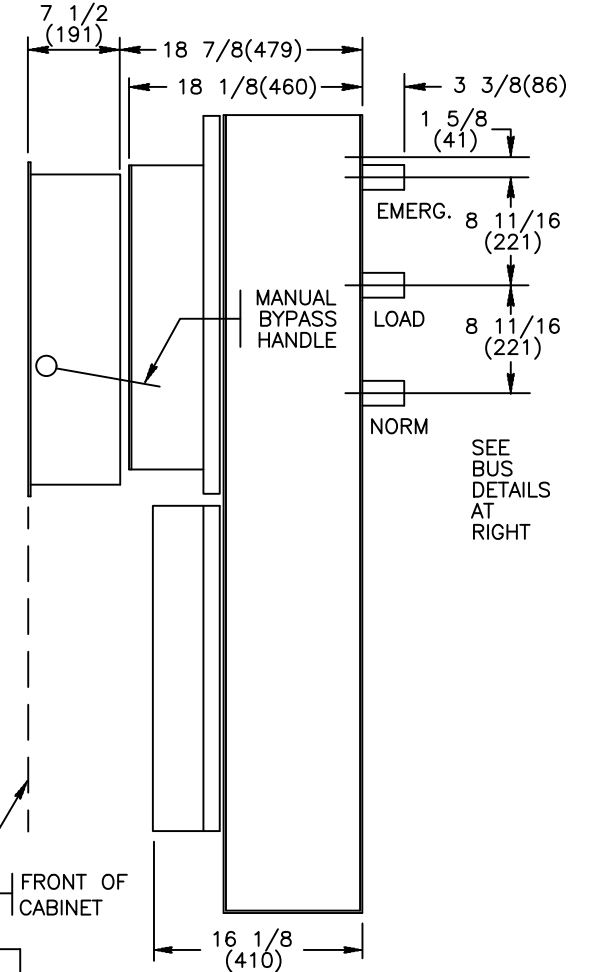
CTQs

CRITICAL TO QUALITY CHARACTERISTIC

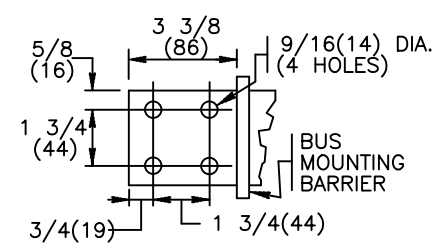


FRONT VIEW

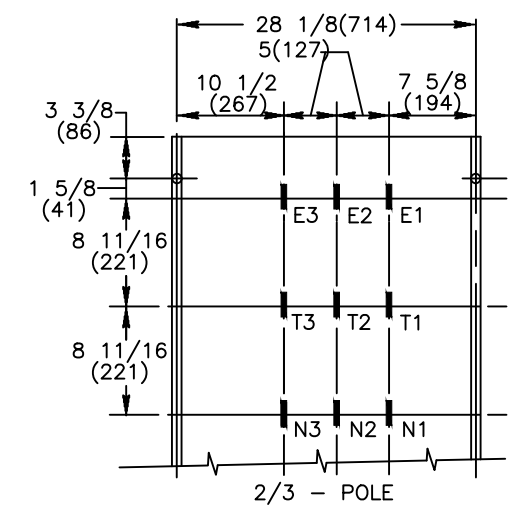
	A	B
2/3-POLES	28 1/8 (714)	3 3/8 (86)
4-POLES	33 3/4 (857)	10 3/4 (273)



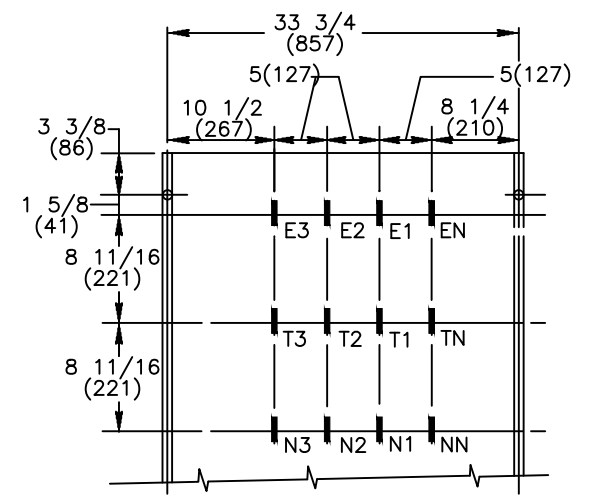
RIGHT SIDE VIEW



BUS DETAIL



BUS DETAILS (REAR VIEW)



BUS DETAILS (REAR VIEW)

NOTES:

1. THE LOCATION OF THE WINDOW ENCLOSURE WITH RELATION TO THE DIMENSIONS OF THE OPEN STYLE BYPASS SWITCH ARE CRITICAL TO THE ALIGNMENT OF THE MANUAL BYPASS HANDLE.
2. SEE SHEET 3 FOR RECOMMENDED DOOR MODIFICATIONS AND CONTROL PANEL DIMENSIONS.
3. FOR 2-POLE SWITCHES, OMIT CENTER POLE.
4. OPEN TYPE BYPASS SWITCH IS SUPPLIED WITH 6 FT. (1.8m) LONG HARNESS BETWEEN ATS POWER AND CONTROL PANELS. HARNESS EXITS FROM CENTER RIGHT OF SWITCH FRAME.
5. RUN ALL CABLES IN REAR OF ENCLOSURE. NO CABLE ENTRY IN FRONT OF ENCLOSURE.
6. ATS DRAWS OUT TOWARD FRONT OF ENCLOSURE.
7. MAINTAIN ELECTRICAL CLEARANCE OF 1(25mm) MINIMUM BETWEEN LIVE METAL PARTS AND GROUNDED METAL.
8. CUSTOMERS CUBICLE MUST INCLUDE A TWO DOOR FRONT. THE TOP DOOR (WHICH ALLOWS ACCESS TO THE BYPASS UNIT) CANNOT BE OPENED UNTIL BOTTOM DOOR IS OPENED.
9. ALL DIMENSIONS ARE FOR REFERENCE ONLY AND SHOWN IN INCHES(MILLIMETERS).



TITLE
ZBTED/CT 800-1200A 2,3,4P
OPEN STYLE - REAR BUS

FIRST MADE FOR: ZBTED/CT 800-1200 AMP 2, 3, & 4 POLE

SIZE CAGE CODE DWG NO
B 90C-2027

SCALE: N/A SHEET 2 OF 3

THIRD ANGLE PROJECTION

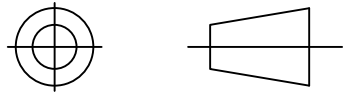


ABB PROPRIETARY AND CONFIDENTIAL INFORMATION

The information contained in the document has to be kept strictly confidential. Any unauthorized use, reproduction, distribution or disclosure to third parties is strictly forbidden. ABB reserves all rights regarding intellectual Property Rights. Copyright 2018 ABB. All rights reserved

FOR ADDITIONAL INFO REFER TO	SIGNATURES	DATE
APPLIED PRACTICES	MODEL JP	02/29/08
UNLESS OTHERWISE SPECIFIED DIMENSIONS ARE IN INCHES	DETAIL	
TOLERANCES ON:	CHECKED	
2 PL. DECIMALS ± .020	ENGRG SB	02/29/08
3 PL. DECIMALS ± .005	MFG	
ANGLES ± 1°	QUALITY	
FRACTIONS ± 1/64	ISSUED	
FINISH	DRAWING FILE: 90C-2027.dwg	
✓	MODEL / ASSEMBLY FILE: ZBTED/CT 800-1200 AMP 2, 3, & 4 POLE	
AutoCad Generated	# CTQs	⊕ CRITICAL TO QUALITY CHARACTERISTIC

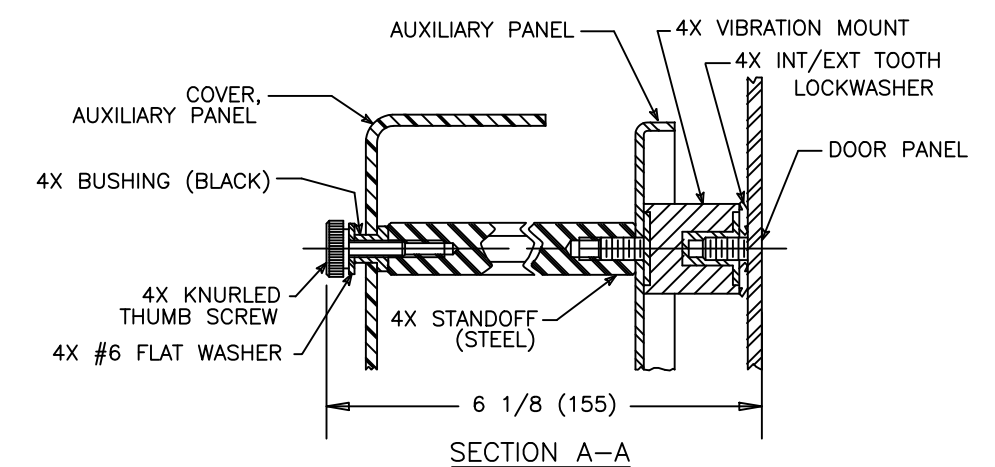
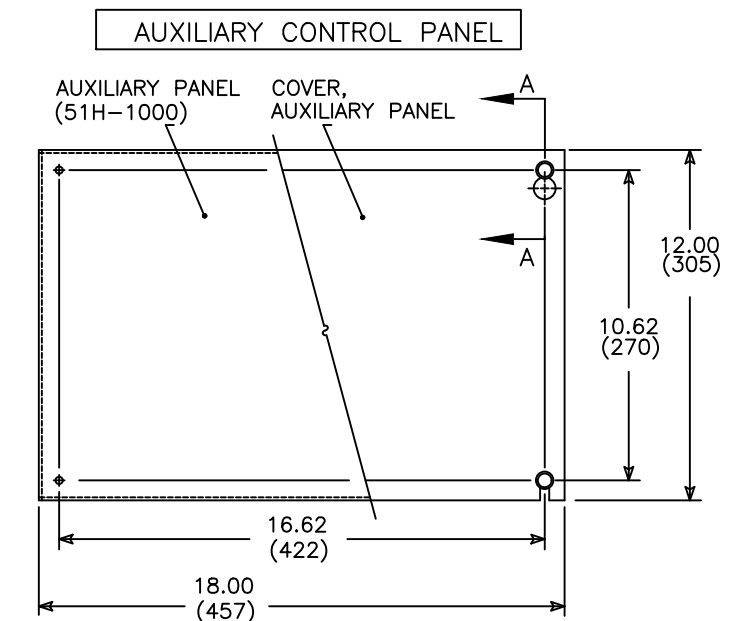
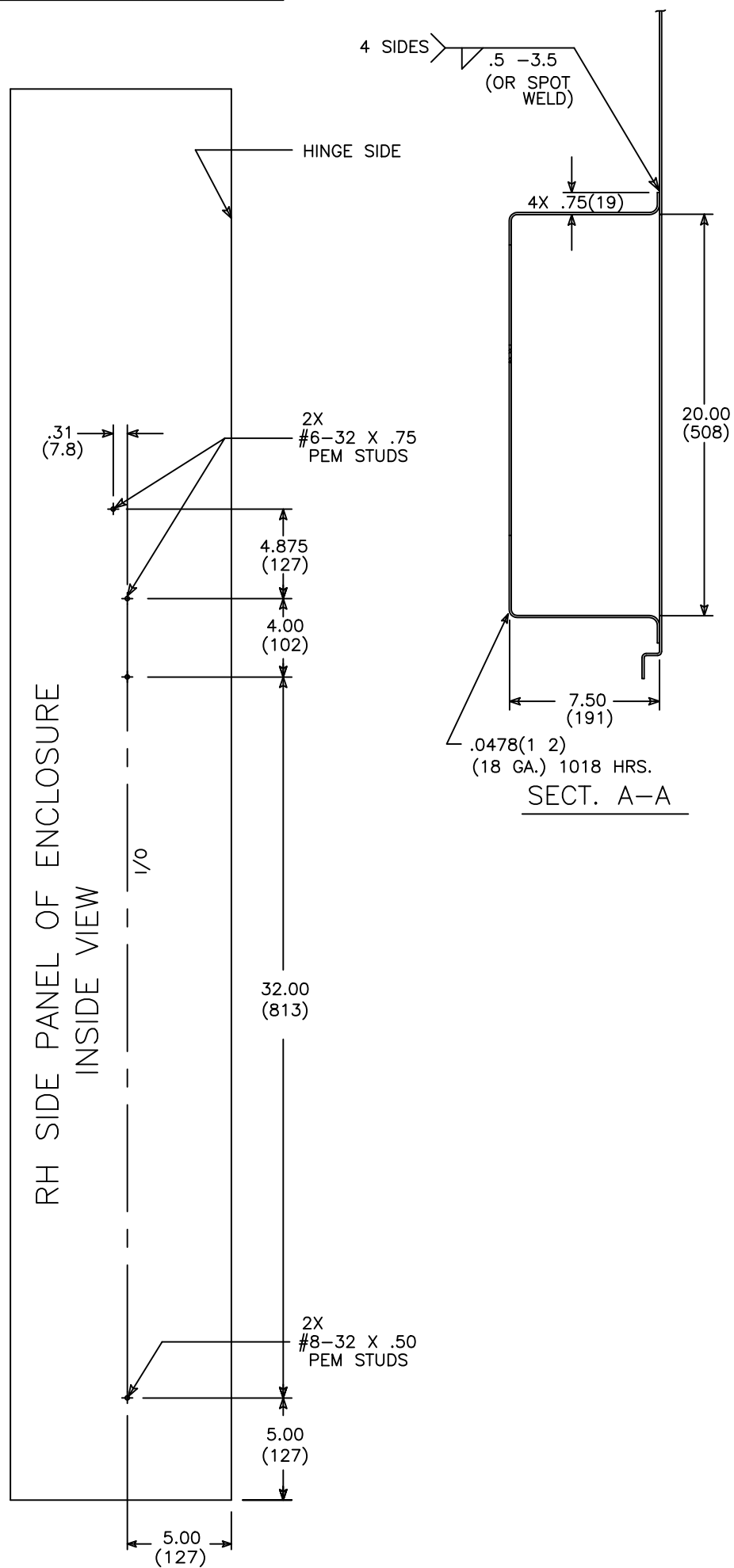
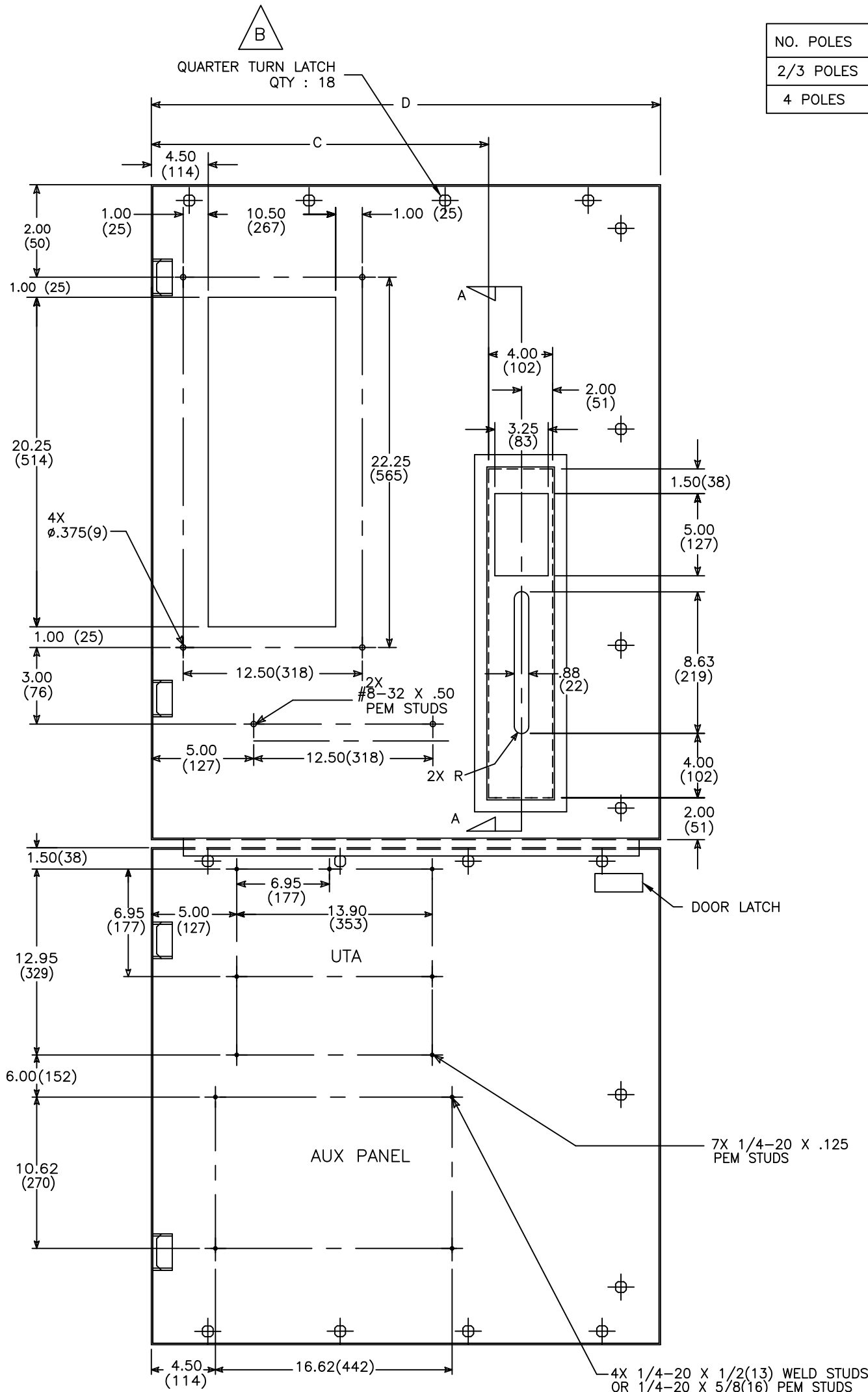
14

13

12

11

NO. POLES	C	D
2/3 POLES	29.50(749)	39.75(1010)
4 POLES	28.19(716)	45.75(1162)



DOOR DETAIL (INSIDE VIEW)

ALL DIMENSIONS ARE FOR REFERENCE ONLY AND SHOWN IN INCHES(MILLIMETERS).

FOR ADDITIONAL INFO REFER TO	SIGNATURES	DATE
APPLIED PRACTICES	MODEL JP	2/29/08
UNLESS OTHERWISE SPECIFIED DIMENSIONS ARE IN INCHES	DETAIL	
TOLERANCES ON:	CHECKED	
2 PL. DECIMALS ± .020	ENGRG SB	2/29/08
3 PL. DECIMALS ± .005	MFG	
ANGLES ± 1°	QUALITY	
FRACTIONS ± 1/64	ISSUED	
FINISH ✓	DRAWING FILE: 90c-2027.dwg	
RasterX Generated	MODEL / ASSEMBLY FILE: ZBTED/CT 800-1200 AMP 2, 3, & 4 POLE	
# CTQs	CRITICAL TO QUALITY CHARACTERISTIC	



OPEN STYLE - DOOR LAYOUT

FIRST MADE FOR: ZBTED/CT 800-1200 AMP 2, 3, & 4 POLE

SIZE C CAGE CODE DWG NO 90C-2027

SCALE: NA SHEET 3 OF 3

THIRD ANGLE PROJECTION

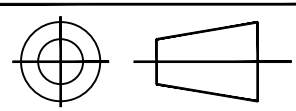


ABB PROPRIETARY AND CONFIDENTIAL INFORMATION

The information contained in the document has to be kept strictly confidential. Any unauthorized use, reproduction, distribution or disclosure to third parties is strictly forbidden. ABB reserves all rights regarding intellectual Property Rights. Copyright 2018 ABB. All rights reserved

14

13

12

11