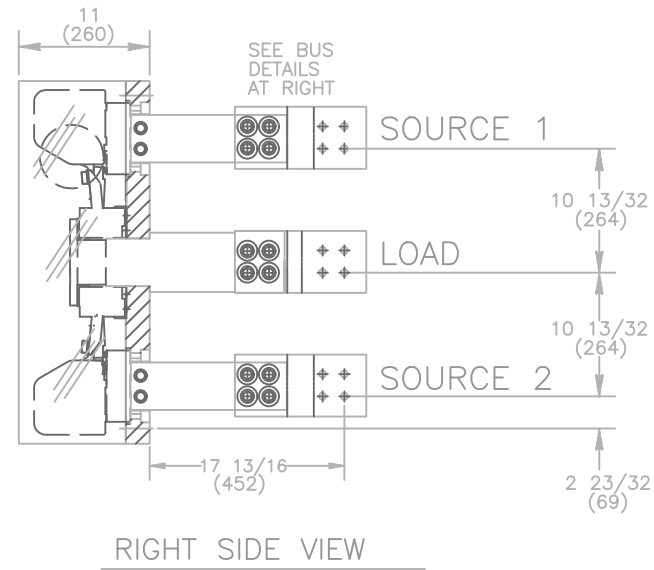
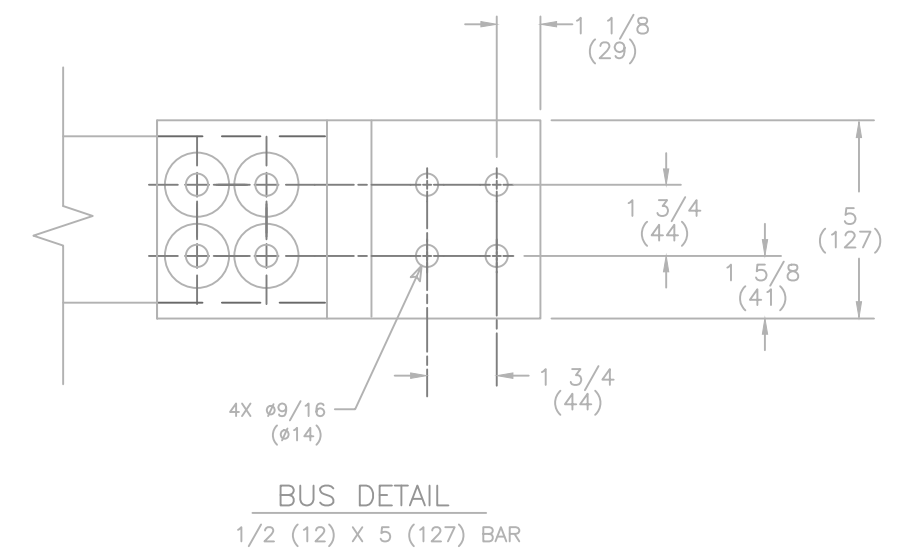


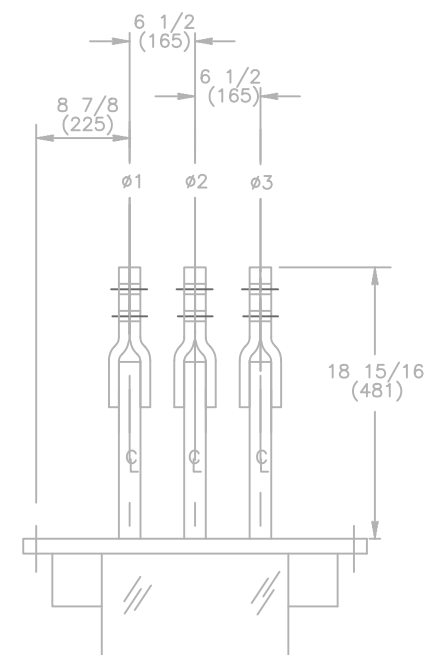
	A
2/3-POLE	30 3/4 (781)
4-POLE	37 1/4 (946)



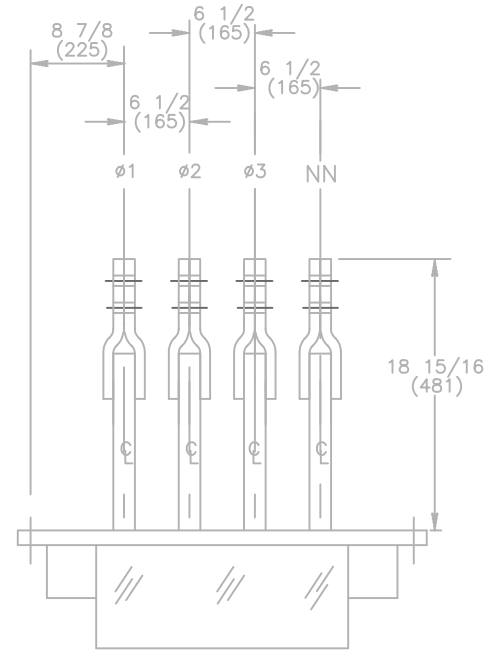
REVISIONS			
REV.	DESCRIPTION	DATE	APPROVED
1	CO76899 UPDATED REBRANDING	10/14/19	AR MAS



- NOTES:
- FOR 2-POLE SWITCHES, OMIT CENTER POLE.
 - OPEN TYPE SWITCH SUPPLIED WITH 6 FT. (1,8m) LONG HARNESS BETWEEN POWER AND CONTROL PANELS. HARNESS EXITS FROM LOWER RIGHT CORNER OF POWER PANEL.
 - DO NOT RUN CABLES IN FRONT OF SWITCH. RUN ALL CABLES ON RIGHT SIDE.
 - MAINTAIN ELECTRICAL CLEARANCE OF 1(25mm) MIN. BETWEEN LIVE METAL PARTS AND GROUNDED METAL.
 - ALL DIMENSIONS ARE FOR REFERENCE ONLY AND SHOWN IN INCHES(MILLIMETERS).
 - SEE "DOOR DETAIL" & "CONTROL PANEL" DIMENSIONS ON SHEET 3.



2/3-POLE SWITCH
BUS DETAILS (TOP VIEW)



4-POLE SWITCH
BUS DETAILS (TOP VIEW)

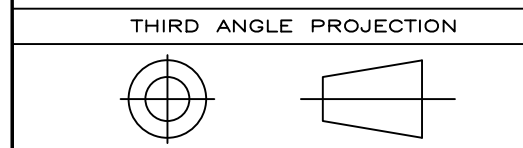


ABB PROPRIETARY AND CONFIDENTIAL INFORMATION
 The information contained in the document has to be kept strictly confidential.
 Any unauthorized use, reproduction, distribution or disclosure to third parties is strictly forbidden.
 ABB reserves all rights regarding intellectual Property Rights.
 Copyright 2018 ABB. All rights reserved.

AutoCad Generated

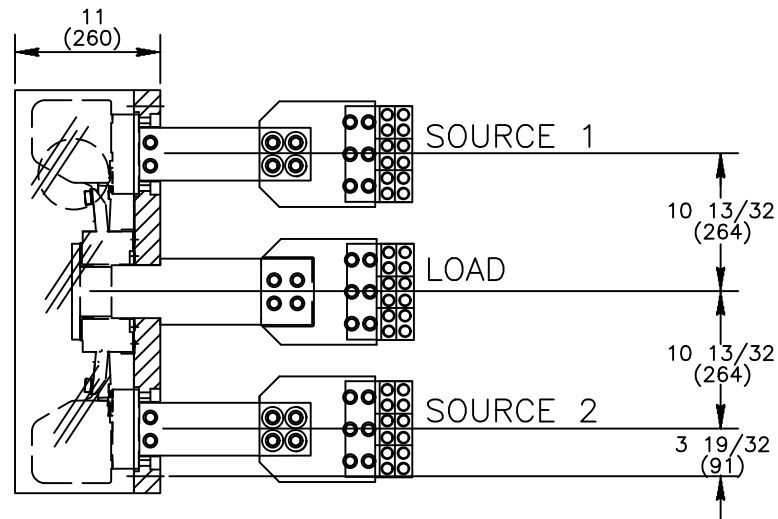
SIGNATURES	DATE
MODEL GG	02/22/08
DETAIL	
CHECKED	
ENGRG SK	02/22/08
MFG	
QUALITY	
ISSUED	
DRAWING FILE: 90C-2030.dwg	
MODEL / ASSEMBLY FILE: ZTE(D/CT) 4000 AMP	
# CTQs	⊖ CRITICAL TO QUALITY CHARACTERISTIC

ABB

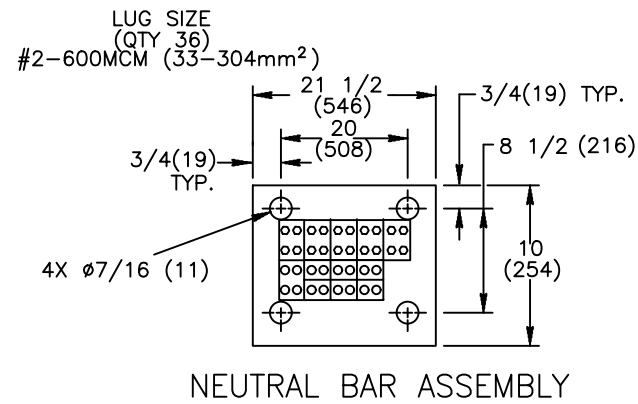
TITLE
 ZTE(D/CT) 4000A 2,3,4 POLE
 OPEN STYLE - REAR BUS

FIRST MADE FOR: ZTE(D/CT) 4000A 2,3,4 POLE

SIZE B	CAGE CODE	DWG NO 90C-2030
SCALE:	SHEET 1 OF 3	

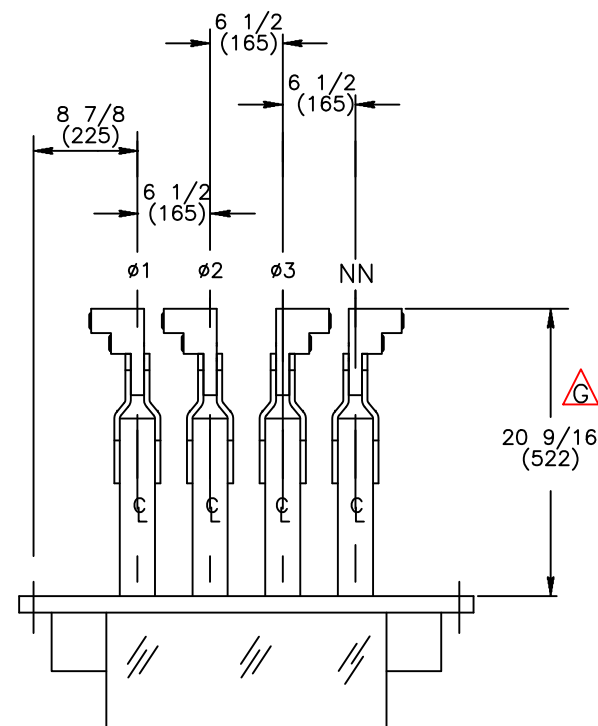
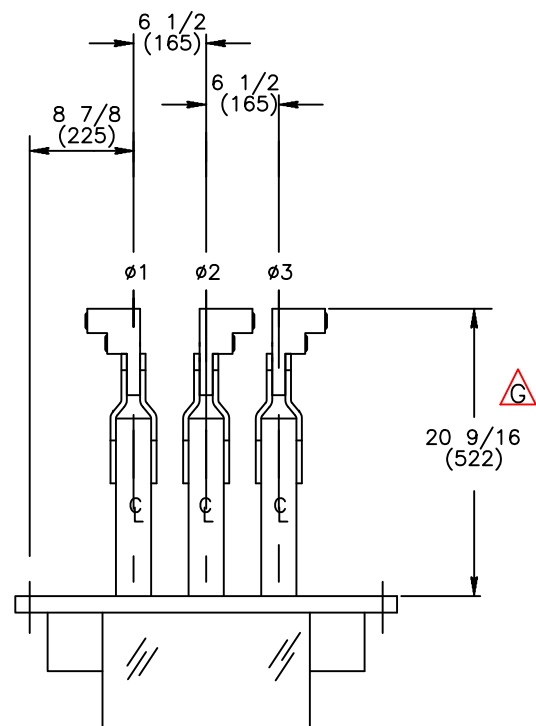


		LUG SIZE
4000A	(QTY 12)	#2- 600 MCM (33-304mm ²)
LUGS ARE SUPPLIED AS OPTIONAL ACCESSORIES ONLY		



NOTES:

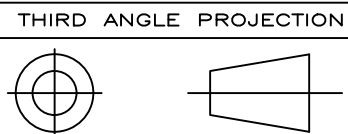
- FOR 2-POLE SWITCHES, OMIT CENTER POLE.
- OPEN TYPE SWITCH SUPPLIED WITH 6 FT. (1.8m) LONG HARNESS BETWEEN POWER AND CONTROL PANELS. HARNESS EXITS FROM LOWER RIGHT CORNER OF POWER PANEL.
- DO NOT RUN CABLES IN FRONT OF SWITCH. RUN ALL CABLES ON RIGHT SIDE.
- MAINTAIN ELECTRICAL CLEARANCE OF 1(25mm) MIN. BETWEEN LIVE METAL PARTS AND GROUNDED METAL.
- ALL DIMENSIONS ARE FOR REFERENCE ONLY AND SHOWN IN INCHES(MILLIMETERS).
- SEE "DOOR DETAIL" & "CONTROL PANEL" DIMENSIONS ON SHEET 3.



SIGNATURES		DATE
MODEL	GG	2/25/08
DETAIL		
CHECKED		
ENGRG	MAS	
MFG		
QUALITY		
ISSUED		
DRAWING FILE:		90C-2030.dwg
MODEL / ASSEMBLY FILE:		ZTE(D/CT) 4000 AMP
# CTQs	⊖	CRITICAL TO QUALITY CHARACTERISTIC

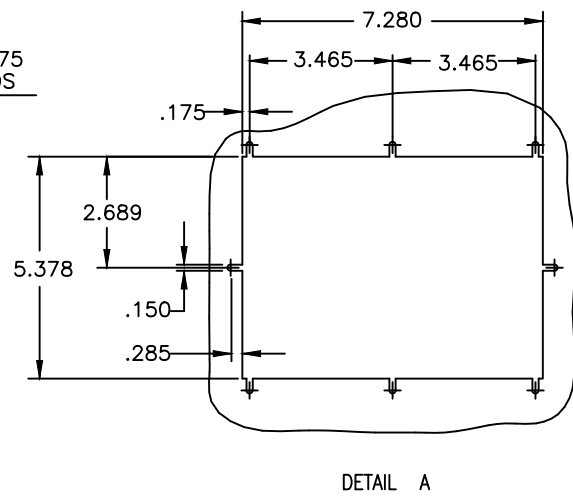
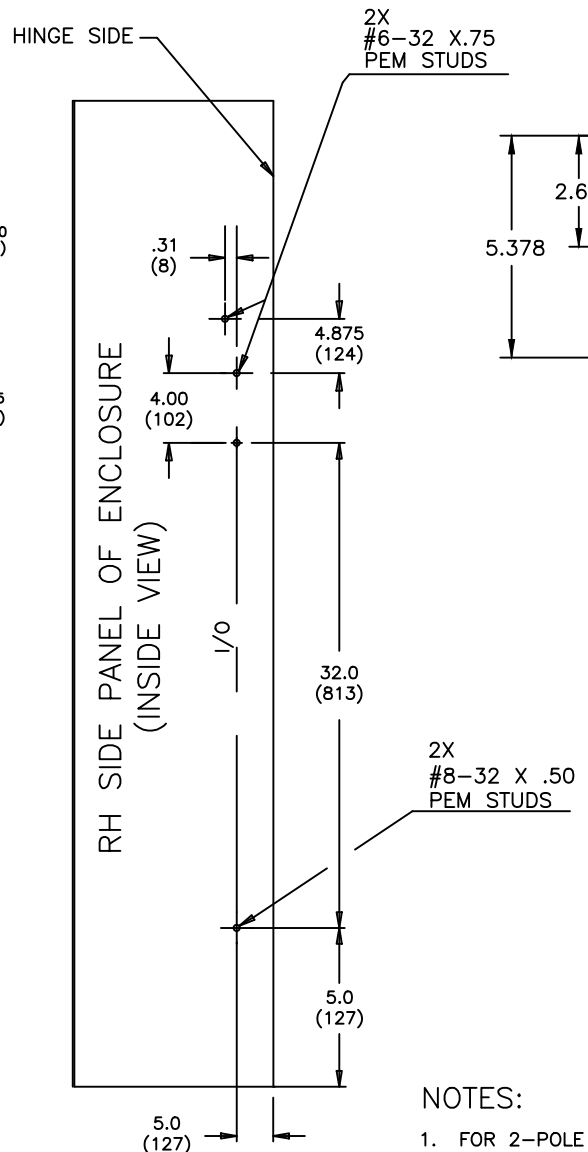
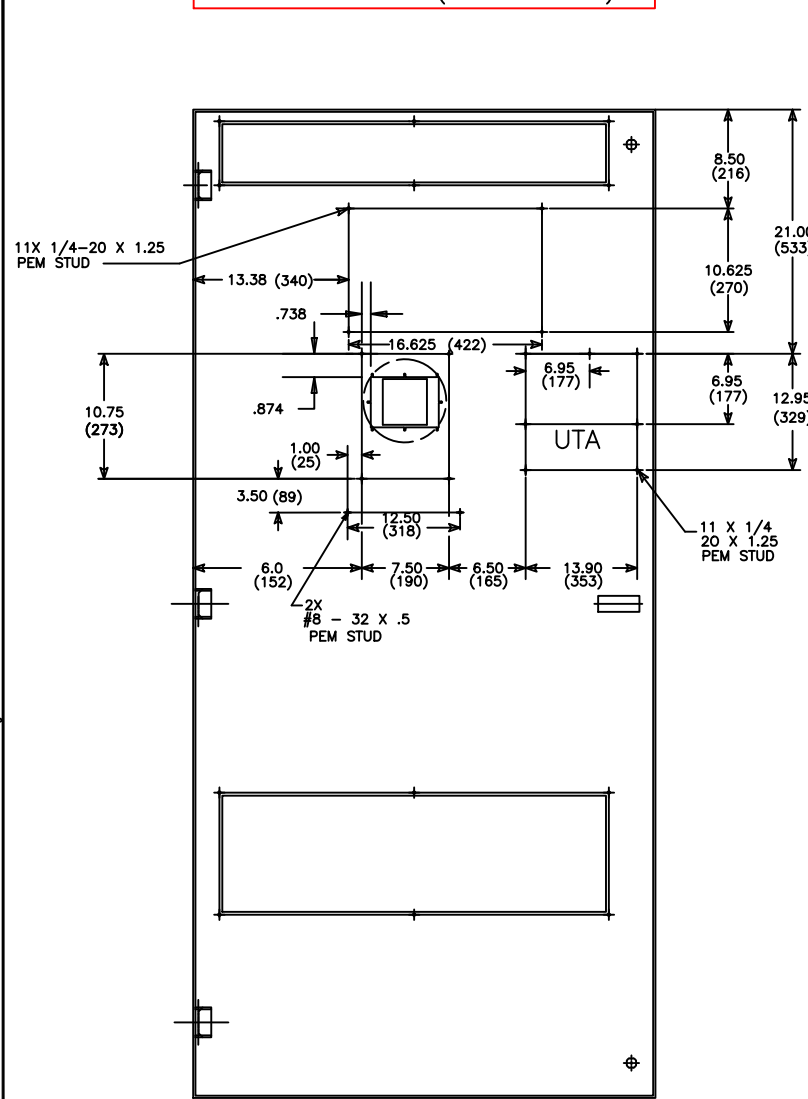
ABB		
TITLE		
ZTE(D/CT) 4000A 2,3,4 POLE OPEN STYLE - REAR LUGS		
FIRST MADE FOR: ZTE(D/CT) 4000A 2,3,4 POLE		
SIZE	CAGE CODE	DWG NO
B		90C-2030
SCALE:	-	SHEET 2 OF 3

ABB PROPRIETARY AND CONFIDENTIAL INFORMATION
The information contained in the document has to be kept strictly confidential. Any unauthorized use, reproduction, distribution or disclosure to third parties is strictly forbidden. ABB reserves all rights regarding intellectual Property Rights. Copyright 2018 ABB. All rights reserved

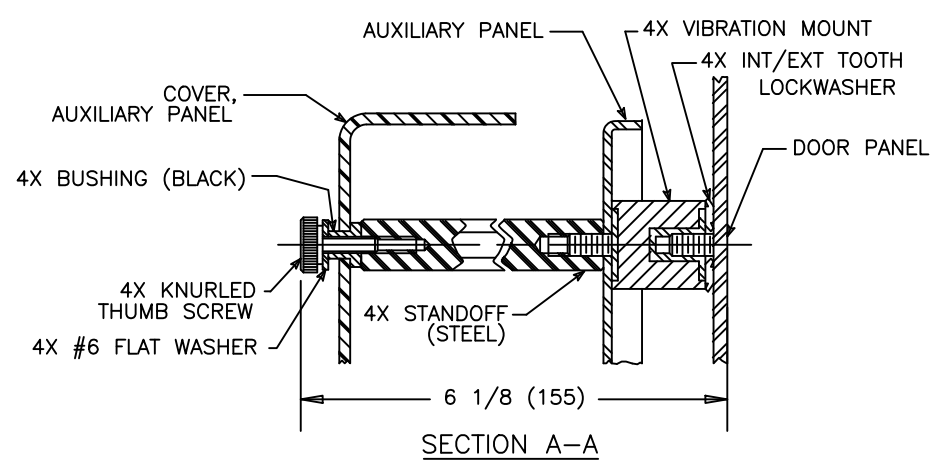
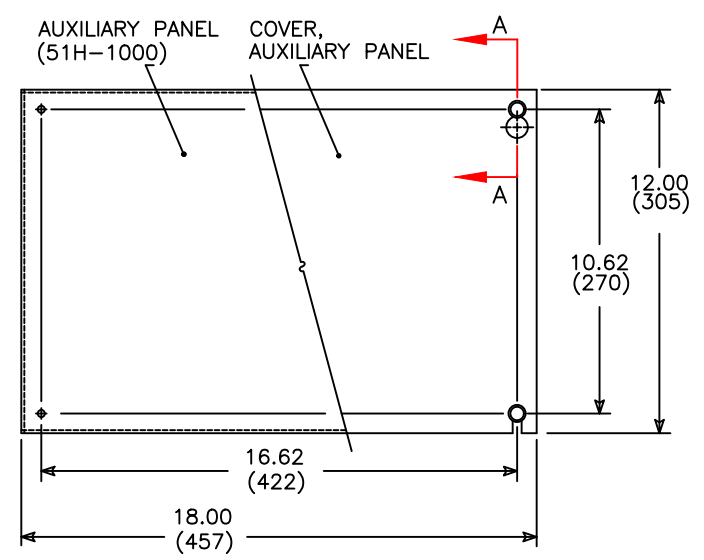


AutoCad Generated

DOOR DETAIL (INSIDE VIEW)



AUXILIARY CONTROL PANEL



- NOTES:**
1. FOR 2-POLE SWITCHES, OMIT CENTER POLE.
 2. OPEN TYPE SWITCH SUPPLIED WITH 6 FT. (1.8m) LONG HARNESS BETWEEN POWER AND CONTROL PANELS. HARNESS EXITS FROM LOWER RIGHT CORNER OF POWER PANEL.
 3. DO NOT RUN CABLES IN FRONT OF SWITCH. RUN ALL CABLES ON RIGHT SIDE.
 4. MAINTAIN ELECTRICAL CLEARANCE OF 1(25mm) MIN. BETWEEN LIVE METAL PARTS AND GROUNDED METAL.
 5. ALL DIMENSIONS ARE FOR REFERENCE ONLY AND SHOWN IN INCHES(MILLIMETERS).

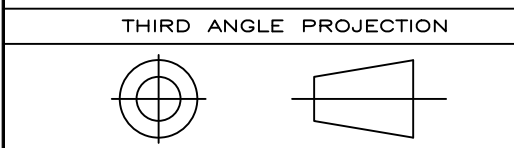


ABB PROPRIETARY AND CONFIDENTIAL INFORMATION
 The information contained in the document has to be kept strictly confidential. Any unauthorized use, reproduction, distribution or disclosure to third parties is strictly forbidden. ABB reserves all rights regarding intellectual Property Rights. Copyright 2018 ABB. All rights reserved.

AutoCad Generated

SIGNATURES		DATE
MODEL	GG	02/25/08
DETAIL		
CHECKED		
ENGRG	MAS	
MFG		
QUALITY		
ISSUED		
DRAWING FILE:	90C-2030.dwg	
MODEL / ASSEMBLY FILE:	ZTE(D/CT) 4000 AMP	
# CTQs	⊖ CRITICAL TO QUALITY CHARACTERISTIC	

ABB		
TITLE		
OPEN STYLE-DOOR LAYOUT		
FIRST MADE FOR:	ZTE(D/CT) 4000 A 2,3,4 POLE	
SIZE	CAGE CODE	DWG NO
B		90C-2030
SCALE:	-	SHEET 3 OF 3