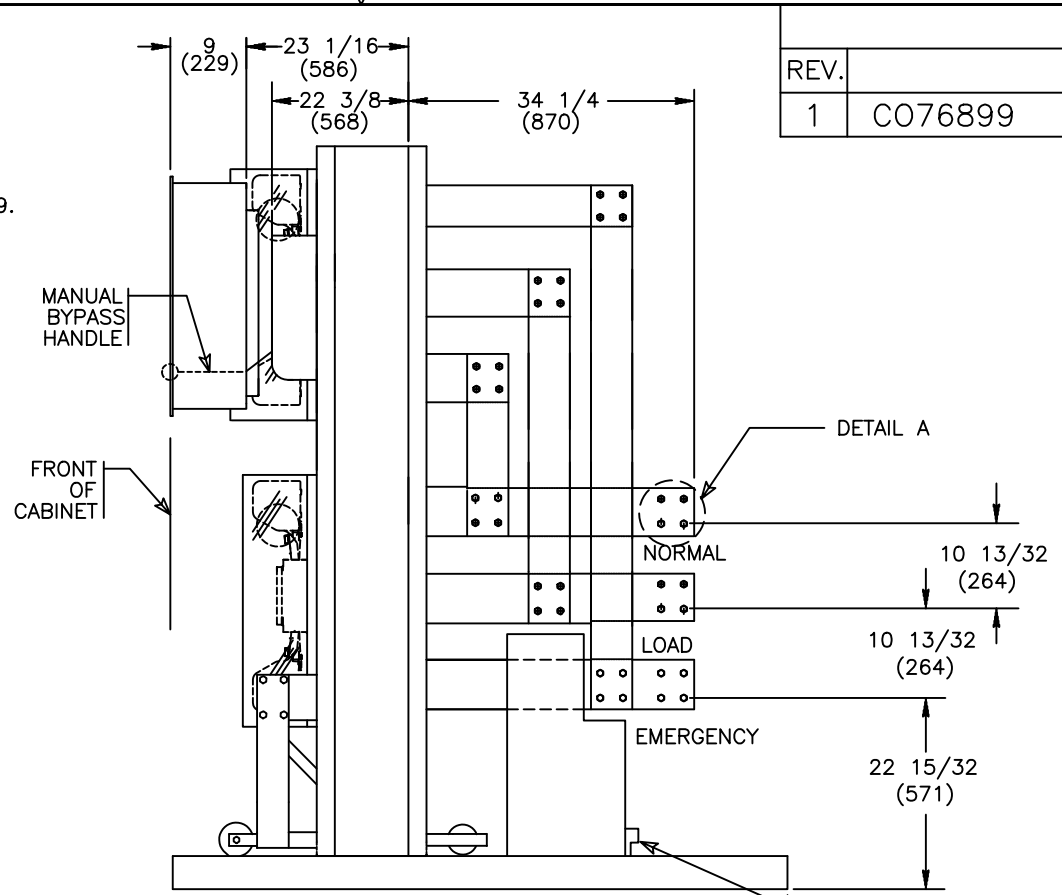
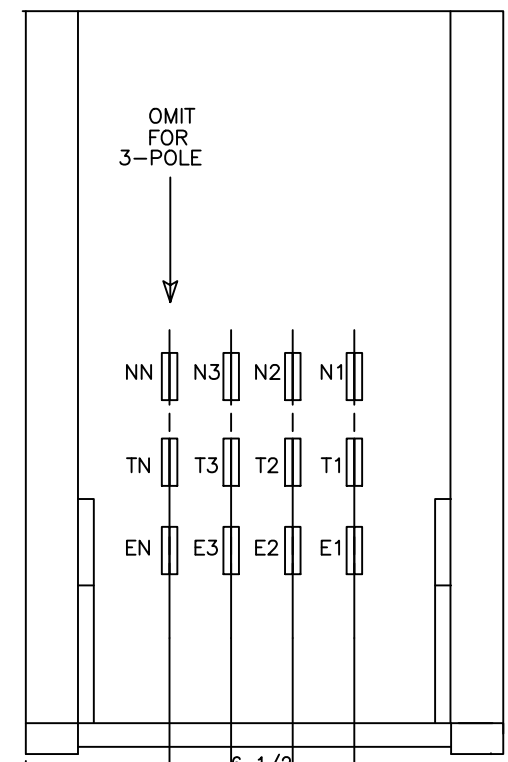


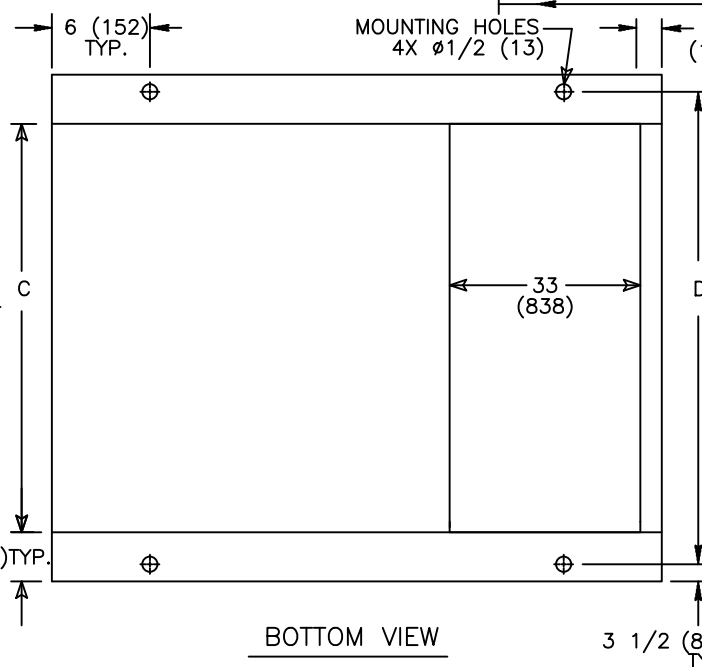
FRONT VIEW



RIGHT SIDE VIEW



REAR VIEW  
4-POLE SHOWN

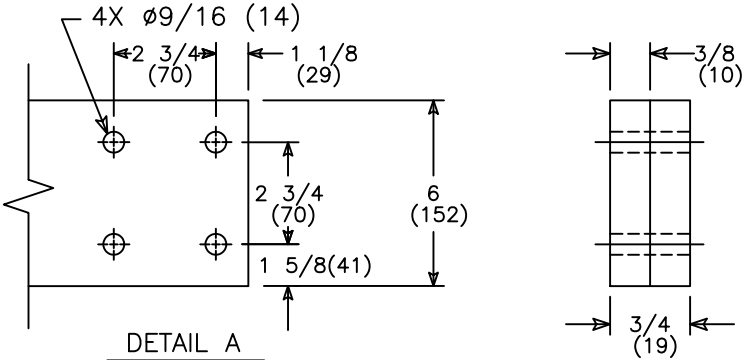


BOTTOM VIEW

NOTES:

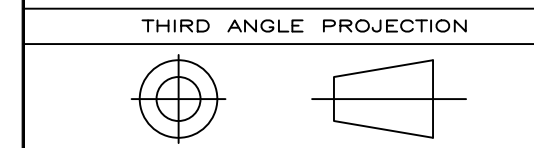
1. THE LOCATION OF THE WINDOW ENCLOSURE WITH RELATION TO THE DIMENSIONS OF THE OPEN STYLE BYPASS SWITCH ARE CRITICAL TO THE ALIGNMENT OF THE MANUAL BYPASS HANDLE.
2. SEE SHEET 3 FOR RECOMMENDED DOOR MODIFICATIONS AND CONTROL PANEL DIMENSIONS.
3. FOR 2-POLE SWITCHES, OMIT CENTER POLE ON 3-POLE SWITCH.
4. OPEN TYPE BYPASS SWITCH IS SUPPLIED WITH 6 FT. (1,8m) LONG HARNESS BETWEEN ATS POWER AND CONTROL PANELS. HARNESS EXITS FROM TOP RIGHT OF SWITCH FRAME.
5. RUN ALL CABLES IN REAR OF ENCLOSURE. NO CABLE ENTRY IN FRONT OF ENCLOSURE.
6. ATS DRAWS OUT TOWARD FRONT OF ENCLOSURE.
7. MAINTAIN ELECTRICAL CLEARANCE OF 1(25mm) MINIMUM BETWEEN LIVE METAL PARTS AND GROUNDED METAL.
8. CUSTOMERS CUBICLE MUST INCLUDE A TWO DOOR FRONT THE TOP DOOR (WHICH ALLOWS ACCESS TO THE BYPASS UNIT) CANNOT BE OPENED UNTIL BOTTOM DOOR IS OPENED.
9. ALL DIMENSIONS ARE FOR REFERENCE ONLY AND SHOWN IN INCHES(MILLIMETERS).

	B	C	D
2/3-POLES	47 1/2 (1206)	33 1/2 (851)	40 1/2 (1029)
4-POLES	54 (1372)	40 (1016)	47 (1194)




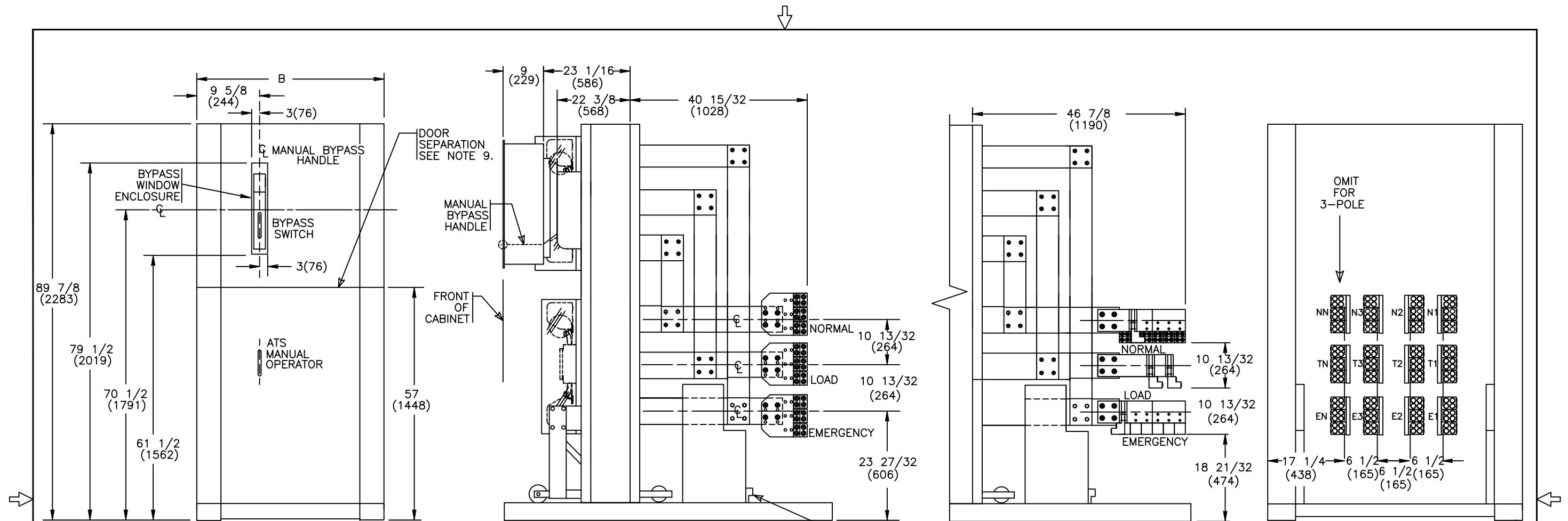
DETAIL A

REVISIONS			
REV.	DESCRIPTION	DATE	APPROVED
1	CO76899 UPDATED REBRANDING	10/14/19	AR MAS



**ABB PROPRIETARY AND CONFIDENTIAL INFORMATION**  
 The information contained in the document has to be kept strictly confidential. Any unauthorized use, reproduction, distribution or disclosure to third parties is strictly forbidden. ABB reserves all rights regarding intellectual Property Rights. Copyright 2018 ABB. All rights reserved.

SIGNATURES		DATE	 <b>ZBTS(D/CT) 4000 AMP          OPEN STYLE - REAR BUS</b>
MODEL	JP	02/29/08	
DETAIL			
CHECKED			
ENGRG	SB	02/29/08	
MFG			TITLE
QUALITY			FIRST MADE FOR: ZBTS(D/CT) 4000 AMP
ISSUED			SIZE CAGE CODE DWG NO
DRAWING FILE: 90c-2031.dwg	B		90C-2031
MODEL / ASSEMBLY FILE: ZBTS(D/CT) 4000 AMP			
AutoCad Generated	# CTQs	⊖ CRITICAL TO QUALITY CHARACTERISTIC	SCALE: N/A SHEET 1 OF 3



FRONT VIEW

RIGHT SIDE VIEW  
(REAR ENTRY)

RIGHT SIDE VIEW  
(TOP & BOTTOM ENTRY)  
SEE NOTE 10.

REAR VIEW  
4-POLE SHOWN  
(REAR ENTRY)

NOTES:

1. THE LOCATION OF THE WINDOW ENCLOSURE WITH RELATION TO THE DIMENSIONS OF THE OPEN STYLE BYPASS SWITCH ARE CRITICAL TO THE ALIGNMENT OF THE MANUAL BYPASS HANDLE.
2. SEE SHEET 3 FOR RECOMMENDED DOOR MODIFICATIONS AND CONTROL PANEL DIMENSIONS.
3. FOR 2-POLE SWITCHES, OMIT CENTER POLE ON 3-POLE SWITCH.
4. OPEN TYPE BYPASS SWITCH IS SUPPLIED WITH 6 FT. (1.8m) LONG HARNESS BETWEEN ATS POWER AND CONTROL PANELS. HARNESS EXITS FROM TOP RIGHT OF SWITCH FRAME.
5. RUN ALL CABLES IN REAR OF ENCLOSURE. NO CABLE ENTRY IN FRONT OF ENCLOSURE.
6. ATS DRAWS OUT TOWARD FRONT OF ENCLOSURE.
7. MAINTAIN ELECTRICAL CLEARANCE OF 1(25mm) MINIMUM BETWEEN LIVE METAL PARTS AND GROUNDED METAL.
8. CUSTOMERS CUBICLE MUST INCLUDE A TWO DOOR FRONT THE TOP DOOR (WHICH ALLOWS ACCESS TO THE BYPASS UNIT) CANNOT BE OPENED UNTIL BOTTOM DOOR IS OPENED.
9. LUGS MAY BE ORIENTED TO ACCEPT CABLING FROM TOP AS WELL AS BOTTOM ENTRY.
10. ALL DIMENSIONS ARE FOR REFERENCE ONLY AND SHOWN IN INCHES(MILLIMETERS).

	B	C	D
2/3-POLES	47 1/2 (1206)	33 1/2 (851)	40 1/2 (1029)
4-POLES	54 (1372)	40 (1016)	47 (1194)

BOTTOM VIEW



OPEN STYLE - REAR LUGS

SIGNATURES		DATE	TITLE	
MODEL	JP	02/29/08		
DETAIL				
CHECKED				
ENGRG	SB	02/29/08		
MFG				
QUALITY				
ISSUED				
DRAWING FILE: 90c-2031.dwg		FIRST MADE FOR: ZBTS(D/CT) 4000 AMP	SIZE	DWG NO
MODEL / ASSEMBLY FILE: ZBTS(D/CT) 4000 AMP		B	CAGE CODE	90C-2031
# CTQs	⊖ CRITICAL TO QUALITY CHARACTERISTIC	SCALE: N/A	SHEET 2 OF 3	

THIRD ANGLE PROJECTION

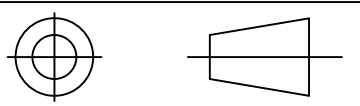
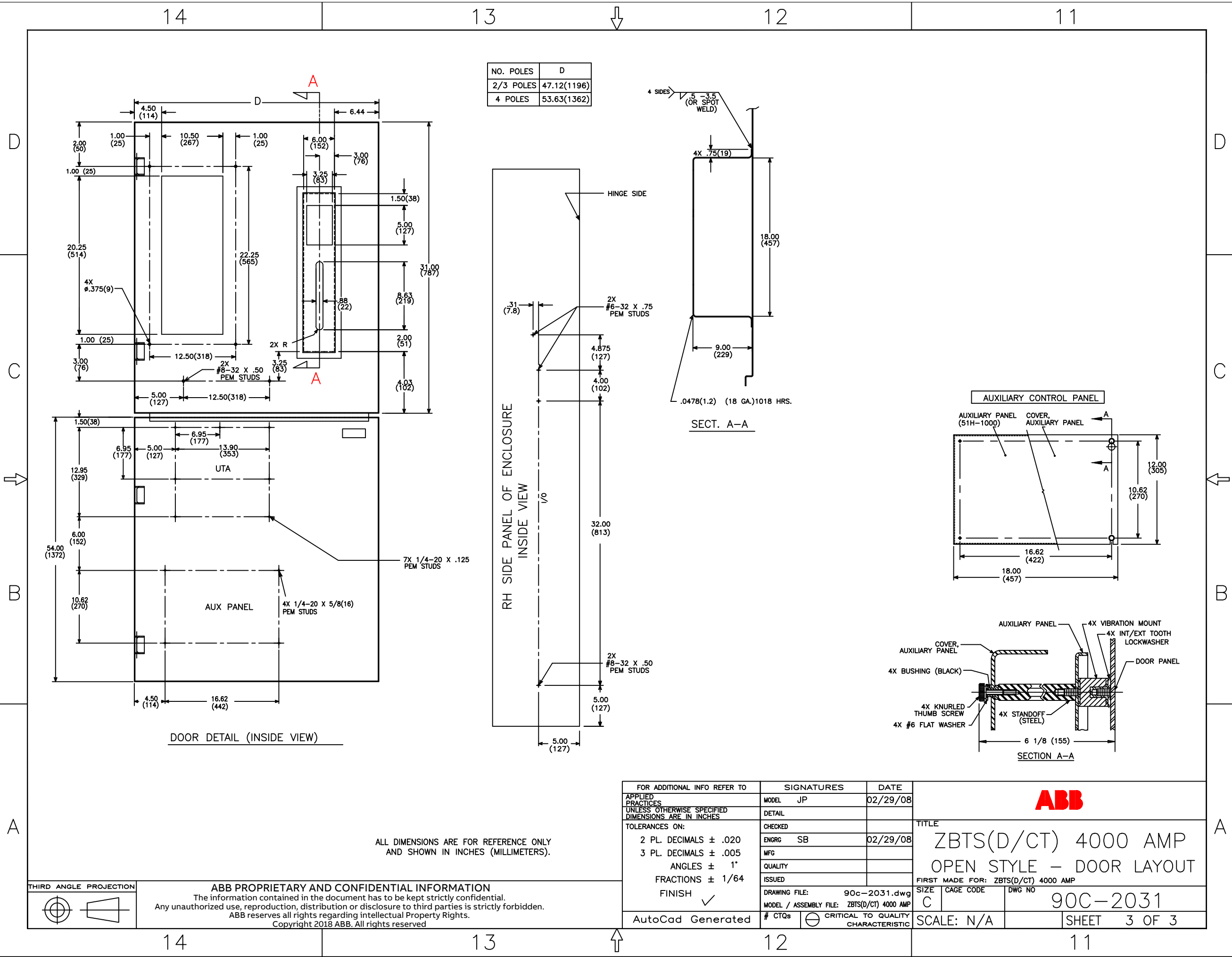


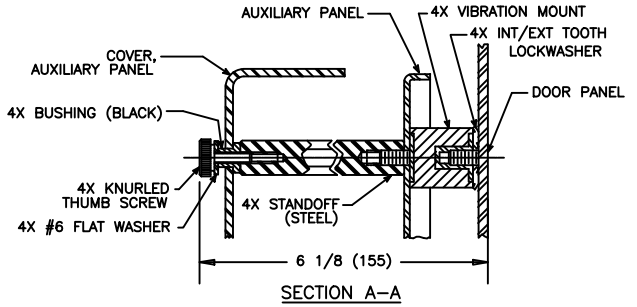
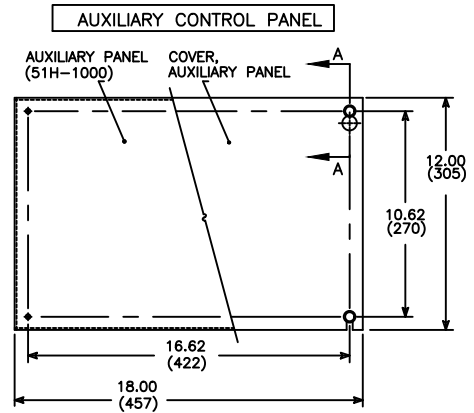
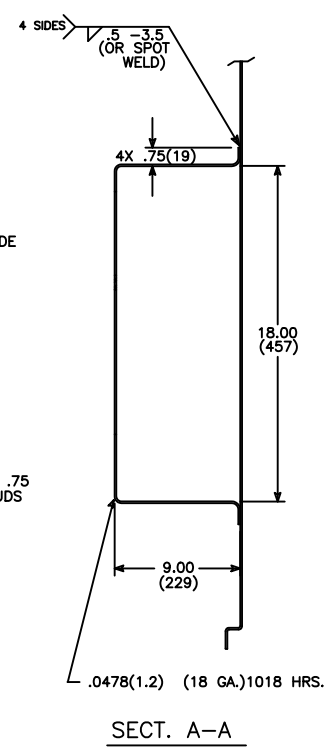
ABB PROPRIETARY AND CONFIDENTIAL INFORMATION

The information contained in the document has to be kept strictly confidential. Any unauthorized use, reproduction, distribution or disclosure to third parties is strictly forbidden. ABB reserves all rights regarding intellectual Property Rights. Copyright 2018 ABB. All rights reserved

AutoCad Generated



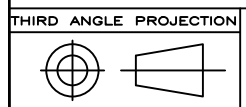
NO. POLES	D
2/3 POLES	47.12(1196)
4 POLES	53.63(1362)



ALL DIMENSIONS ARE FOR REFERENCE ONLY AND SHOWN IN INCHES (MILLIMETERS).

FOR ADDITIONAL INFO REFER TO	SIGNATURES	DATE
APPLIED PRACTICES	MODEL JP	02/29/08
UNLESS OTHERWISE SPECIFIED DIMENSIONS ARE IN INCHES	DETAIL	
TOLERANCES ON:	CHECKED	
2 PL. DECIMALS ± .020	ENGRG SB	02/29/08
3 PL. DECIMALS ± .005	MFG	
ANGLES ± 1°	QUALITY	
FRACTIONS ± 1/64	ISSUED	
FINISH ✓	DRAWING FILE: 90c-2031.dwg	
	MODEL / ASSEMBLY FILE: ZBTS(D/CT) 4000 AMP	
AutoCad Generated	# CTQs	CRITICAL TO QUALITY CHARACTERISTIC

ABB		
TITLE		
ZBTS(D/CT) 4000 AMP		
OPEN STYLE - DOOR LAYOUT		
FIRST MADE FOR: ZBTS(D/CT) 4000 AMP		
SIZE	CAGE CODE	DWG NO
C		90C-2031
SCALE: N/A		SHEET 3 OF 3



**ABB PROPRIETARY AND CONFIDENTIAL INFORMATION**  
 The information contained in the document has to be kept strictly confidential.  
 Any unauthorized use, reproduction, distribution or disclosure to third parties is strictly forbidden.  
 ABB reserves all rights regarding intellectual Property Rights.  
 Copyright 2018 ABB. All rights reserved