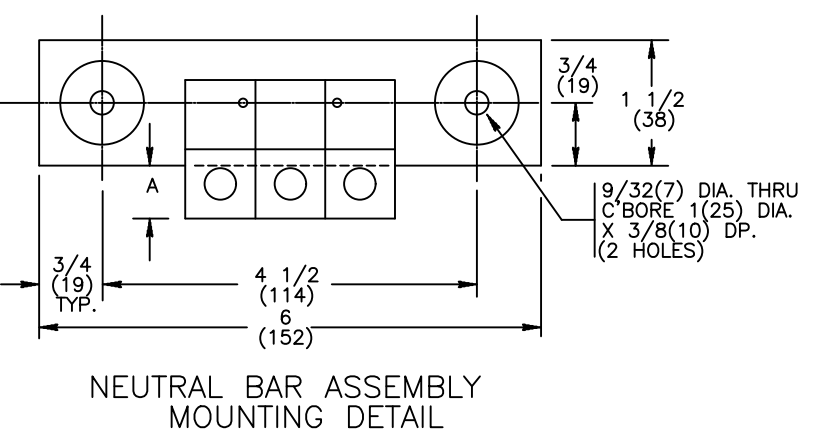
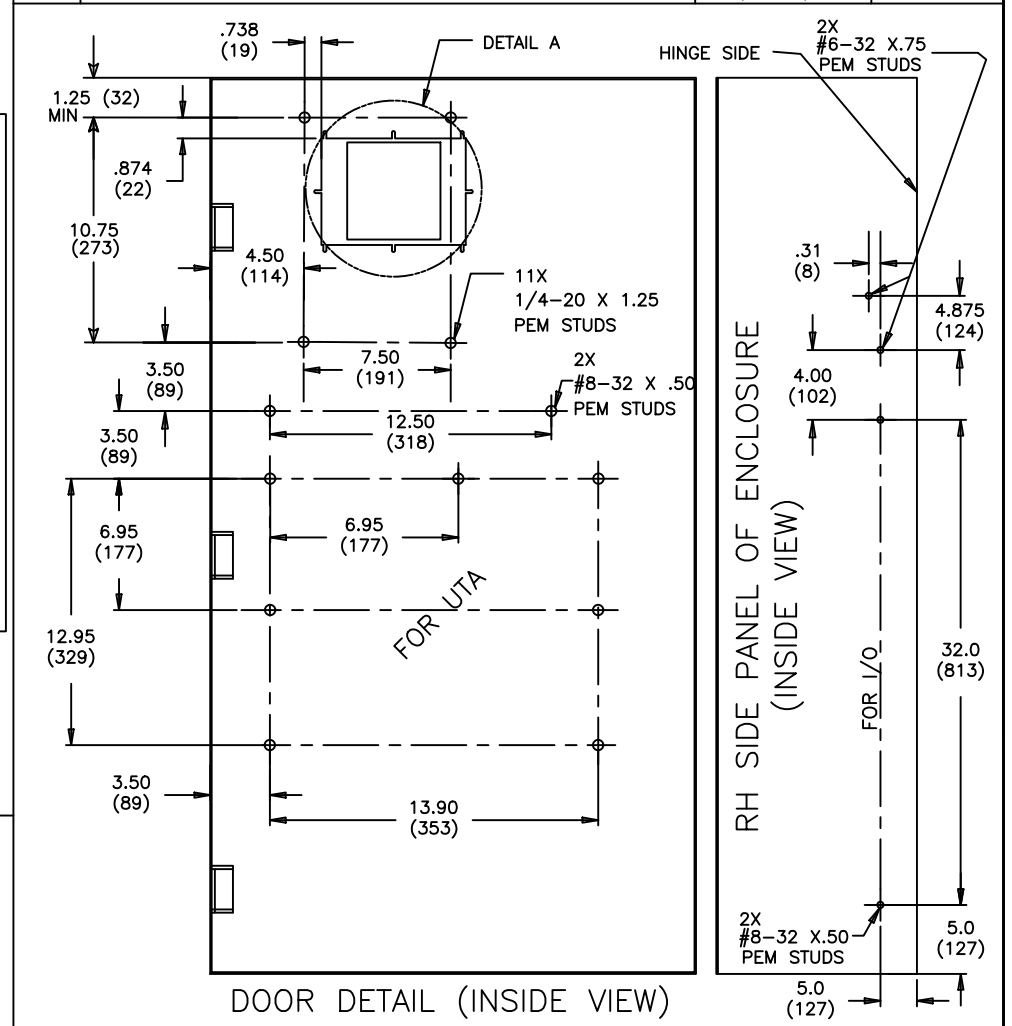


AMPS	QTY.	COPPER CABLE LUG SIZE
40-80	1	#14 TO 1/0 (2-53mm ²)
100-150	1	#8 TO 3/0 (8-85mm ²)

- NOTES:**
- 4-POLE SWITCH SHOWN. FOR 2 OR 3 POLE OMIT RIGHT HAND POLES AS SHOWN.
 - OPEN TYPE SWITCH SUPPLIED WITH 6 FT. (1.8m) LONG HARNESS BETWEEN POWER AND CONTROL PANELS. HARNESS EXITS FROM LOWER RIGHT CORNER OF POWER PANEL.
 - DO NOT RUN CABLES IN FRONT OF SWITCH. RUN ALL CABLES ON RIGHT SIDE.
 - MAINTAIN ELECTRICAL CLEARANCE OF 1" (25mm) MIN. BETWEEN LIVE METAL PARTS AND GROUNDED METAL.
 - ALL DIMENSIONS ARE FOR REFERENCE ONLY AND SHOWN IN INCHES(MILLIMETERS).

REVISIONS			
REV.	DESCRIPTION	DATE	APPROVED
1	C076899 UPDATED REBRANDING	09/11/19	AR MAS



	A	LUG	QTY.
40-80 AMP	-	#14-1/0 (2-53mm ²)	3
100-150 AMP	1 (25)	#6-350 MCM (13-177mm ²)	3

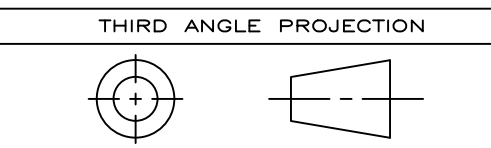
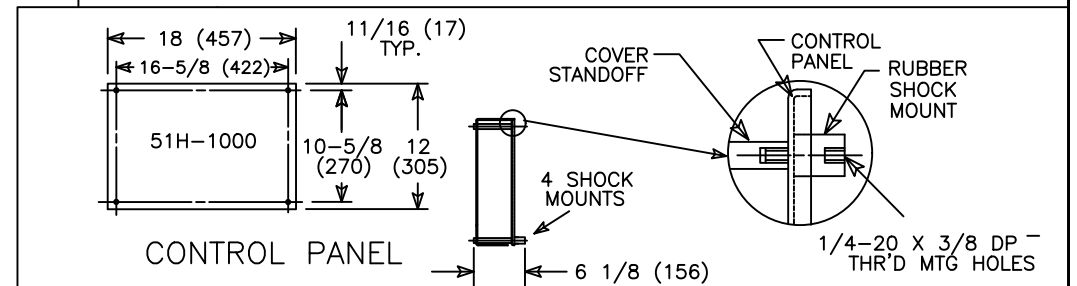
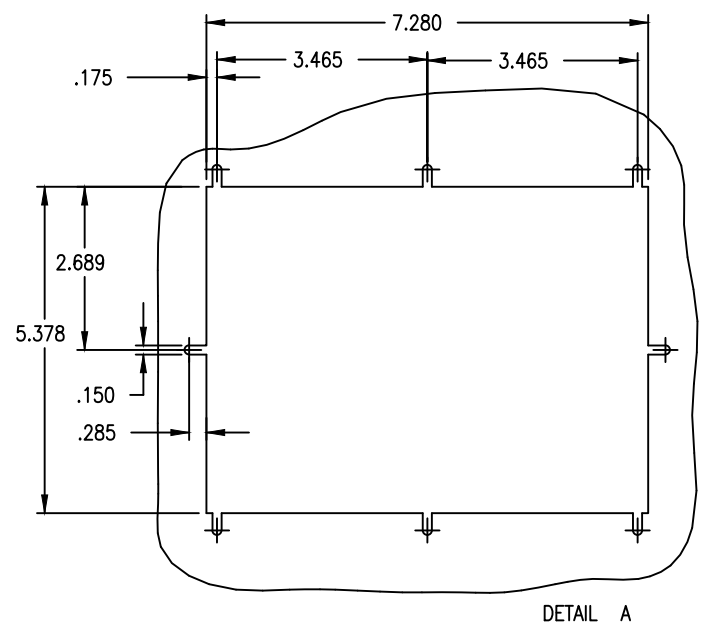


ABB PROPRIETARY AND CONFIDENTIAL INFORMATION
 The information contained in the document has to be kept strictly confidential. Any unauthorized use, reproduction, distribution or disclosure to third parties is strictly forbidden. ABB reserves all rights regarding intellectual Property Rights. Copyright 2018 ABB. All rights reserved.

AutoCad Generated

SIGNATURES	DATE
GG	02/14/08
DETAIL	
CHECKED	
ENGRG	
MFG	
QUALITY	
ISSUED	

TITLE		
ZTE(2/3) 40-150 AMP 2,3,4P OPEN STYLE SWITCH-FRONT LUGS		
FIRST MADE FOR:		
SIZE	CAGE CODE	DWG NO
B		90C-2032
# CTQs	CRITICAL TO QUALITY CHARACTERISTIC	SCALE:
		SHEET 1 OF 1

