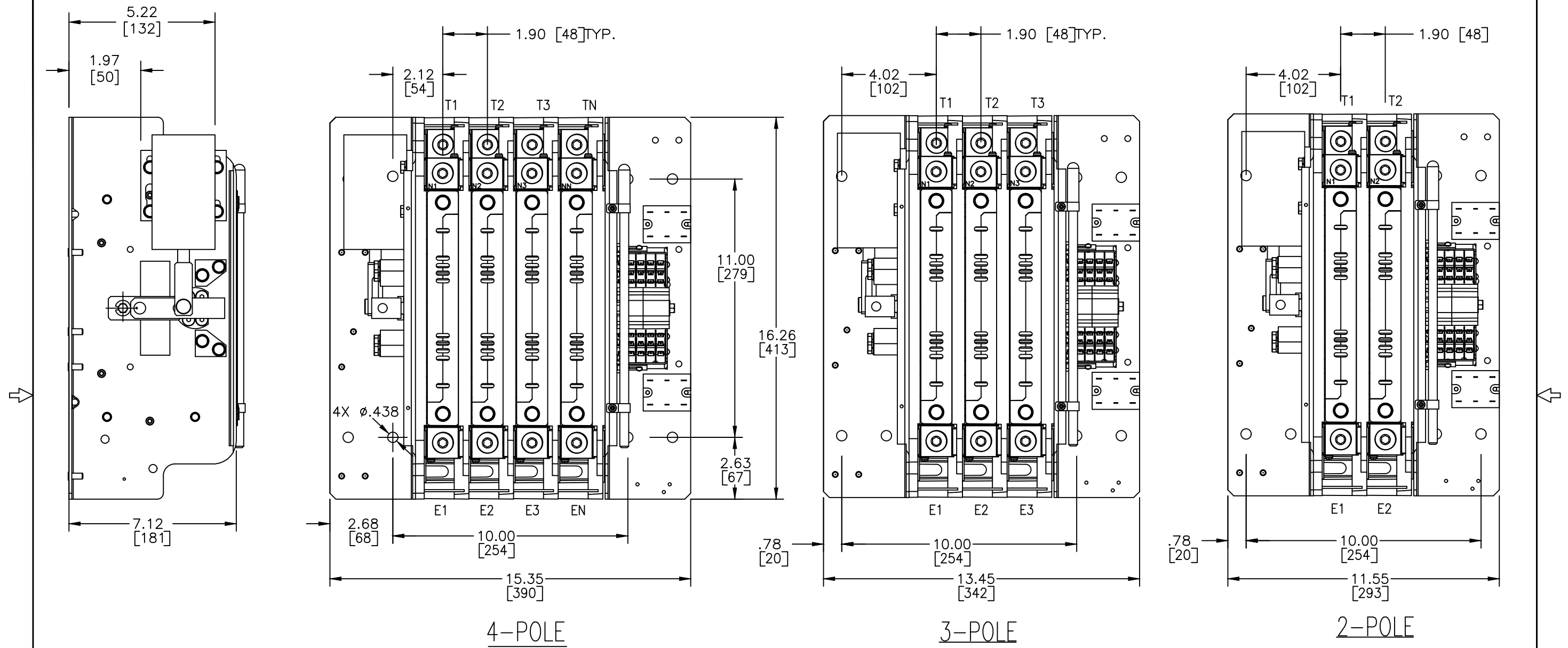


REVISIONS			
REV.	DESCRIPTION	DATE	APPROVED
1	C076899	10/14/19	AR YP

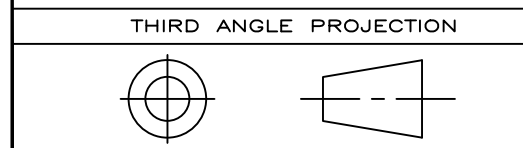


- NOTES:**
- DO NOT RUN CABLES IN FRONT OF SWITCH. RUN ALL CABLES ON THE RIGHT SIDE.
  - MAINTAIN ELECTRICAL CLEARANCE OF 1" (25mm) MIN. BETWEEN LIVE METAL PARTS AND GROUNDED METAL.
  - ALL DIMENSIONS ARE FOR REFERENCE ONLY AND ARE SHOWN IN INCHES(MILLIMETERS).

LUG SIZE	
225 TO 400A (QTY 1)	#4- 600 MCM (33-304mm <sup>2</sup> )

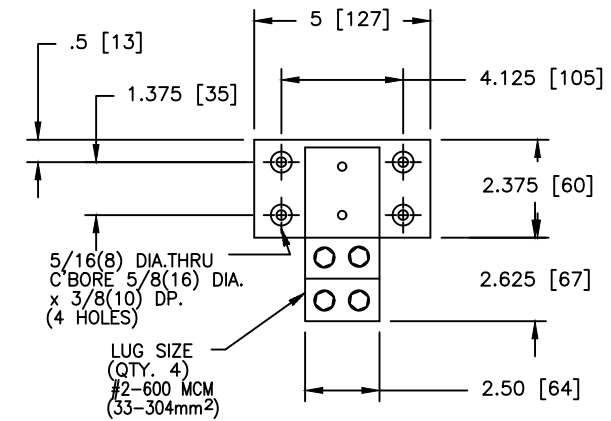
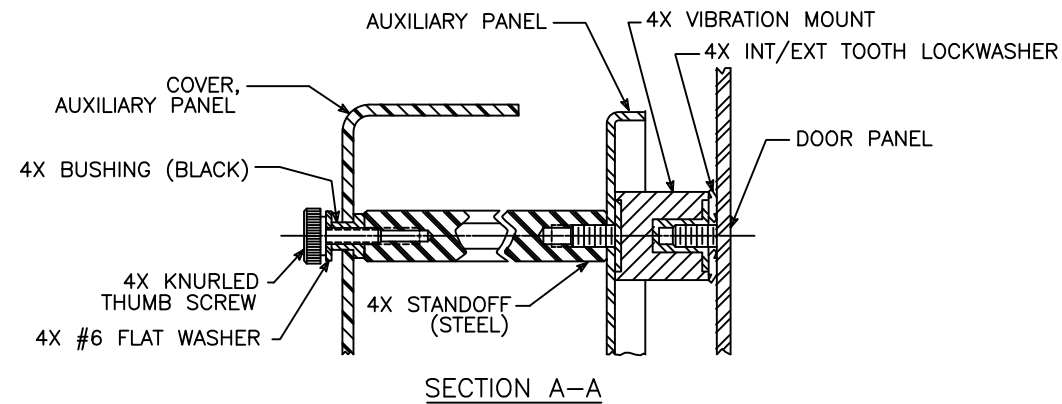
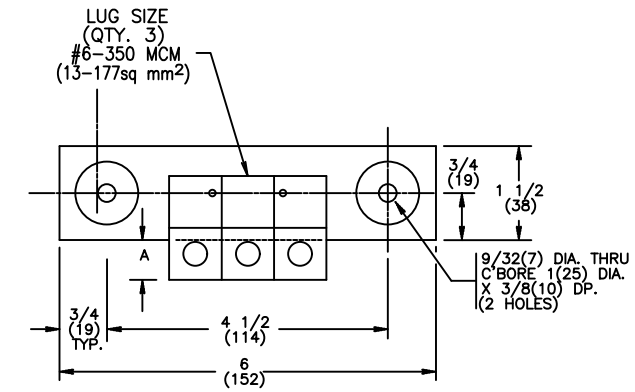
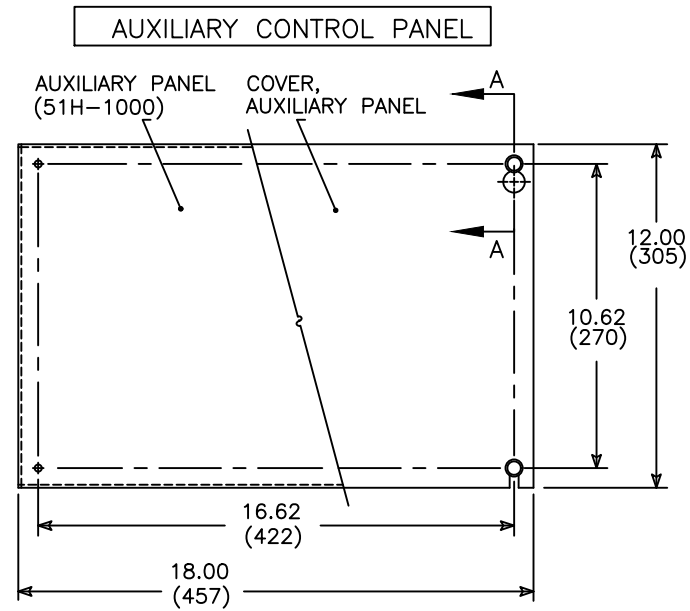
SIGNATURES	DATE
MODEL GG	02/21/08
DETAIL	
CHECKED	
ENGRG MF	
MFG	
QUALITY	
ISSUED	
DRAWING FILE: 90c-2033.dwg	
MODEL / ASSEMBLY FILE: ZTE4 225-400 AMP	
# CTQs	CRITICAL TO QUALITY CHARACTERISTIC

<b>ABB</b>		
TITLE ZTE4 225-400 AMP OPEN STYLE SWITCH		
FIRST MADE FOR: ZTE4 225-400 AMP	SIZE B	DWG NO 90C-2033
CAGE CODE	SCALE: N/A	
SHEET		1 OF 3



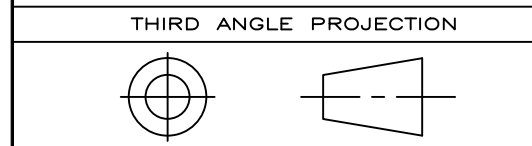
**ABB PROPRIETARY AND CONFIDENTIAL INFORMATION**  
 The information contained in the document has to be kept strictly confidential. Any unauthorized use, reproduction, distribution or disclosure to third parties is strictly forbidden. ABB reserves all rights regarding intellectual Property Rights. Copyright 2018 ABB. All rights reserved.

AutoCad Generated



**NOTES:**

- DO NOT RUN CABLES IN FRONT OF SWITCH. RUN ALL CABLES ON THE RIGHT SIDE.
- MAINTAIN ELECTRICAL CLEARANCE OF 1" (25mm) MIN. BETWEEN LIVE METAL PARTS AND GROUNDED METAL.
- ALL DIMENSIONS ARE FOR REFERENCE ONLY AND ARE SHOWN IN INCHES(MILLIMETERS).



**ABB PROPRIETARY AND CONFIDENTIAL INFORMATION**

The information contained in the document has to be kept strictly confidential. Any unauthorized use, reproduction, distribution or disclosure to third parties is strictly forbidden. ABB reserves all rights regarding intellectual Property Rights. Copyright 2018 ABB. All rights reserved.

AutoCad Generated

SIGNATURES		DATE
MODEL	GG	02/19/08
DETAIL		
CHECKED		
ENGRG	MF	
MFG		
QUALITY		
ISSUED		
DRAWING FILE: 90c-2033.dwg		FIRST MADE FOR: ZTE4 225-400 AMP
MODEL / ASSEMBLY FILE: ZTE4 225-400 AMP		SIZE CAGE CODE DWG NO
# CTQs	⊖ CRITICAL TO QUALITY CHARACTERISTIC	B

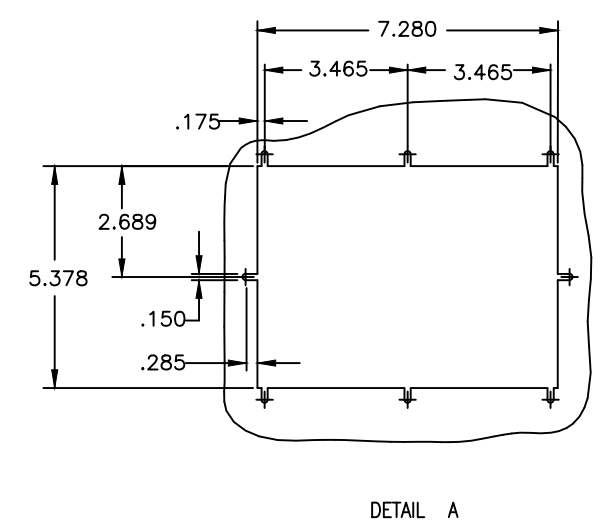
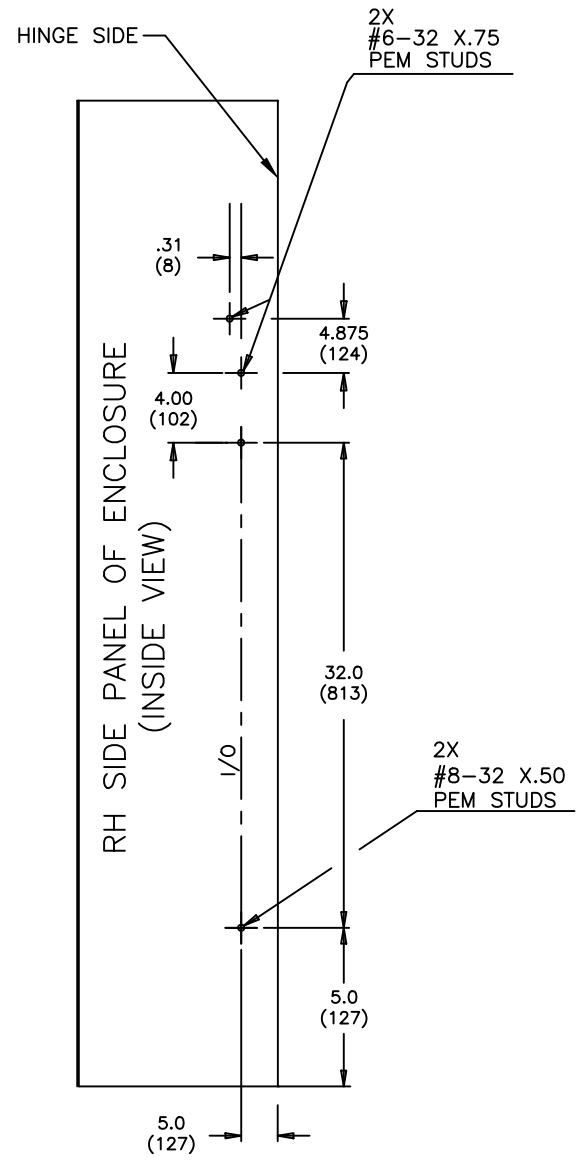
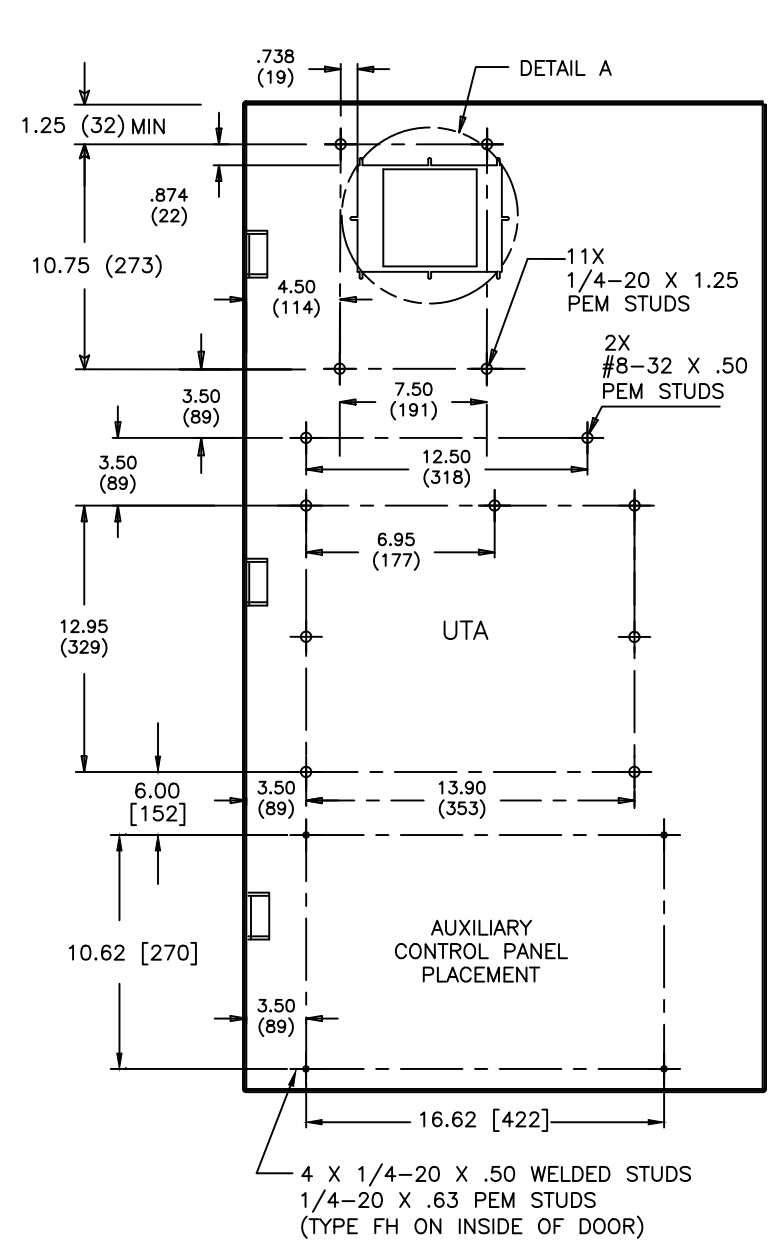
**ABB**

TITLE  
**ZTE4 225-400 AMP  
OPEN STYLE SWITCH**

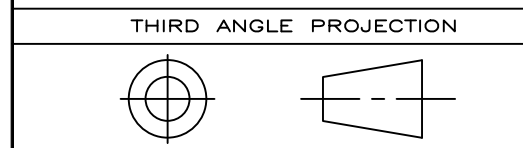
90C-2033

SCALE: N/A SHEET 2 OF 3


DOOR DETAIL (INSIDE VIEW)



- NOTES:
- DO NOT RUN CABLES IN FRONT OF SWITCH. RUN ALL CABLES ON THE RIGHT SIDE.
  - MAINTAIN ELECTRICAL CLEARANCE OF 1" (25mm) MIN. BETWEEN LIVE METAL PARTS AND GROUNDED METAL.
  - ALL DIMENSIONS ARE FOR REFERENCE ONLY AND ARE SHOWN IN INCHES(MILLIMETERS).



**ABB PROPRIETARY AND CONFIDENTIAL INFORMATION**  
 The information contained in the document has to be kept strictly confidential. Any unauthorized use, reproduction, distribution or disclosure to third parties is strictly forbidden. ABB reserves all rights regarding intellectual Property Rights. Copyright 2018 ABB. All rights reserved

SIGNATURES		DATE		 TITLE <b>ZTE4 225-400 AMP                  OPEN STYLE - DOOR LAYOUT</b>	
MODEL	GG	02/19/08			
DETAIL					
CHECKED					
ENGRG	MF				
MFG					
QUALITY				FIRST MADE FOR: ZTE4 225-400 AMP	
ISSUED		SIZE	CAGE CODE	DWG NO	
DRAWING FILE:	90c-2033.dwg	B		90C-2033	
MODEL / ASSEMBLY FILE:	ZTE4 225-400 AMP				
# CTQs	⊖ CRITICAL TO QUALITY CHARACTERISTIC	SCALE:	N/A	SHEET	3 OF 3

AutoCad Generated