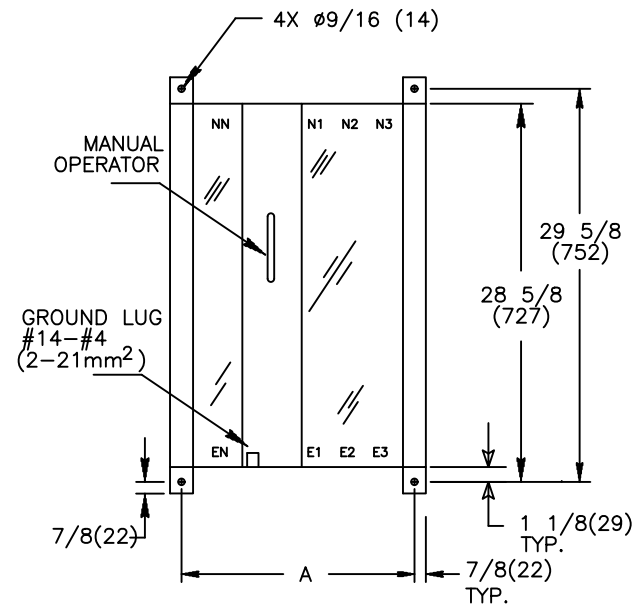
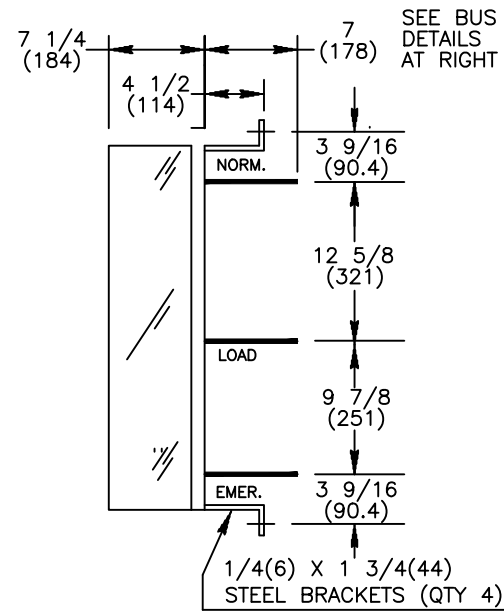


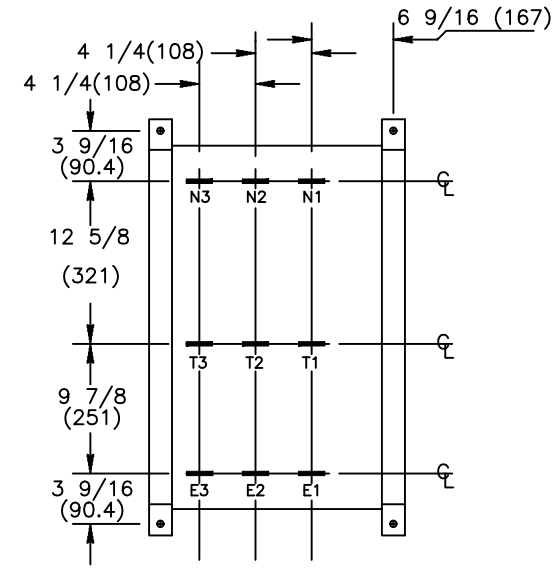
	A
2/3-POLE	17 5/8 (448)
4-POLE	23 3/8 (594)



FRONT VIEW

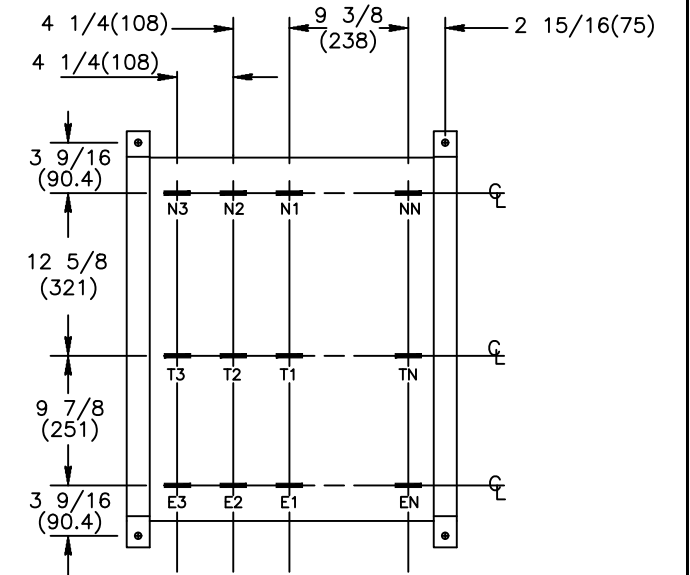


RIGHT SIDE VIEW



2/3-POLE SWITCH

BUS DETAILS (REAR VIEW)

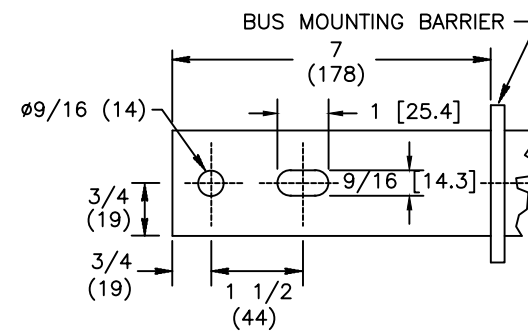


4-POLE SWITCH

BUS DETAILS (REAR VIEW)

NOTES:

- FOR 2-POLE SWITCHES, OMIT CENTER POLE.
- OPEN TYPE SWITCH SUPPLIED WITH 6 FT. (1.8m) LONG HARNESS BETWEEN POWER AND CONTROL PANELS. HARNESS EXITS FROM LOWER RIGHT CORNER OF POWER PANEL.
- DO NOT RUN CABLES IN FRONT OF SWITCH. RUN ALL CABLES ON RIGHT SIDE.
- MAINTAIN ELECTRICAL CLEARANCE OF 1(25mm) MIN. BETWEEN LIVE METAL PARTS AND GROUNDED METAL.
- DIMENSIONS FOR 3-POLE AND 4-POLE SWITCHES ARE IDENTICAL EXCEPT AS NOTED.
- ALL DIMENSIONS ARE FOR REFERENCE ONLY AND SHOWN IN INCHES(MILLIMETERS).
- SEE "DOOR DETAIL" & "CONTROL PANEL" DIMENSIONS ON SHEET 3.



BUS DETAIL

3/8(10) X 1 1/2(38) BAR

SIGNATURES		DATE		ABB	
MODEL GG		02/19/08			
DETAIL				TITLE	
CHECKED MF				ZTE2 600-800A 2,3,4 POLE	
ENGRG				OPEN STYLE REAR BUS	
MFG				FIRST MADE FOR: ZTE2 600-800 AMP 2, 3, & 4 POLE	
QUALITY				SIZE CAGE CODE DWG NO	
ISSUED				B	
DRAWING FILE: 90c-2034.dwg		MODEL / ASSEMBLY FILE: ZTE2 600-800 AMP 2, 3, & 4 POLE		90C-2034	
# CTQs		CRITICAL TO QUALITY CHARACTERISTIC		SCALE: N/A	
AutoCad Generated				SHEET 2 OF 3	

THIRD ANGLE PROJECTION

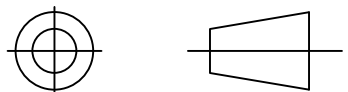
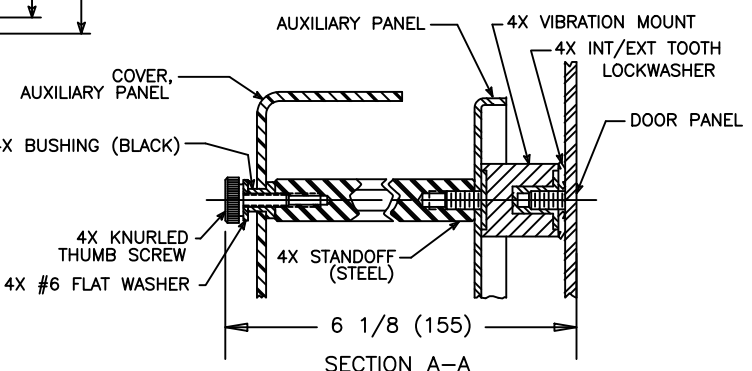
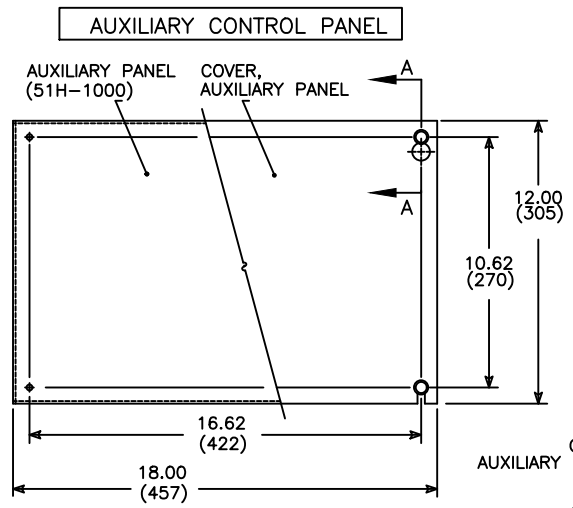
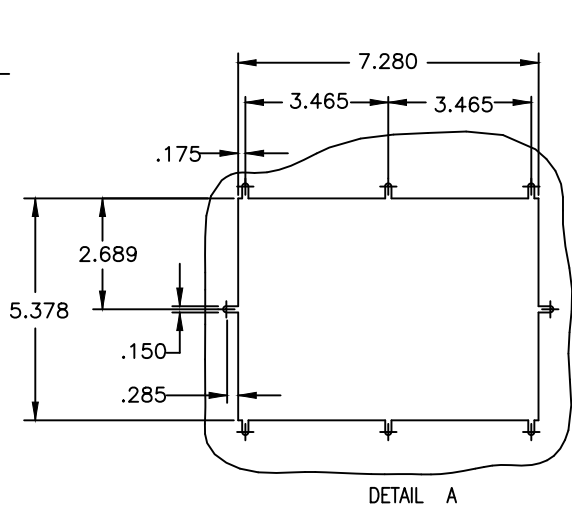
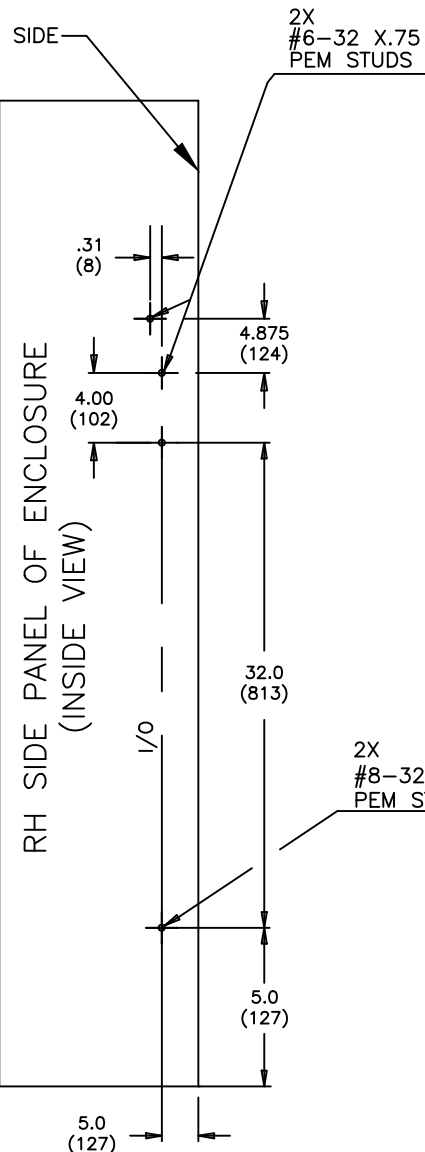
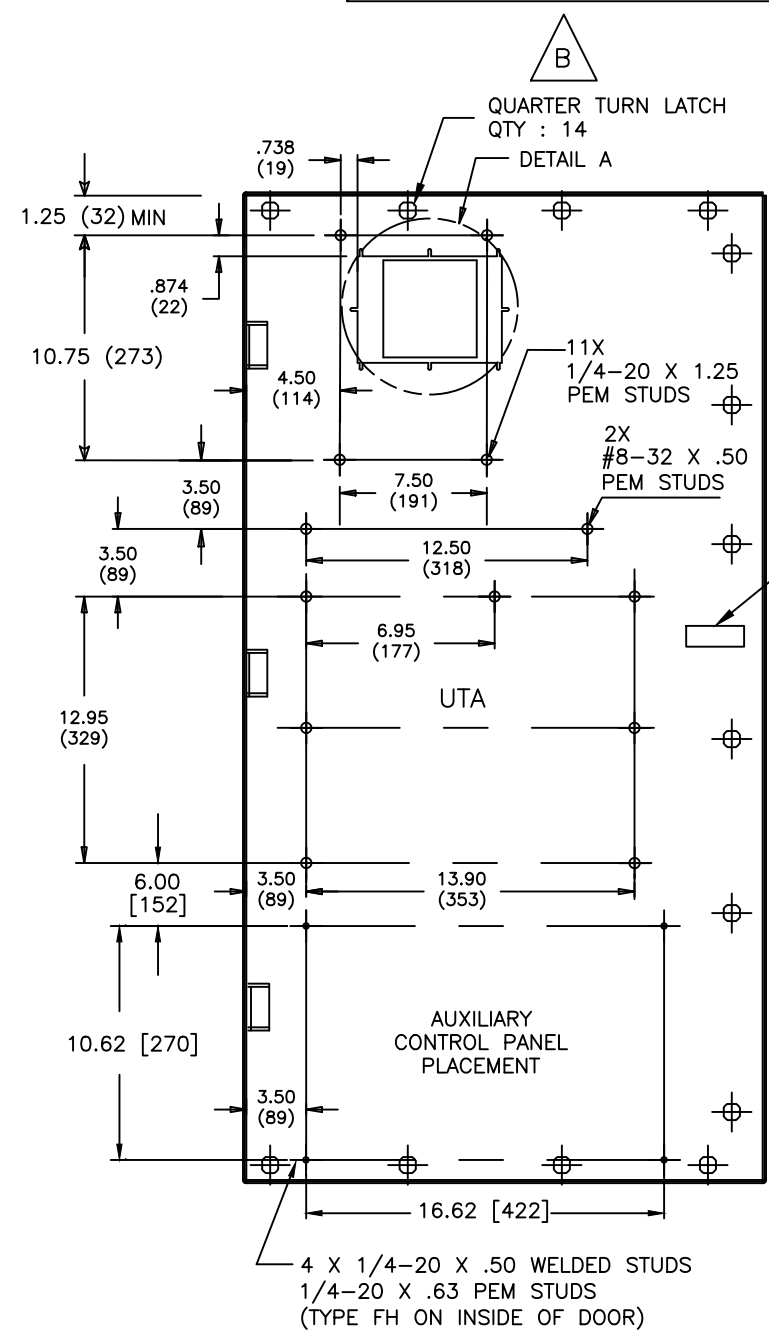


ABB PROPRIETARY AND CONFIDENTIAL INFORMATION

The information contained in the document has to be kept strictly confidential. Any unauthorized use, reproduction, distribution or disclosure to third parties is strictly forbidden. ABB reserves all rights regarding intellectual Property Rights. Copyright 2018 ABB. All rights reserved



DOOR DETAIL (INSIDE VIEW)



- NOTES:
1. FOR 2-POLE SWITCHES, OMIT CENTER POLE.
 2. OPEN TYPE SWITCH SUPPLIED WITH 6 FT. (1.8m) LONG HARNESS BETWEEN POWER AND CONTROL PANELS. HARNESS EXITS FROM LOWER RIGHT CORNER OF POWER PANEL.
 3. DO NOT RUN CABLES IN FRONT OF SWITCH. RUN ALL CABLES ON RIGHT SIDE.
 4. MAINTAIN ELECTRICAL CLEARANCE OF 1(25mm) MIN. BETWEEN LIVE METAL PARTS AND GROUNDED METAL.
 5. DIMENSIONS FOR 3-POLE AND 4-POLE SWITCHES ARE IDENTICAL EXCEPT AS NOTED.
 6. ALL DIMENSIONS ARE FOR REFERENCE ONLY AND SHOWN IN INCHES(MILLIMETERS).
 7. SEE "DOOR DETAIL" & "CONTROL PANEL" DIMENSIONS ON SHEET 3.



OPEN STYLE DOOR LAYOUT

SIGNATURES		DATE
MODEL	GG	02/19/08
DETAIL		
CHECKED		
ENGRG	MF	
MFG		
QUALITY		
ISSUED		
DRAWING FILE: 90c-2034.dwg		FIRST MADE FOR: ZTE2 600-800 AMP 2, 3, & 4 POLE
MODEL / ASSEMBLY FILE: ZTE2 600-800 AMP 2, 3, & 4 POLES	SIZE B	CAGE CODE DWG NO
# CTQs	⊖ CRITICAL TO QUALITY CHARACTERISTIC	90C-2034

SCALE: N/A	SHEET 3 OF 3
------------	--------------

THIRD ANGLE PROJECTION

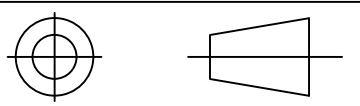


ABB PROPRIETARY AND CONFIDENTIAL INFORMATION
 The information contained in the document has to be kept strictly confidential.
 Any unauthorized use, reproduction, distribution or disclosure to third parties is strictly forbidden.
 ABB reserves all rights regarding intellectual Property Rights.
 Copyright 2018 ABB. All rights reserved

AutoCad Generated