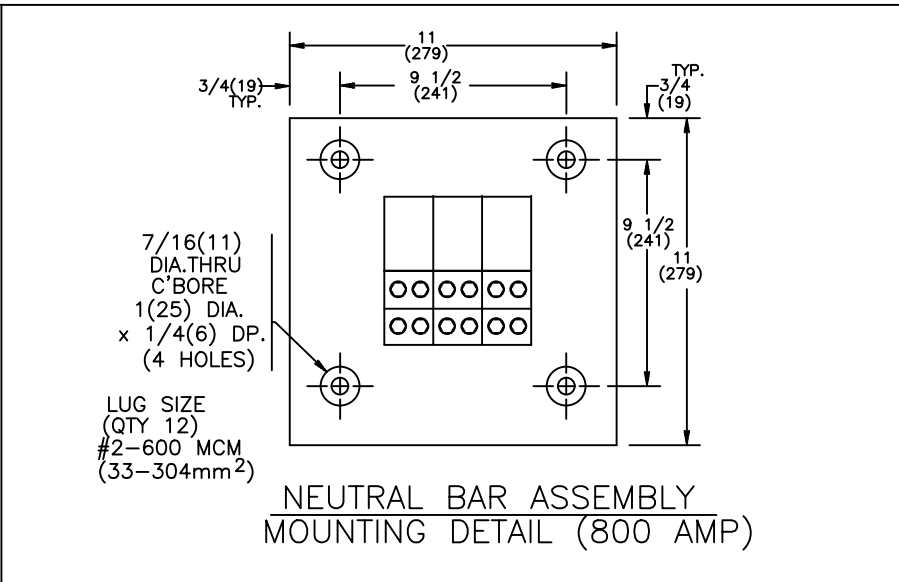
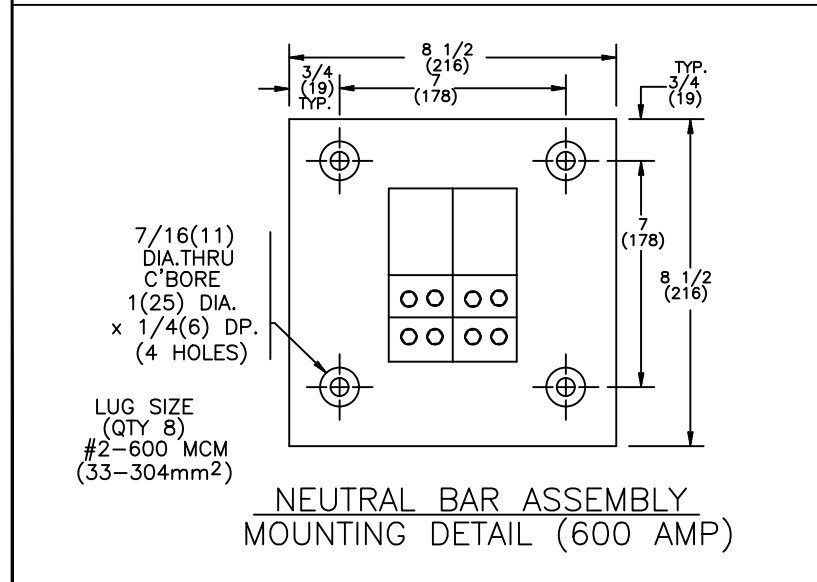


REVISIONS			
REV.	DESCRIPTION	DATE	APPROVED
1	CO76899 UPDATED REBRANDING	10/14/19	AR MAS

- NOTES:
- FOR 2-POLE SWITCHES, OMIT CENTER POLE.
 - OPEN TYPE SWITCH SUPPLIED WITH 6 FT. (1,8m) LONG HARNESS BETWEEN POWER AND CONTROL PANELS. HARNESS EXITS FROM LOWER RIGHT CORNER OF POWER PANEL.
 - DO NOT RUN CABLES IN FRONT OF SWITCH RUN ALL CABLES ON RIGHT SIDE.
 - MAINTAIN ELECTRICAL CLEARANCE OF 1(25mm) MIN. BETWEEN LIVE METAL PARTS AND GROUNDED METAL.
 - DIMENSIONS FOR 3-POLE AND 4-POLE SWITCHES ARE IDENTICAL EXCEPT AS NOTED.
 - ALL DIMENSIONS ARE FOR REFERENCE ONLY AND SHOWN IN INCHES (MILLIMETERS).
 - SEE "DOOR DETAIL" & "CONTROL PANEL" DIMENSIONS ON SHEET 3.



SIGNATURES		DATE
MODEL		02/25/08
DETAIL		
CHECKED		
ENGRG	MF	
MFG		
QUALITY		
ISSUED		
DRAWING FILE:	90c-2035.dwg	
MODEL / ASSEMBLY FILE:	ZTED2 600-800 AMP 2, 3, & 4 POLE	
# CTQs	⊖ CRITICAL TO QUALITY CHARACTERISTIC	

ABB		
TITLE ZTED2 600-800A 2,3,4 POLE OPEN STYLE - FRONT LUGS		
FIRST MADE FOR:	ZTED2 600-800 AMP 2, 3, & 4 POLE	
SIZE	B	DWG NO
		90C-2035
SCALE:	N/A	SHEET 1 OF 3

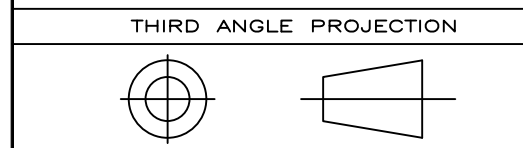
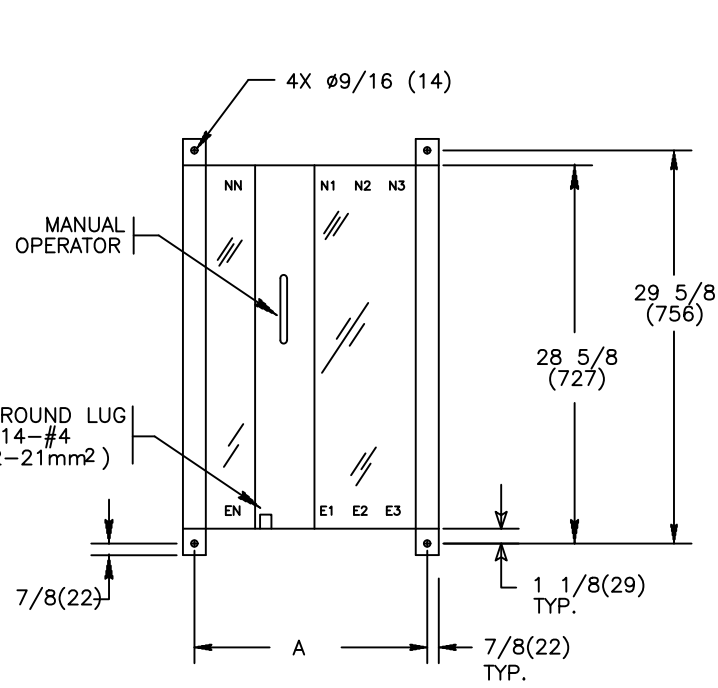


ABB PROPRIETARY AND CONFIDENTIAL INFORMATION

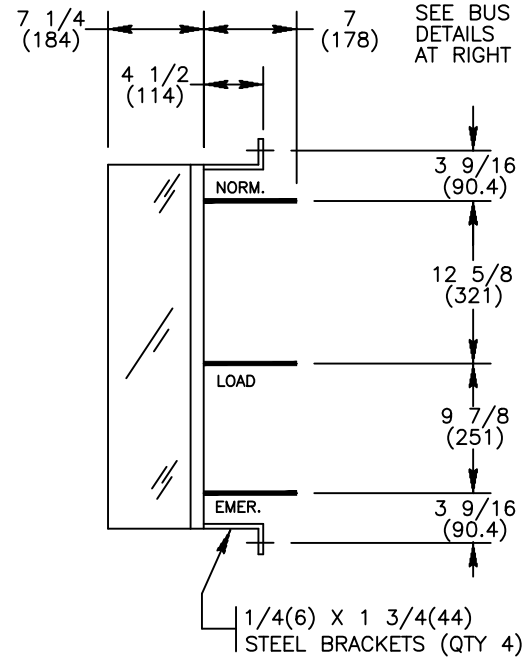
The information contained in the document has to be kept strictly confidential. Any unauthorized use, reproduction, distribution or disclosure to third parties is strictly forbidden. ABB reserves all rights regarding intellectual Property Rights. Copyright 2018 ABB. All rights reserved.

AutoCad Generated

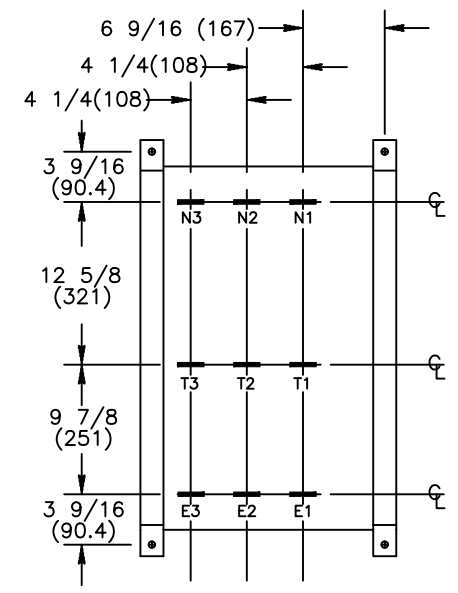


FRONT VIEW

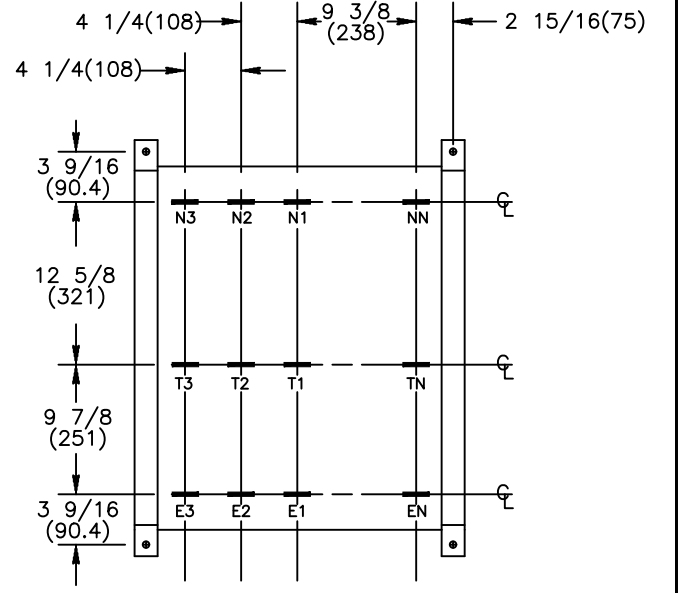
	A
2/3-POLE	17 5/8 (448)
4-POLE	23 3/8 (594)



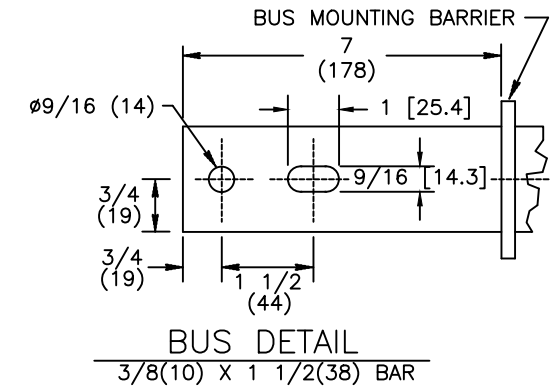
RIGHT SIDE VIEW



2/3-POLE SWITCH
BUS DETAILS (REAR VIEW)



4-POLE SWITCH
BUS DETAILS (REAR VIEW)



BUS DETAIL
3/8(10) X 1 1/2(38) BAR

- NOTES:
- FOR 2-POLE SWITCHES, OMIT CENTER POLE.
 - OPEN TYPE SWITCH SUPPLIED WITH 6 FT. (1.8m) LONG HARNESS BETWEEN POWER AND CONTROL PANELS. HARNESS EXITS FROM LOWER RIGHT CORNER OF POWER PANEL.
 - DO NOT RUN CABLES IN FRONT OF SWITCH. RUN ALL CABLES ON RIGHT SIDE.
 - MAINTAIN ELECTRICAL CLEARANCE OF 1(25mm) MIN. BETWEEN LIVE METAL PARTS AND GROUNDED METAL.
 - ALL DIMENSIONS ARE FOR REFERENCE ONLY AND SHOWN IN INCHES(MILLIMETERS).
 - SEE "DOOR DETAIL" & "CONTROL PANEL" DIMENSIONS ON SHEET 3.



OPEN STYLE - REAR BUS

FIRST MADE FOR: ZTED2 600-800 AMP 2, 3, & 4 POLE

SIZE B CAGE CODE DWG NO 90C-2035

SCALE: N/A SHEET 2 OF 3

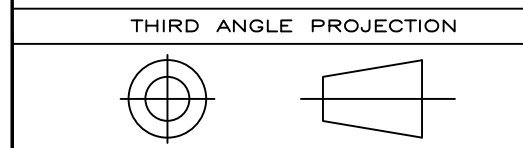


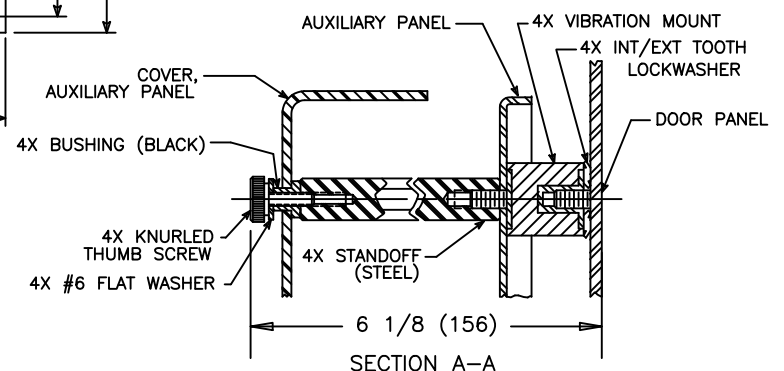
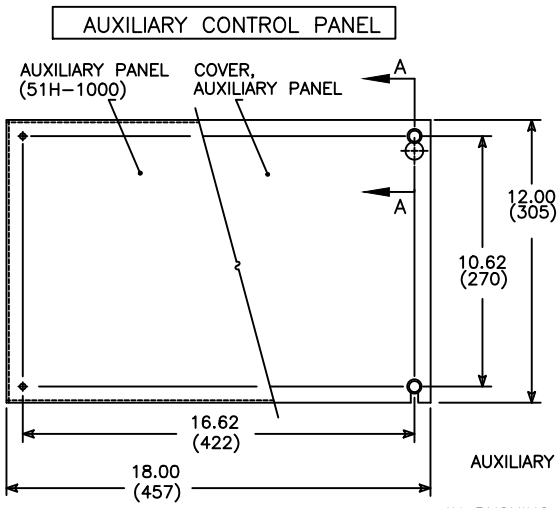
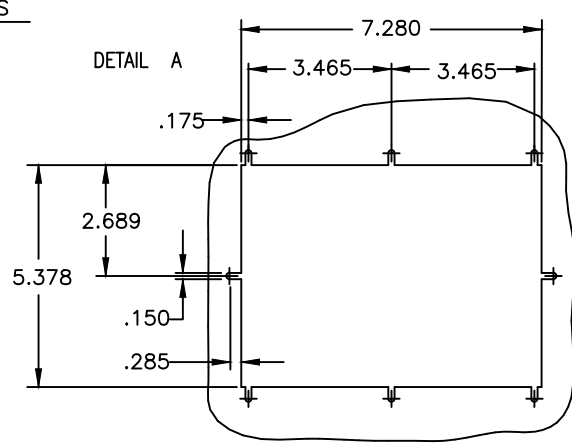
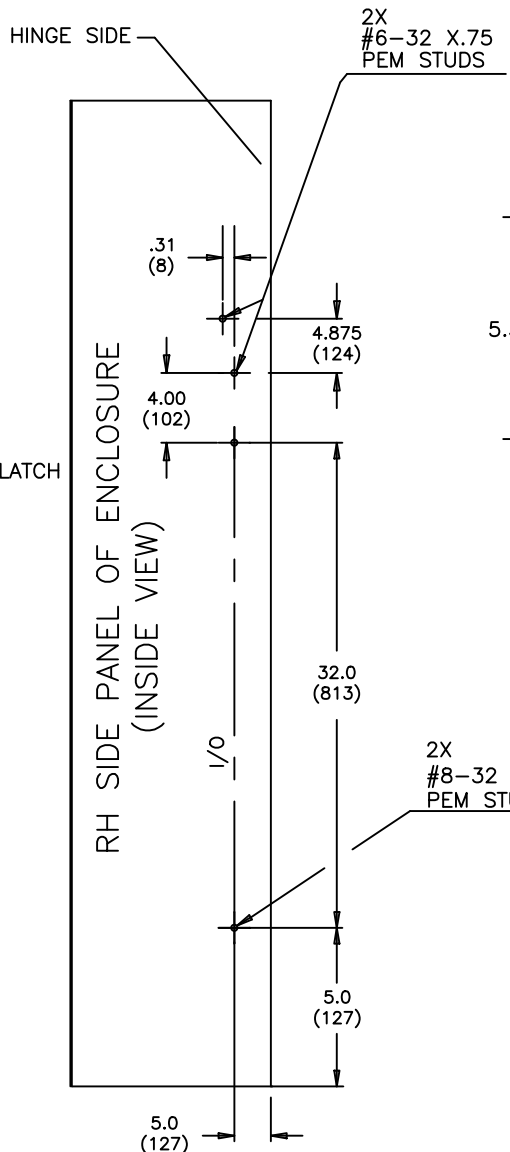
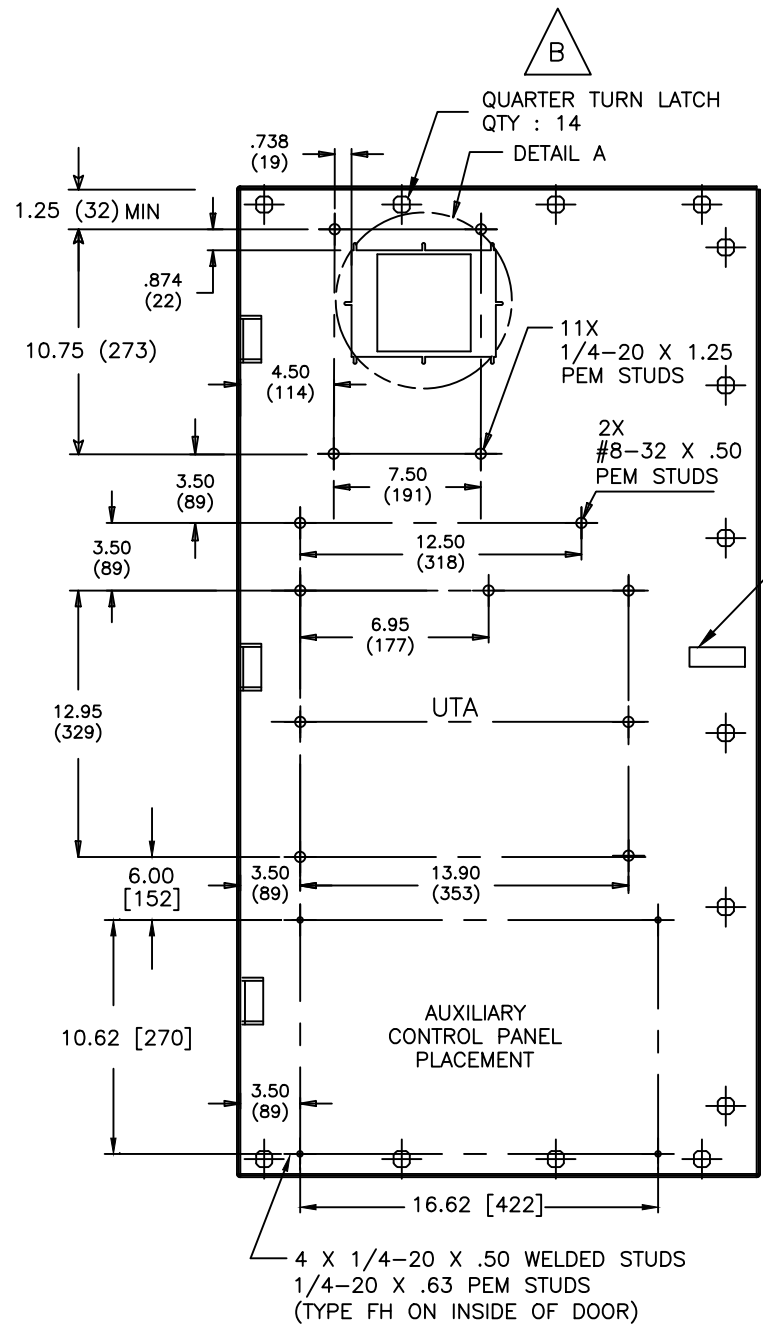
ABB PROPRIETARY AND CONFIDENTIAL INFORMATION
The information contained in the document has to be kept strictly confidential. Any unauthorized use, reproduction, distribution or disclosure to third parties is strictly forbidden. ABB reserves all rights regarding intellectual Property Rights. Copyright 2018 ABB. All rights reserved

AutoCad Generated

DRAWING FILE: 50c-2035.dwg
MODEL / ASSEMBLY FILE: ZTED2 600-800 AMP 2, 3, & 4 POLES
CTQs

CRITICAL TO QUALITY CHARACTERISTIC

DOOR DETAIL (INSIDE VIEW)



NOTES:

1. FOR 2-POLE SWITCHES, OMIT CENTER POLE.
2. OPEN TYPE SWITCH SUPPLIED WITH 6 FT. (1.8m) LONG HARNESS BETWEEN POWER AND CONTROL PANELS. HARNESS EXITS FROM LOWER RIGHT CORNER OF POWER PANEL.
3. DO NOT RUN CABLES IN FRONT OF SWITCH RUN ALL CABLES ON RIGHT SIDE.
4. MAINTAIN ELECTRICAL CLEARANCE OF 1(25mm) MIN. BETWEEN LIVE METAL PARTS AND GROUNDED METAL.
5. DIMENSIONS FOR 3-POLE AND 4-POLE SWITCHES ARE IDENTICAL EXCEPT AS NOTED.
6. ALL DIMENSIONS ARE FOR REFERENCE ONLY AND SHOWN IN INCHES (MILLIMETERS).

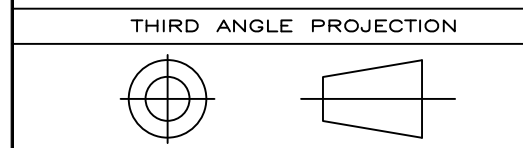


ABB PROPRIETARY AND CONFIDENTIAL INFORMATION
The information contained in the document has to be kept strictly confidential. Any unauthorized use, reproduction, distribution or disclosure to third parties is strictly forbidden. ABB reserves all rights regarding intellectual Property Rights. Copyright 2018 ABB. All rights reserved.

AutoCad Generated

SIGNATURES		DATE
MODEL		02/25/08
DETAIL		
CHECKED		
ENGRG	MF	
MFG		
QUALITY		
ISSUED		
DRAWING FILE: 90c-2035.dwg		
MODEL / ASSEMBLY FILE: ZTED2 600-800 AMP 2, 3, & 4 POLE		
# CTQs	⊖ CRITICAL TO QUALITY CHARACTERISTIC	

ABB		
TITLE		
ZTED2 600A-800A 2,3,4 POLE OPEN STYLE-DOOR LAYOUT		
FIRST MADE FOR: ZTED2 600-800 AMP 2, 3, & 4 POLE		
SIZE	CAGE CODE	DWG NO
B		90C-2035
SCALE: N/A	SHEET 3 OF 3	