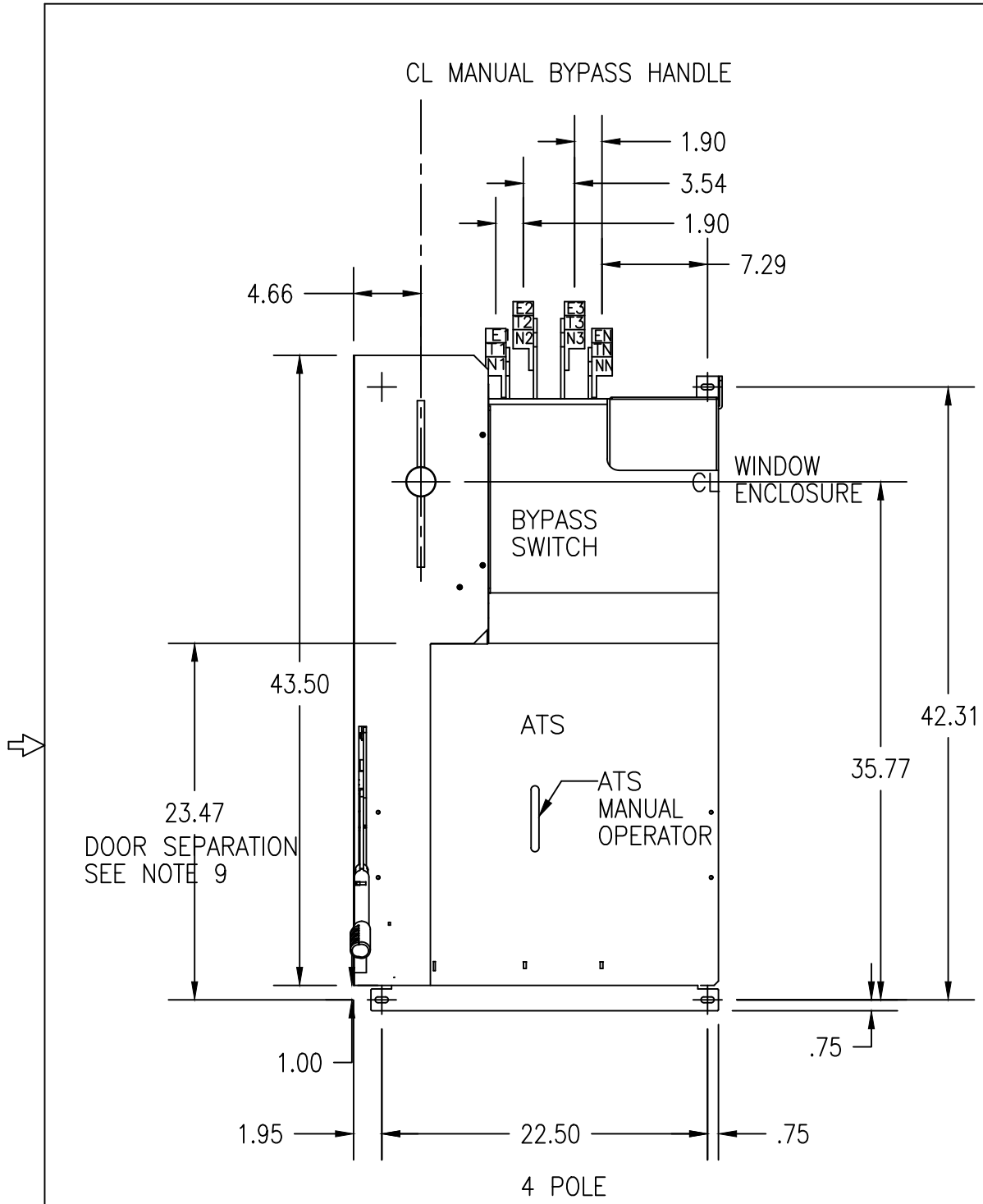
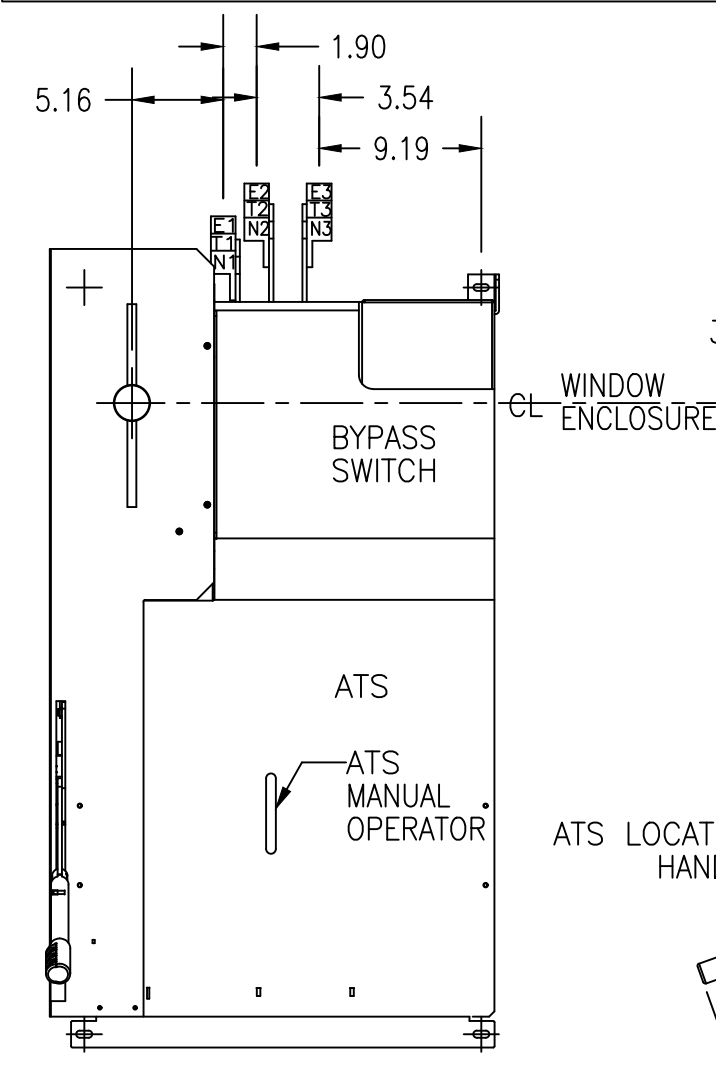


ABB PROPRIETARY AND CONFIDENTIAL INFORMATION
 The information contained in the document has to be kept strictly confidential.
 Any unauthorized use, reproduction, distribution or disclosure to third parties is strictly forbidden.
 ABB reserves all rights regarding intellectual Property Rights.
 Copyright 2018 ABB. All rights reserved

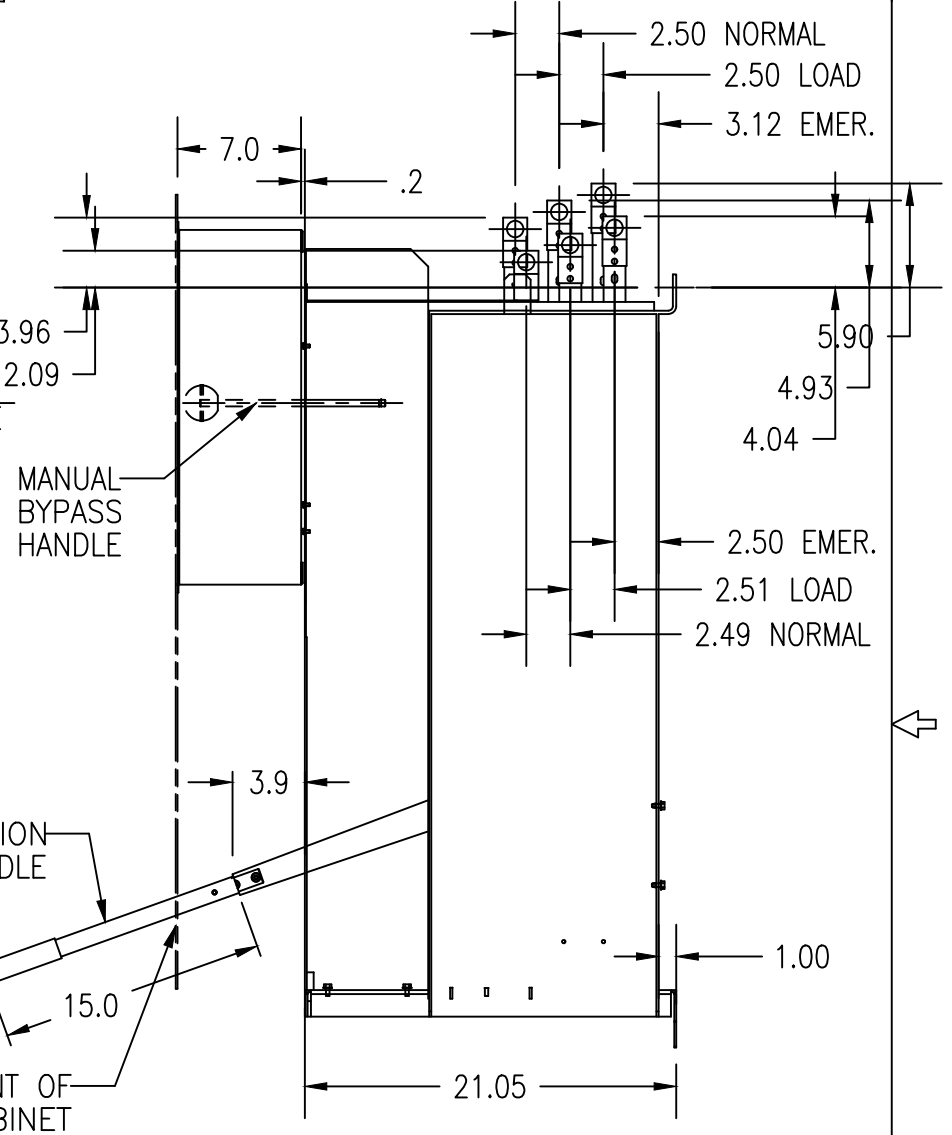
REVISIONS			
REV.	DESCRIPTION	DATE	APPROVED
1	C075076 UPDATED REBRANDING	08/30/19	AR MAS



FRONT VIEW

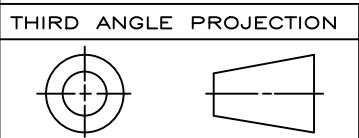


FRONT VIEW



RIGHT SIDE VIEW

		LUG SIZE
100 TO 225A	(QTY 1)	#6- 250 MCM (16-150mm ²)
260 TO 400A	(QTY 1)	#4- 600 MCM (33-304mm ²)



SIGNATURES	DATE
MODEL	. .
DETAIL	. .
CHECKED	. .
ENGRG	. .
MFG	. .
QUALITY	. .
ISSUED	. .
SOLID MODEL: 50C-2036	

ABB

TITLE ZBTE(D) 100-400 AMP -2,3,4 POLES
 OPEN STYLE - BYPASS

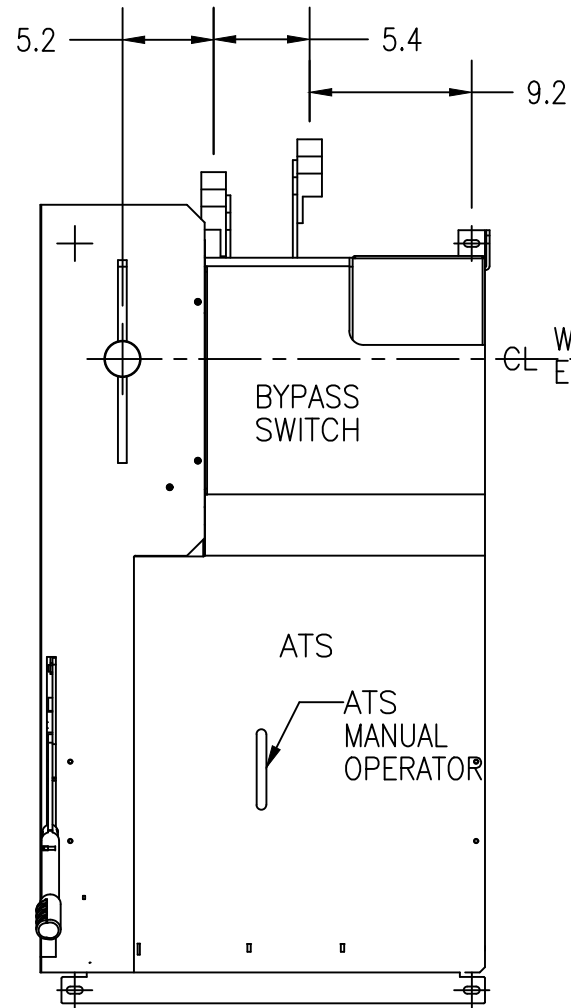
ZBTE(D) 100-400 AMP -2,3,4 POLES

SIZE DRAWING B 90C-2036

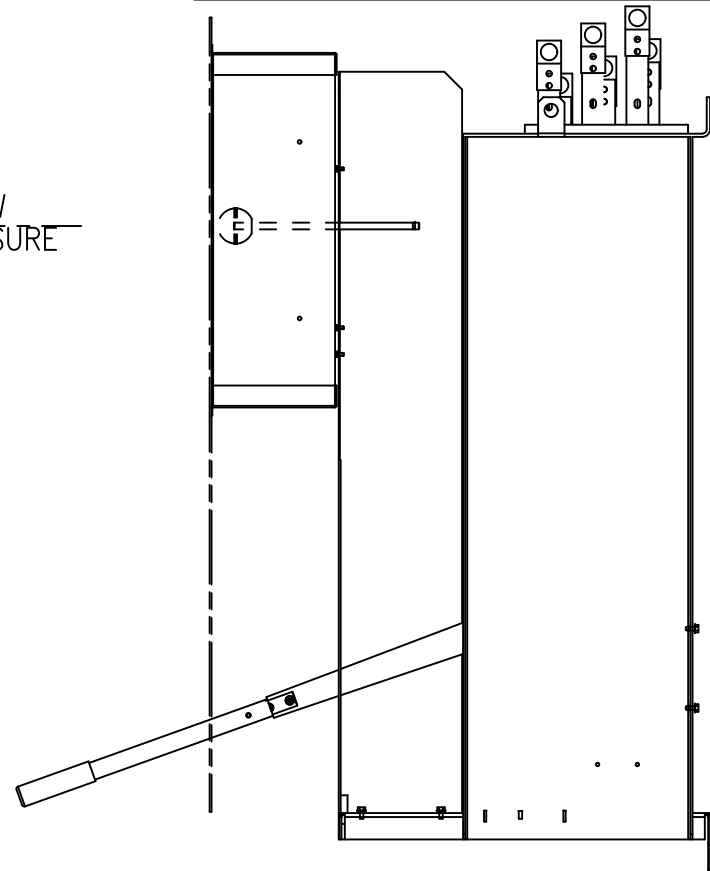
SCALE: 1:10 REF. No: . SHEET 1 of 3

ABB PROPRIETARY AND CONFIDENTIAL INFORMATION

The information contained in the document has to be kept strictly confidential. Any unauthorized use, reproduction, distribution or disclosure to third parties is strictly forbidden. ABB reserves all rights regarding intellectual Property Rights. Copyright 2018 ABB. All rights reserved



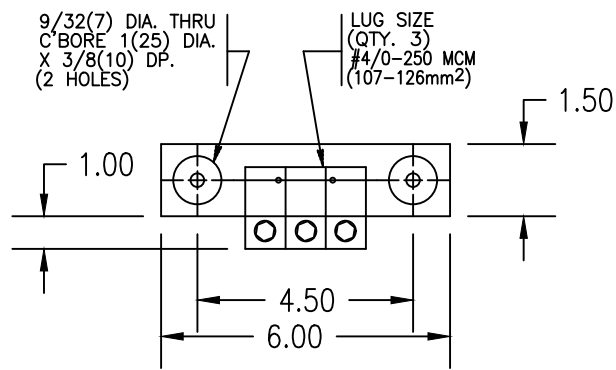
2 POLE FRONT VIEW



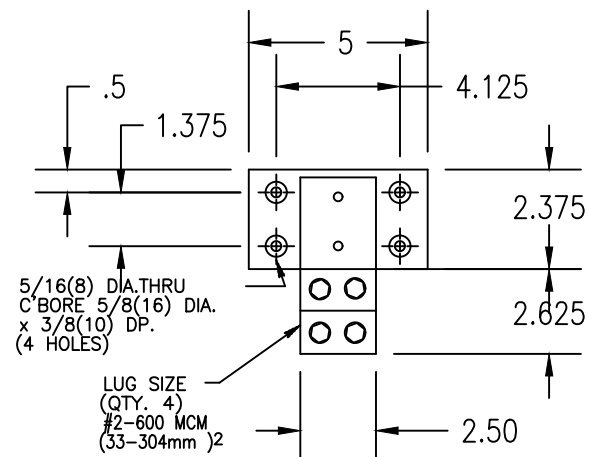
RIGHT SIDE VIEW
(REFER SHEET 1 FOR DETAILS)

NOTES:

1. THE LOCATION OF THE WINDOW ENCLOSURE WITH RELATION TO THE DIMENSIONS OF THE OPEN STYLE BYPASS SWITCH ARE CRITICAL TO THE ALIGNMENT OF THE MANUAL BYPASS HANDLE.
2. SEE SHEET 3 FOR RECOMMENDED DOOR MODIFICATIONS AND CONTROL PANEL DIMENSIONS.
3. FOR 2-POLE SWITCHES, OMIT THE SECOND LEFT POLE POLE. (FRONT VIEW)
4. OPEN TYPE BYPASS SWITCH IS SUPPLIED WITH 6 FT. (1.8m) LONG HARNESS BETWEEN ATS POWER AND CONTROL PANELS. HARNESS EXITS FROM CENTER RIGHT OF SWITCH FRAME.
5. DO NOT RUN CABLES IN FRONT OF SWITCH. RUN ALL CABLES ON RIGHT SIDE.
6. ATS DRAWS OUT TOWARD FRONT OF ENCLOSURE.
7. MAINTAIN ELECTRICAL CLEARANCE OF 1" (25mm) MINIMUM BETWEEN LIVE METAL PARTS AND GROUNDED METAL.
8. CUSTOMERS CUBICLE MUST INCLUDE A TWO DOOR FRONT. THE TOP DOOR (WHICH ALLOWS ACCESS TO THE BYPASS UNIT) CANNOT BE OPENED UNTIL BOTTOM DOOR IS OPENED.
9. DIMENSIONS FOR 2-POLE, 3-POLE AND 4-POLE SWITCHES ARE IDENTICAL EXCEPT AS NOTED.
10. ALL DIMENSIONS ARE FOR REFERENCE ONLY AND SHOWN IN INCHES(MILLIMETERS).

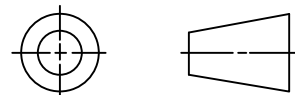


NEUTRAL BAR ASSEMBLY 100-260 AMPS



NEUTRAL BAR ASSEMBLY 400 AMPS

THIRD ANGLE PROJECTION



SIGNATURES	DATE
MODEL	.
DETAIL	.
CHECKED	.
ENGRG	.
MFG	.
QUALITY	.
ISSUED	.
SOLID MODEL: 50C-2036-3P	



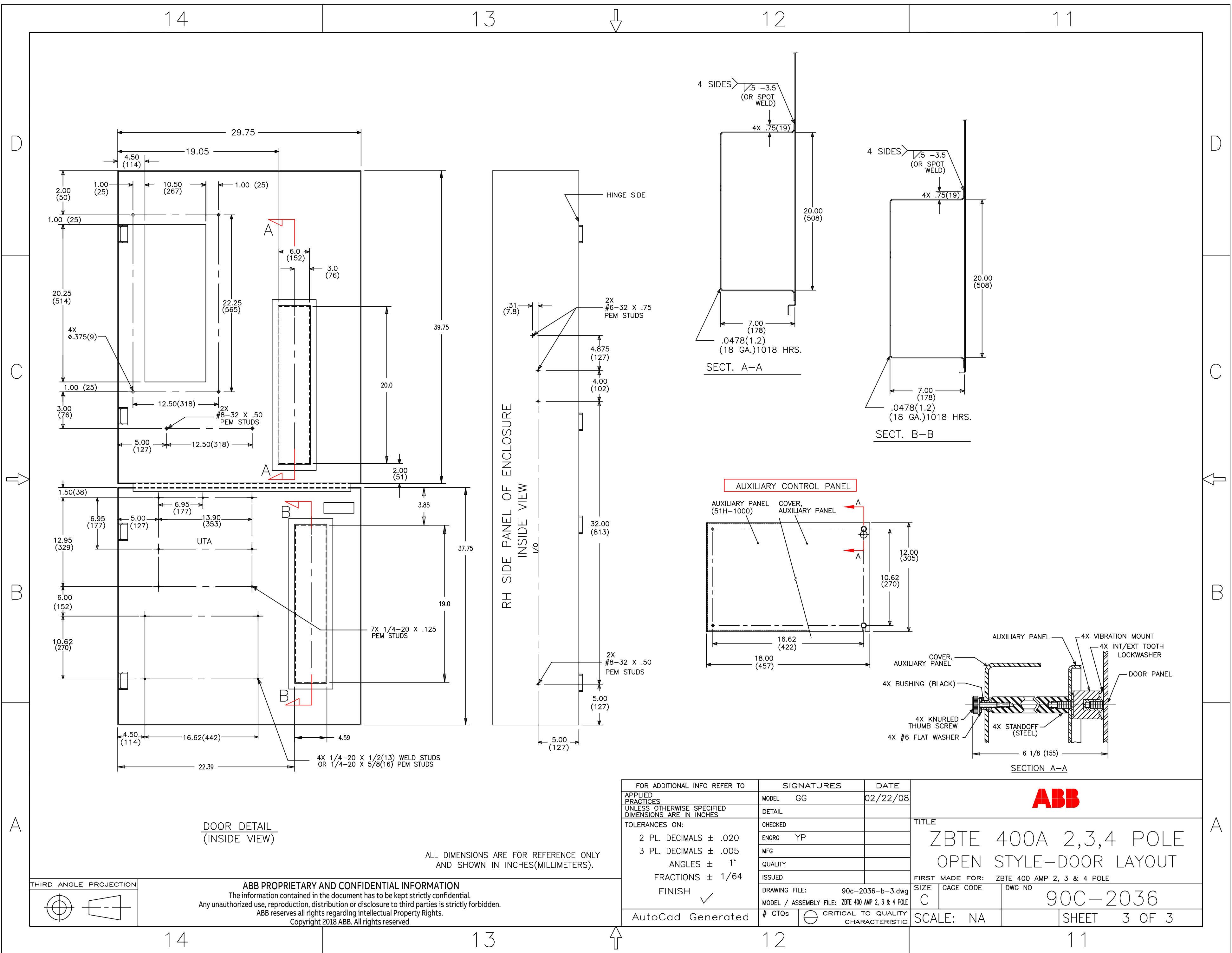
TITLE ZBTE(D) 100-400 AMPS -2,3,4 POLES
OPEN STYLE - BYPASS
ZBTE(D) 100-400 AMPS -2,3,4 POLES

SIZE DRAWING B 90C-2036

SCALE: 1:10

REF. No: .

SHEET 2 of 3



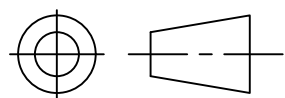
DOOR DETAIL
(INSIDE VIEW)

ALL DIMENSIONS ARE FOR REFERENCE ONLY
AND SHOWN IN INCHES(MILLIMETERS).

ABB PROPRIETARY AND CONFIDENTIAL INFORMATION

The information contained in the document has to be kept strictly confidential.
Any unauthorized use, reproduction, distribution or disclosure to third parties is strictly forbidden.
ABB reserves all rights regarding intellectual Property Rights.
Copyright 2018 ABB. All rights reserved.

THIRD ANGLE PROJECTION



FOR ADDITIONAL INFO REFER TO	SIGNATURES	DATE
APPLIED PRACTICES	MODEL GG	02/22/08
UNLESS OTHERWISE SPECIFIED DIMENSIONS ARE IN INCHES	DETAIL	
TOLERANCES ON:	CHECKED	
2 PL. DECIMALS ± .020	ENGRG YP	
3 PL. DECIMALS ± .005	MFG	
ANGLES ± 1°	QUALITY	
FRACTIONS ± 1/64	ISSUED	
FINISH ✓	DRAWING FILE: 90c-2036-b-3.dwg	
	MODEL / ASSEMBLY FILE: ZBTE 400 AMP 2, 3 & 4 POLE	
AutoCad Generated	# CTQs	⊖ CRITICAL TO QUALITY CHARACTERISTIC

ABB		
TITLE ZBTE 400A 2,3,4 POLE OPEN STYLE-DOOR LAYOUT		
FIRST MADE FOR: ZBTE 400 AMP 2, 3 & 4 POLE	SIZE CAGE CODE	DWG NO
C		90C-2036
SCALE: NA	SHEET 3 OF 3	