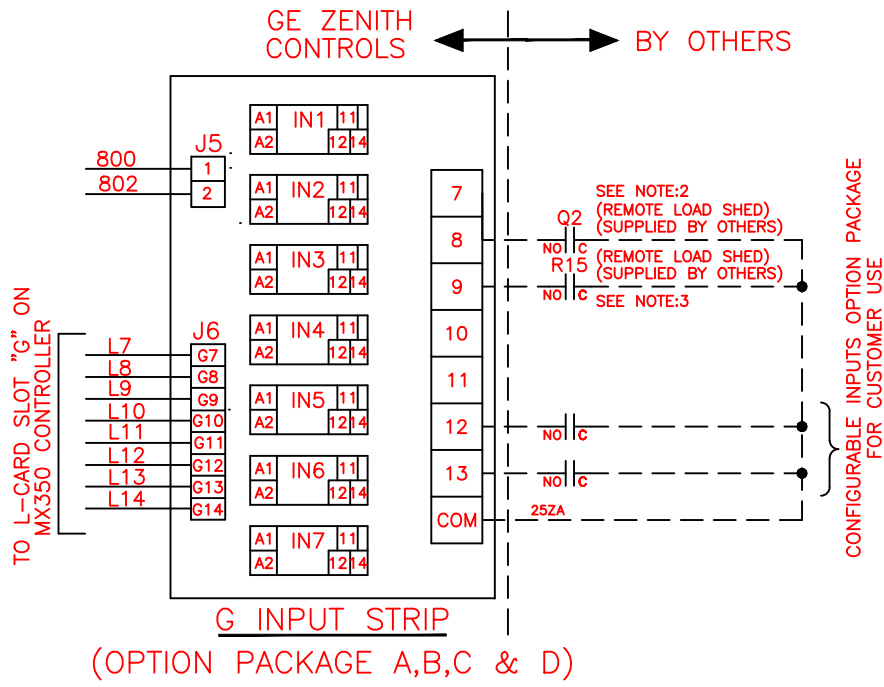




REVISIONS

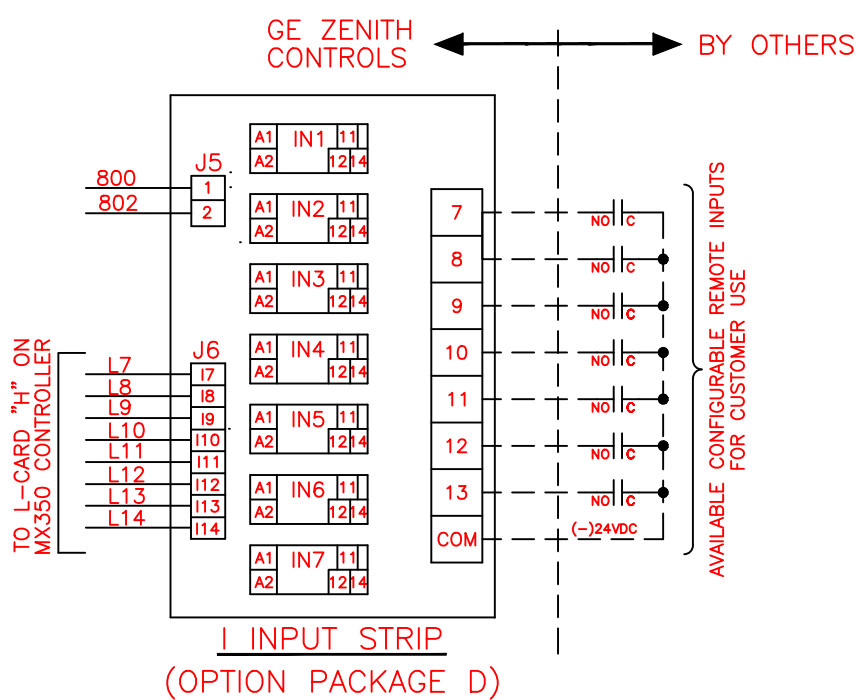
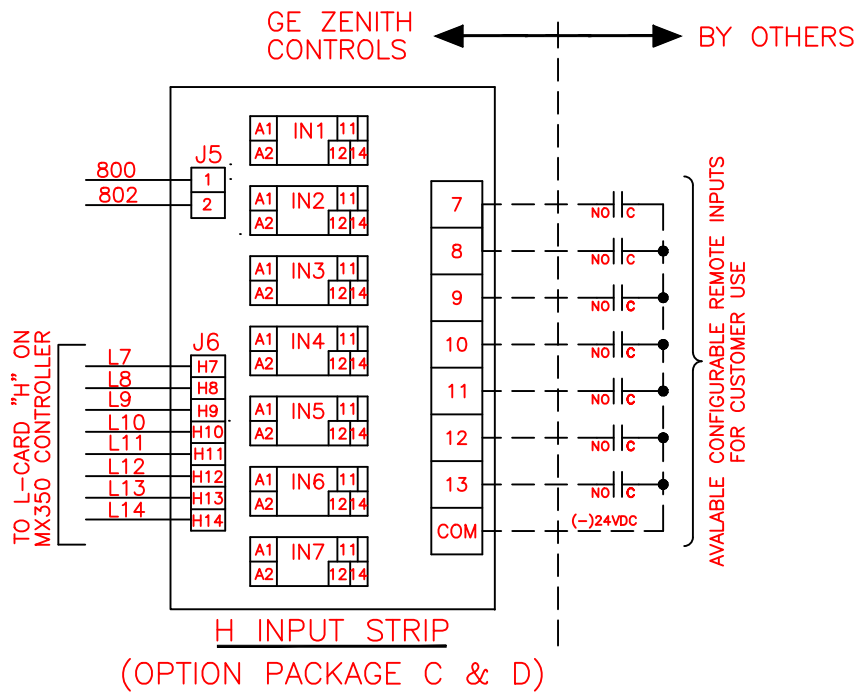
REV.	DESCRIPTION	DATE	APPROVED
1	C076422	09/05/19	AR MAS

OPTION PACKAGE WIRING CONNECTION DETAILS



USER-CONFIGURABLE INPUTS

- BYPASS TIME DELAY ON RE-TRANSFER TO SOURCE 1 -(BYPTR)
- BYPASS TIME DELAY ON RE-TRANSFER TO SOURCE 2 -(BYPWR)
- REMOTE ENGINE START -(RSS)
- AUTO LOAD SHED RESET -(LS1R)
- AUTO LOAD SHED KW PICK UP ON/OFF -(LS1KW)
- AUTO LOAD SHED REMOTE ENABLE/DISABLE-(ALS1)
- NO LOAD TEST -(TSNL)
- INHIBIT TRANSFER TO SOURCE 1 -(Q7)
- INHIBIT TRANSFER TO SOURCE 2 -(Q3)
- PRIME SOURCE SELECT SWITCH -(S3R)
- AUTO/MAN RE-TRANSFER SOURCE 2 TO 1 -(S5R)
- AUTO/MAN RE-TRANSFER SOURCE 1 TO 2 AND SOURCE 2 TO 1 -(S12/R)
- COMMIT/NO COMMIT TO TRANSFER TO SOURCE 2 -(S13R)
- MANUAL TRANSFER TO SOURCE 2 -(YER)
- MANUAL TRANSFER TO SOURCE 1 -(YNR)
- DIGITAL INPUT (UP TO QTY. 10 FOR USER-CONFIGURABLE ALARMS & FLEXLOGIC - (CCD1-X)



NOTES:

1. COMPONENTS DRAWN IN DASHED LINES ARE OPTION PACKAGE AND CUSTOMER CONNECTIONS OF THE TRANSFER SWITCH.
2. Q2 (TEST WITH LOAD) IS PROVIDED AS STANDARD (PRE-CONFIGURED) FEATURE.
3. R15 (LOAD SHED) IS PROVIDED AS AN OPTION (PRE-CONFIGURED) FEATURE.

<p>ABB PROPRIETARY AND CONFIDENTIAL INFORMATION</p> <p>The information contained in the document has to be kept strictly confidential. Any unauthorized use, reproduction, distribution or disclosure to third parties is strictly forbidden. ABB reserves all rights regarding Intellectual Property Rights. Copyright 2018 ABB. All rights reserved.</p> <p>THIRD ANGLE PROJECTION</p>	<p>FOR ADDITIONAL INFO REFER TO</p> <p>APPLIED PRACTICES</p> <p>UNLESS OTHERWISE SPECIFIED DIMENSIONS ARE IN INCHES</p> <p>TOLERANCES ON:</p> <p>2 PL. DECIMALS ± .020</p> <p>3 PL. DECIMALS ± .005</p> <p>ANGLES ± 1°</p> <p>FRACTIONS ± 1/64</p> <p>FINISH</p> <p>AutoCad Generated</p>	<p>SIGNATURES</p> <p>MODEL CEE</p> <p>CHECKED</p> <p>ENGRG CEE</p> <p>MFG</p> <p>QUALITY</p> <p>ISSUED</p> <p>DRAWING FILE: 91r-2001.dwg</p> <p>MODEL / ASSEMBLY FILE:</p> <p># CTQs</p> <p>CRITICAL TO QUALITY CHARACTERISTIC</p>	<p>DATE</p> <p>03/03/08</p> <p>03/03/08</p>	<p>ABB</p> <p>TITLE</p> <p>USER CONFIGURABLE INPUT-OPTION</p> <p>FIRST MADE FOR: TRANSFER SWITCHES WITH MX350</p> <p>SIZE B</p> <p>CAGE CODE</p> <p>DWG NO 91R-2001</p> <p>SCALE: NA</p> <p>SHEET 1 OF 1</p>
--	---	--	---	--

