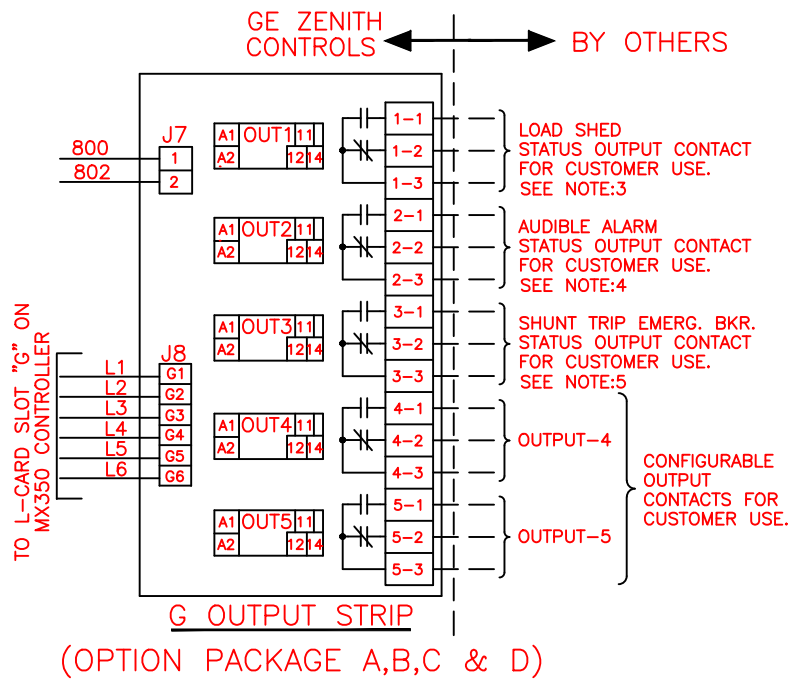
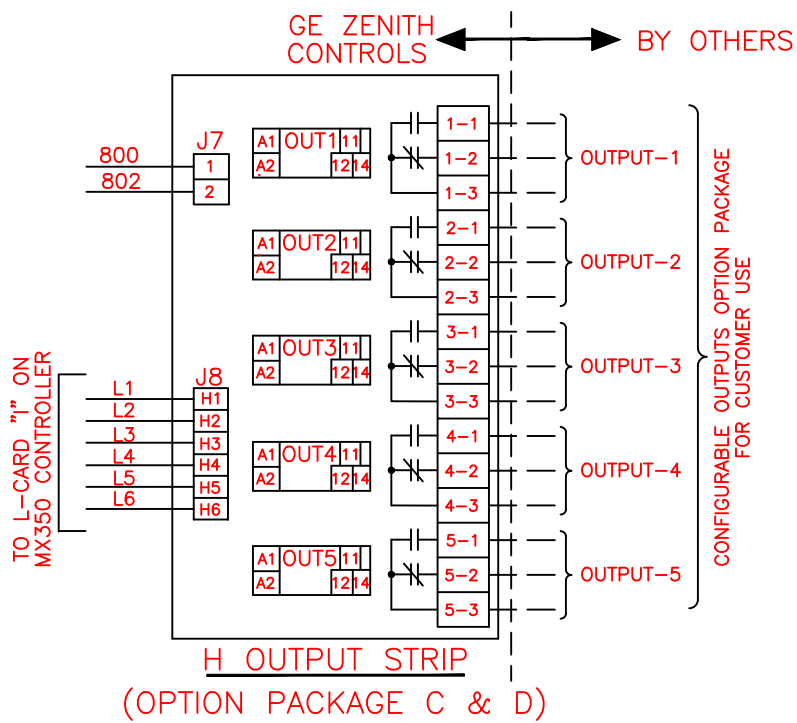


REVISIONS			
REV.	DESCRIPTION	DATE	APPROVED
1	C076422	09/04/19	AR MAS

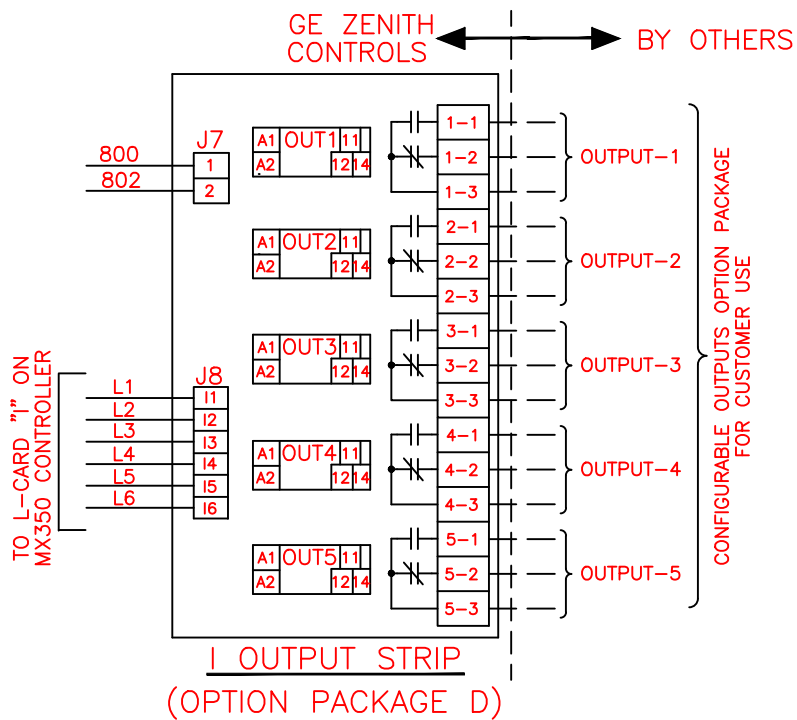
**CUSTOMER WIRING CONNECTION DETAILS**



**G OUTPUT STRIP**  
(OPTION PACKAGE A,B,C & D)



**H OUTPUT STRIP**  
(OPTION PACKAGE C & D)




**I OUTPUT STRIP**  
(OPTION PACKAGE D)

**USER-CONFIGURABLE OUTPUTS**

- COMMON ALARM (ANY ALARM ACTIVE) - (ALM)
- SELF DIAGNOSTIC ALARM -(DIAG)
- SWITCH EXERCISING -(EXC)
- CONTROL DISCONNECT SWITCH IN INHIBIT POSITION -(DS)
- ATS NOT IN AUTO MODE -(NIA)
- FAIL TO TRANSFER TO SOURCE 1 ALARM -(FTS1)
- FAIL TO TRANSFER TO SOURCE 2 ALARM -(FTS2)
- ENGINE START SIGNAL ACTIVE -(ESS)
- SOURCE 1 FAILURE -(A1)
- SOURCE 2 FAILURE -(A1E)
- CONNECTED TO SOURCE 1 -(A4)
- CONNECTED TO SOURCE 2 -(A3)
- CONNECTED TO CENTER/NEUTRAL -(A34N) (DELAY TYPE ONLY)
- BYPASS ATS ON SOURCE 1 -(AB4)
- BYPASS ATS ON SOURCE 2 -(AB3)
- PROGRAMMABLE LOAD CONTROL RELAY #1 -(LC1)
- PROGRAMMABLE LOAD CONTROL RELAY #2 -(LC2)
- PROGRAMMABLE LOAD CONTROL RELAY #3 -(LC3)
- PROGRAMMABLE LOAD CONTROL RELAY #4 -(LC4)
- PROGRAMMABLE LOAD CONTROL RELAY #5 -(LC5)
- PROGRAMMABLE LOAD CONTROL RELAY #6 -(LC6)
- AUTO LOAD SHED ACTIVE -(ALS) (SIGNAL TO SHUNT TRIP DOWNSTREAM LOAD/S)
- TRANSFER TO SOURCE 2 ALARM -(CTAP)
- USER CONFIGURATION DIGITAL ALARMS -(CCAD-X) UP TO QTY. 10
- LOW PF ALARM -(LLPFA)
- SOURCE 1 HIGH VOLTS THD% ALARM -(VTHDS1)
- SOURCE 2 HIGH VOLTS THD% ALARM -(VTHDS2)
- CURRENT HIGH THD% ALARM -(ITHD)
- KW OVERLOAD ALARM -(LOKWA)
- OVERCURRENT (PHASE A) -(51A)
- OVERCURRENT (PHASE B) -(51B)
- OVERCURRENT (PHASE C) -(51C)
- OVERCURRENT (PHASE N) -(51N)
- SOURCE 1 VOLTAGE IMBALANCE ALARM - (VIAS1)
- SOURCE 2 VOLTAGE IMBALANCE ALARM - (VIAS2)
- CURRENT IMBALANCE ALARM -(CIA)
- AUTO TRANSFER OCCURED SOURCE 1 TO SOURCE 2 -(ATS2)
- AUTO TRANSFER OCCURED SOURCE 2 TO SOURCE 1 -(ATS1)
- MANUAL TRANSFER TO SOURCE 2 FROM SOURCE 1 OCCURED -(MTS2S1)
- MANUAL TRANSFER TO SOURCE 1 FROM SOURCE 2 OCCURED -(MTS1S2)
- INHIBIT TRANSFER TO SOURCE 1 -(Q7)
- INHIBIT TRANSFER TO SOURCE 2 -(Q3)
- SOURCE 1 UNDERVOLTAGE -(UVS1)
- SOURCE 2 UNDERVOLTAGE -(UVS2)
- SOURCE 1 OVERVOLTAGE -(OVS1)
- SOURCE 2 OVERVOLTAGE -(OVS2)
- SOURCE 1 UNDERFREQUENCY -(UFS1)
- SOURCE 2 UNDERFREQUENCY -(UFS2)
- SOURCE 1 OVERFREQUENCY -(OFS1)
- SOURCE 2 OVERFREQUENCY -(OFS2)

**NOTES:**

1. COMPONENTS DRAWN IN DASHED LINES ARE OPTION PACKAGE AND CUSTOMER CONNECTIONS OF THE TRANSFER SWITCH.
2. Q2 (TEST WITH LOAD) IS PROVIDED AS STANDARD (PRE-CONFIGURED) FEATURE.
3. LOAD SHED STATUS OUTPUT CONTACT IS PROVIDED AS AN OPTION (PRE-CONFIGURED) FEATURE.
4. AUDIBLE ALARM STATUS OUTPUT CONTACT IS PROVIDED AS STANDARD (PRE-CONFIGURED) FEATURE FOR CLOSED TRANSITION SWITCH.
5. SHUNT TRIP EMERG. BREAKER STATUS CONTACT IS PROVIDED AS STANDARD (PRE-CONFIGURED) FEATURE FOR CLOSED TRANSITION SWITCH.

ABB PROPRIETARY AND CONFIDENTIAL INFORMATION The information contained in the document has to be kept strictly confidential. Any unauthorized use, reproduction, distribution or disclosure to third parties is strictly forbidden. ABB reserves all rights regarding Intellectual Property Rights. Copyright 2018 ABB. All rights reserved.	FOR ADDITIONAL INFO REFER TO	SIGNATURES	DATE	  <b>USER CONFIGURABLE OUTPUT-OPTION</b>  FIRST MADE FOR: TRANSFER SWITCHES WITH MX350	
	APPLIED PRACTICES	MODEL CEE	03/03/08		
	UNLESS OTHERWISE SPECIFIED DIMENSIONS ARE IN INCHES	DETAIL			
	TOLERANCES ON:	CHECKED			
2 PL. DECIMALS ± .020	ENGRG CEE	03/03/08		TITLE	
3 PL. DECIMALS ± .005	MFG				
ANGLES ± 1°	QUALITY				
FRACTIONS ± 1/64	ISSUED				
FINISH ✓	DRAWING FILE: 91r-2002.dwg			SIZE B	
AutoCad Generated	MODEL / ASSEMBLY FILE:			CAGE CODE	
	# CTQs	⊖ CRITICAL TO QUALITY CHARACTERISTIC		DWG NO 91R-2002	
				SCALE: NA	
				SHEET 1 OF 1	