

REVISIONS			
REV.	DESCRIPTION	DATE	APPROVED
1	C076422	09/05/19	AR MAS

VT CARD CONNECTION FOR 3-PHASE, 3-WIRE SYSTEM

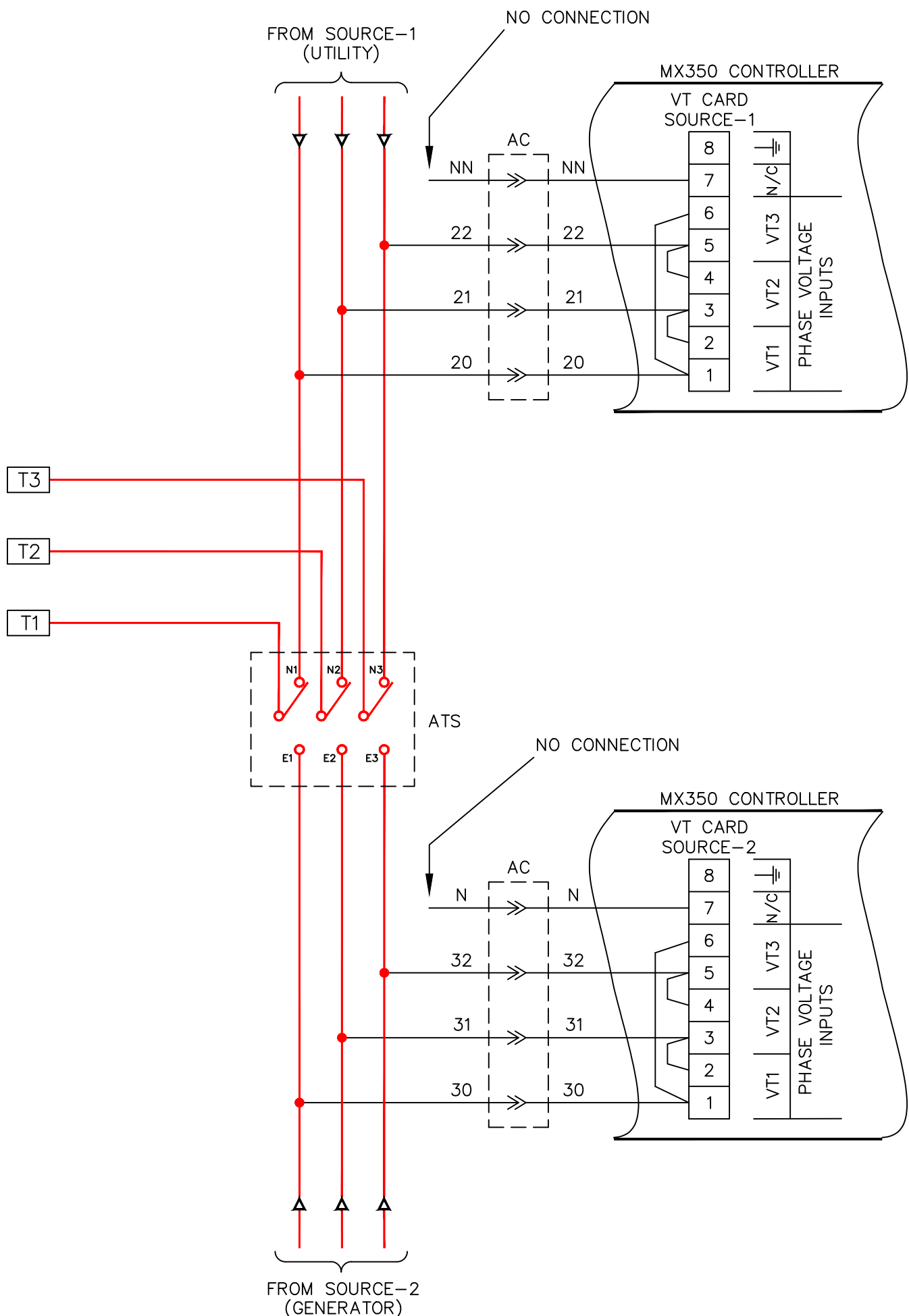



ABB PROPRIETARY AND CONFIDENTIAL INFORMATION The information contained in the document has to be kept strictly confidential. Any unauthorized use, reproduction, distribution or disclosure to third parties is strictly forbidden. ABB reserves all rights regarding Intellectual Property Rights. Copyright 2018 ABB. All rights reserved.	FOR ADDITIONAL INFO REFER TO	SIGNATURES	DATE	 TITLE MX350 VT CARD DELTA CONNECTION FIRST MADE FOR: TRANSFER SWITCHES WITH MX350 CONTROLLER	
	APPLIED PRACTICES	MODEL CEE	01/02/08		
	UNLESS OTHERWISE SPECIFIED DIMENSIONS ARE IN INCHES	DETAIL			
	TOLERANCES ON:	CHECKED			
	ENGRG CEE	01/02/08		SIZE B	
2 PL. DECIMALS ± .020	MFG			CAGE CODE	
3 PL. DECIMALS ± .005	QUALITY			DWG NO	
ANGLES ± 1°	ISSUED			91R-2004	
FRACTIONS ± 1/64	DRAWING FILE: 91r-2004.dwg			SCALE: N/A	
FINISH ✓	MODEL / ASSEMBLY FILE:			SHEET 1 OF 3	
AutoCad Generated	# CTQs	⊖ CRITICAL TO QUALITY CHARACTERISTIC			

VT CARD CONNECTION FOR 3-PHASE, 4-WIRE SYSTEM

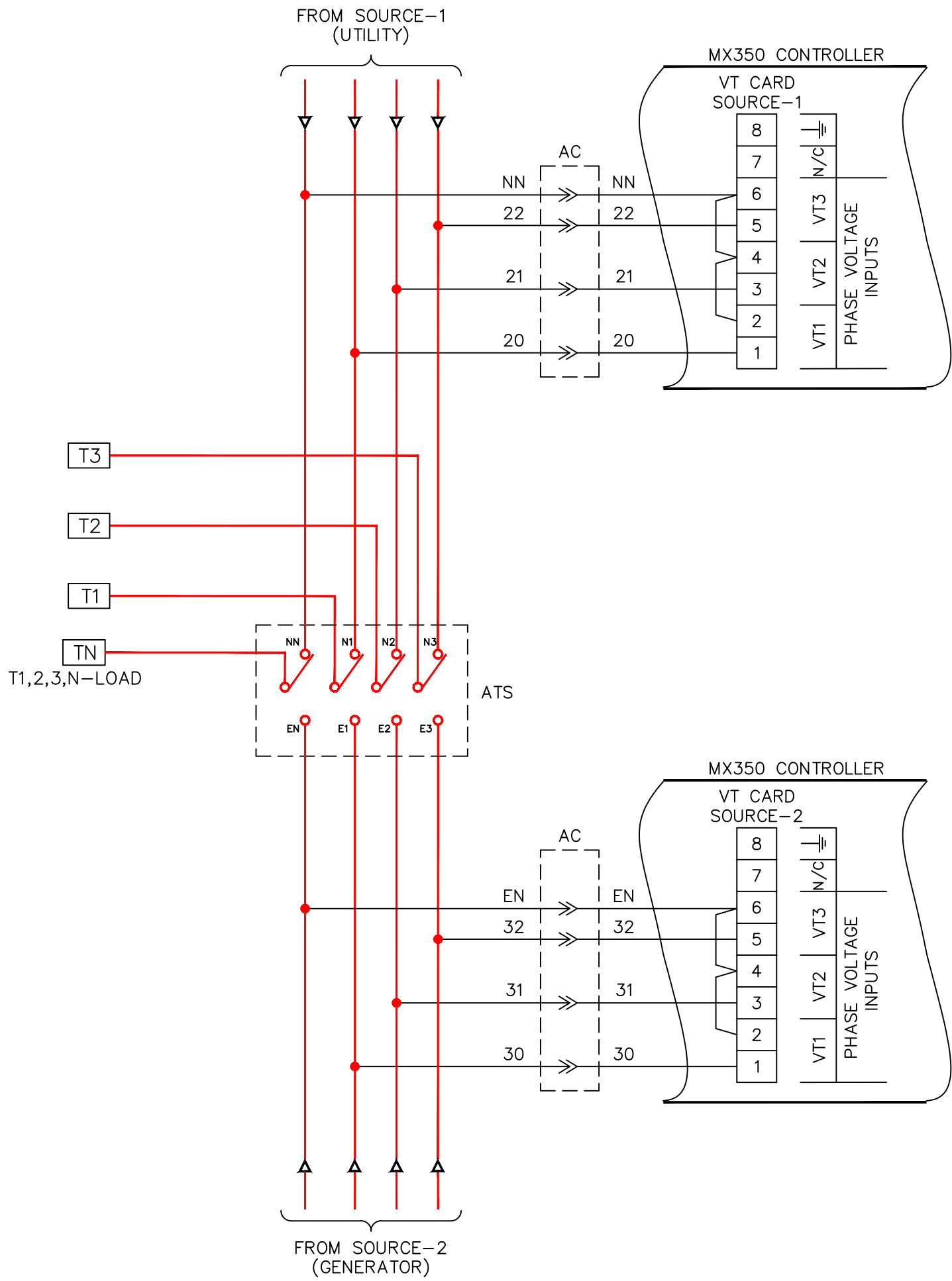

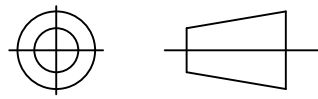
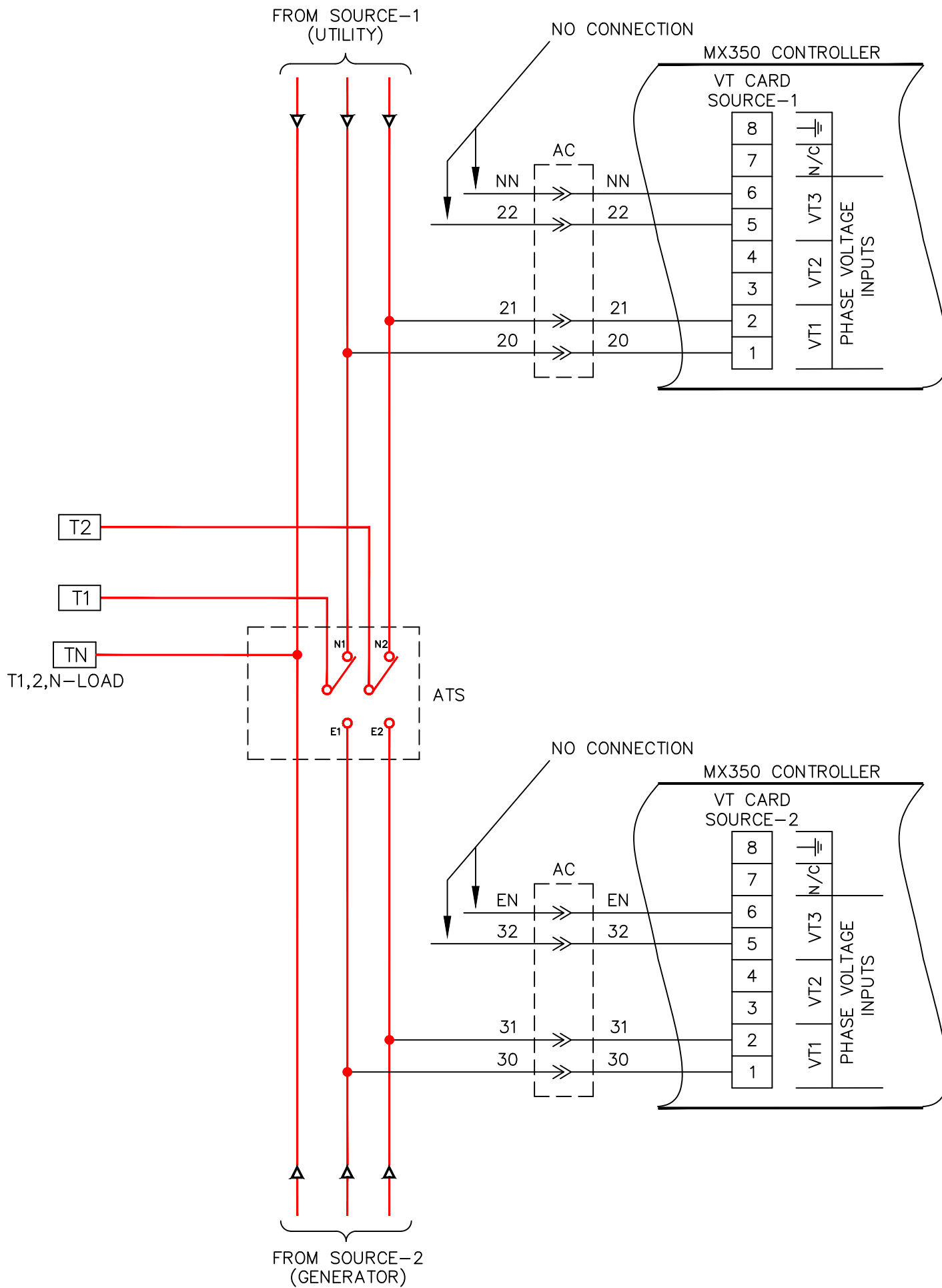


ABB PROPRIETARY AND CONFIDENTIAL INFORMATION The information contained in the document has to be kept strictly confidential. Any unauthorized use, reproduction, distribution or disclosure to third parties is strictly forbidden. ABB reserves all rights regarding Intellectual Property Rights. Copyright 2018 ABB. All rights reserved.	FOR ADDITIONAL INFO REFER TO	SIGNATURES	DATE	 TITLE MX350 VT CARD WYE CONNECTION FIRST MADE FOR: TRANSFER SWITCHES WITH MX350 CONTROLLER	
	APPLIED PRACTICES	MODEL CEE	01/02/08		
	UNLESS OTHERWISE SPECIFIED DIMENSIONS ARE IN INCHES	DETAIL			
	TOLERANCES ON: 2 PL. DECIMALS ± .020 3 PL. DECIMALS ± .005 ANGLES ± 1° FRACTIONS ± 1/64 FINISH ✓	CHECKED ENGRG CEE MFG QUALITY ISSUED			01/02/08
THIRD ANGLE PROJECTION	DRAWING FILE: 91r-2004.dwg	SIZE B	CAGE CODE	DWG NO 91R-2004	
	MODEL / ASSEMBLY FILE:	# CTQs	⊖ CRITICAL TO QUALITY CHARACTERISTIC	SCALE: N/A	SHEET 2 OF 3
AutoCad Generated					

VT CARD CONNECTION FOR 1-PHASE, 2-WIRE SYSTEM



<p>ABB PROPRIETARY AND CONFIDENTIAL INFORMATION</p> <p>The information contained in the document has to be kept strictly confidential. Any unauthorized use, reproduction, distribution or disclosure to third parties is strictly forbidden. ABB reserves all rights regarding Intellectual Property Rights. Copyright 2018 ABB. All rights reserved.</p>	<p>FOR ADDITIONAL INFO REFER TO</p> <p>APPLIED PRACTICES</p> <p>UNLESS OTHERWISE SPECIFIED DIMENSIONS ARE IN INCHES</p>	<p>SIGNATURES</p> <p>MODEL CEE</p> <p>DATE 01/02/08</p>	<p>ABB</p> <p>TITLE</p> <p>MX350 VT CARD SINGLE PHASE CONNECTION</p> <p>FIRST MADE FOR: TRANSFER SWITCHES WITH MX350 CONTROLLER</p>	
	<p>TOLERANCES ON:</p> <p>2 PL. DECIMALS ± .020</p> <p>3 PL. DECIMALS ± .005</p> <p>ANGLES ± 1°</p> <p>FRACTIONS ± 1/64</p>	<p>CHECKED</p> <p>ENGRG CEE</p> <p>MFG</p> <p>QUALITY</p> <p>ISSUED</p>		<p>SIZE B</p> <p>CAGE CODE</p> <p>DWG NO 91R-2004</p>
	<p>FINISH ✓</p>	<p>DRAWING FILE: 91r-2004.dwg</p> <p>MODEL / ASSEMBLY FILE:</p>		<p>SCALE: N/A</p>
	<p>AutoCad Generated</p>	<p># CTQs</p> <p>⊖ CRITICAL TO QUALITY CHARACTERISTIC</p>		<p>SHEET 3 OF 3</p>