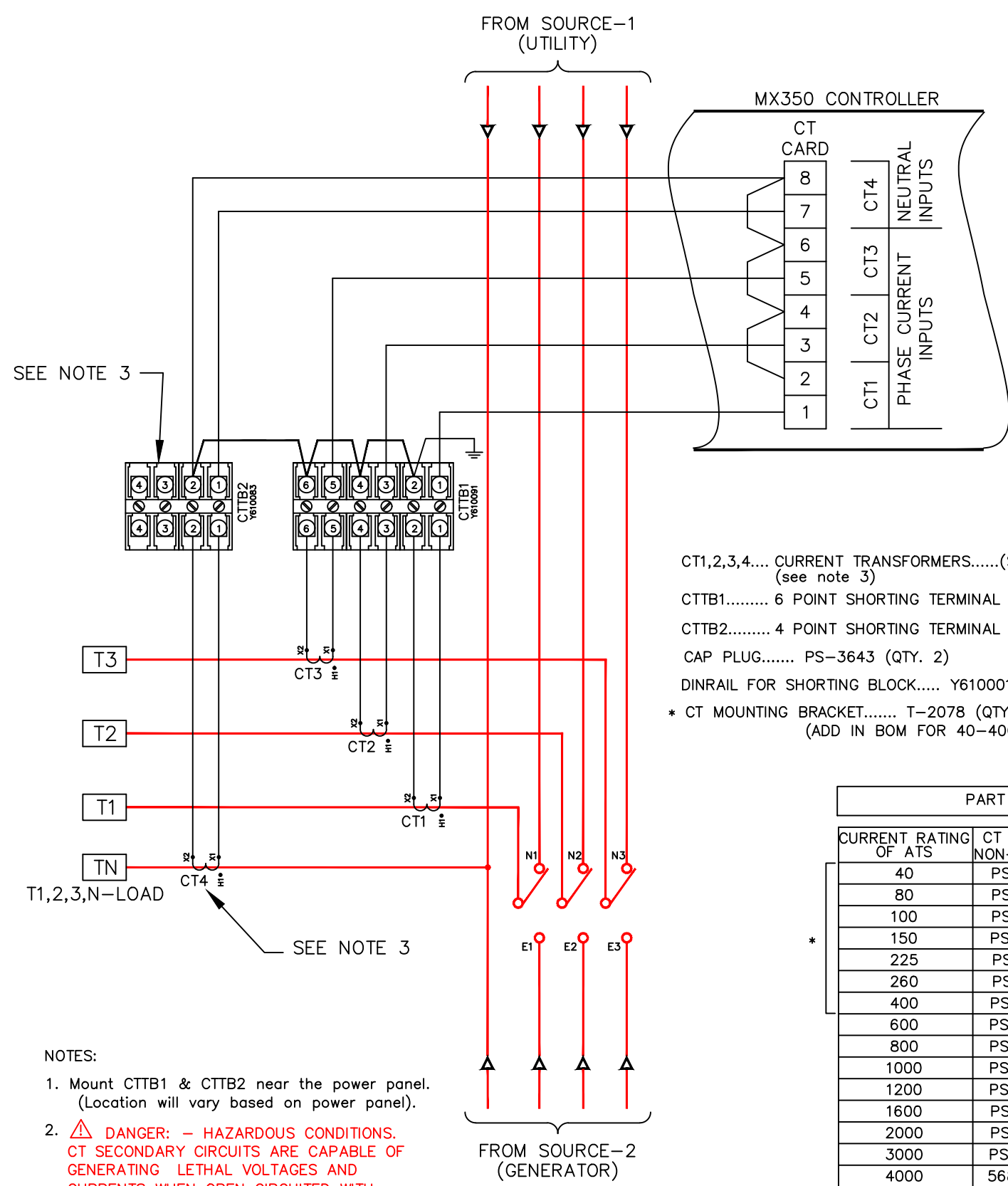


REVISIONS			
REV.	DESCRIPTION	DATE	APPROVED
2	C076422	09/05/19	AR MAS

TYPICAL PHASE CURRENT INPUT CONNECTIONS




- CT1,2,3,4.... CURRENT TRANSFORMERS.....(SEE TABLE FOR PART #) (see note 3)
- CTTB1..... 6 POINT SHORTING TERMINAL BLOCK.... Y610091
- CTTB2..... 4 POINT SHORTING TERMINAL BLOCK.... Y610083
- CAP PLUG..... PS-3643 (QTY. 2)
- DINRAIL FOR SHORTING BLOCK..... Y610001 (QTY. 2)
- * CT MOUNTING BRACKET..... T-2078 (QTY. 1) (ADD IN BOM FOR 40-400A ZTE/ZTED UNITS)

PART # TABLE		
CURRENT RATING OF ATS	CT PART # NON-BYPASS	CT PART# BYPASS
40	PS-4118	NA
80	PS-4119	NA
100	PS-4119	PS-4119
150	PS-4120	PS-4120
225	PS-4121	PS-4121
260	PS-4121	PS-4121
400	PS-4122	PS-4122
600	PS-4928	PS-4123
800	PS-4929	PS-4124
1000	PS-4930	PS-4126
1200	PS-4930	PS-4126
1600	PS-4129	PS-4217
2000	PS-4129	PS-4217
3000	PS-4974	PS-4974
4000	568TL402	568TL402

NOTES:

1. Mount CTTB1 & CTTB2 near the power panel. (Location will vary based on power panel).
2. **⚠ DANGER: - HAZARDOUS CONDITIONS. CT SECONDARY CIRCUITS ARE CAPABLE OF GENERATING LETHAL VOLTAGES AND CURRENTS WHEN OPEN CIRCUITED WITH THEIR PRIMARY CIRCUIT ENERGIZED.** Standard safety precautions should be followed while performing any installation or service on the device (for example, shorting the CT, secondaries, etc.).
3. Applicable on 4 wires systems. (4 pole with switched neutral or 3 pole with fixed neutral).

ABB PROPRIETARY AND CONFIDENTIAL INFORMATION The information contained in the document has to be kept strictly confidential. Any unauthorized use, reproduction, distribution or disclosure to third parties is strictly forbidden. ABB reserves all rights regarding intellectual Property Rights. Copyright 2018 ABB. All rights reserved.	FOR ADDITIONAL INFO REFER TO	SIGNATURES	DATE	 TITLE CURRENT TRANSFORMER FOR ZTE PRODUCT	
	APPLIED PRACTICES	MODEL CEE	01/02/08		
	UNLESS OTHERWISE SPECIFIED DIMENSIONS ARE IN INCHES	DETAIL			
	TOLERANCES ON:	CHECKED			
2 PL. DECIMALS ± .020	ENGRG CEE	01/02/08		FIRST MADE FOR: TRANSFER SWITCHES WITH MX350 CONTROLLER	
3 PL. DECIMALS ± .005	MFG			SIZE B CAGE CODE DWG NO	
ANGLES ± 1°	QUALITY			91R-2005	
FRACTIONS ± 1/64	ISSUED			SCALE: N/A SHEET 1 OF 1	
FINISH ✓	DRAWING FILE: 91r-2005.dwg				
AutoCad Generated	MODEL / ASSEMBLY FILE:				
	# CTQs	⊖ CRITICAL TO QUALITY CHARACTERISTIC			