

REVISIONS			
REV.	DESCRIPTION	DATE	APPROVED
3	C079254	09/05/19	AR MAS

### BILL OF MATERIALS

ITEM	PART NO.	DESCRIPTION	HUMIDISTAT HT/TH/HD	HEATER HT/TH
1	50H-1036	BRACKET	1	1
2	50H-1037	COVER	1	1
3	50H-1040	SUPPORT BRACKET	2	0
4	HMH-177A	6-32 X .50 HEX WASHER HD TAPPING SCREW	14	0
5	Y810142	6-32 X .75 HEX WASHER HD TAPPING SCREW	2	0
6	K-3026	480/120 V, TRANSFORMER, 10 VA	1	1
	K-3025	240/120 V, TRANSFORMER, 10 VA		
	K-3106	208/120 V, TRANSFORMER, 10 VA		
	K-3018	277/120 V, TRANSFORMER, 10 VA		
	K-3022	575/120 V, TRANSFORMER, 10 VA		
7	420HA	RELAY BASE	1	1
8	420HPL022J	RELAY, 120VAC, 2-POLE, LED OPT (ALTERNATE)	1	1
	420HPA022J	RELAY, 120VAC, 2-POLE		
9	Y900027	ENCLOSURE THERMOSTAT	1	1
10	Y780050	HUMIDISTAT	1	0
11	PS-7306	STRIP HEATER, 125W, 120V	SEE NOTE A	
12	PS-7307	STRIP HEATER, 150W, 240V	SEE NOTE A	
13	Y740033	WIRE 14AWG BLACK TYPE SRML AP	AS NEEDED	

A. USE THE QUANTITIES FROM FIGURE A TO FIGURE D

#### \*GENERAL GUIDELINES FOR HEATER MOUNTING

- FOR NEMA 1  
THE HEATER WILL BE MOUNTED 1" BELOW THE NEUTRAL BAR MOUNTING HOLES.
- FOR NEMA 3R  
THE HEATER WILL BE MOUNTED 1/2" ABOVE THE NEUTRAL BAR MOUNTING HOLES.

#### CABINET MOUNTING

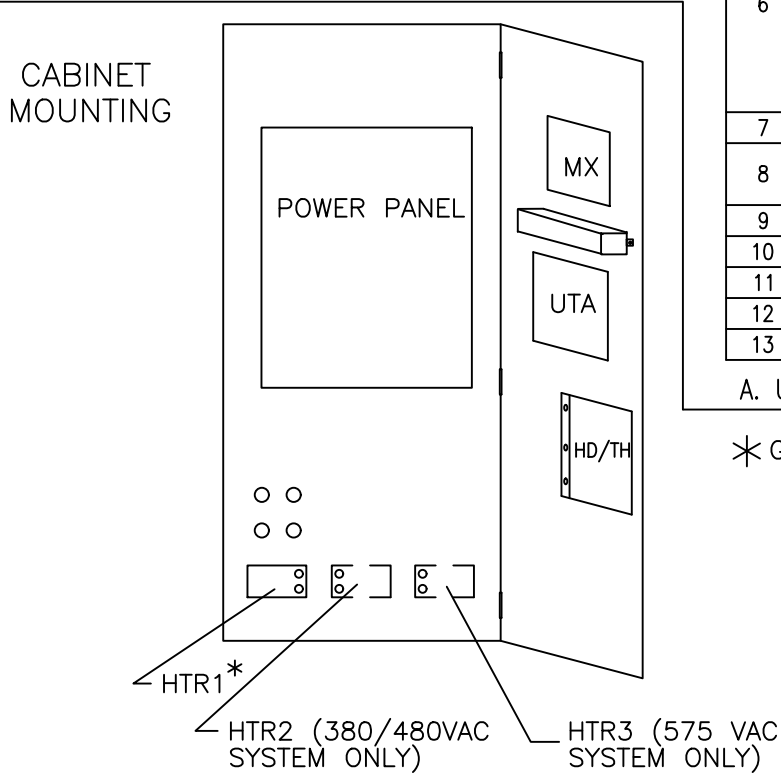


FIG.A (120 VAC SYSTEMS)

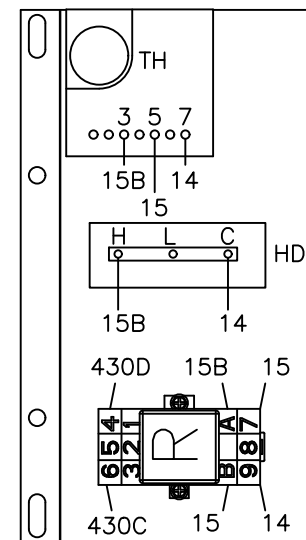
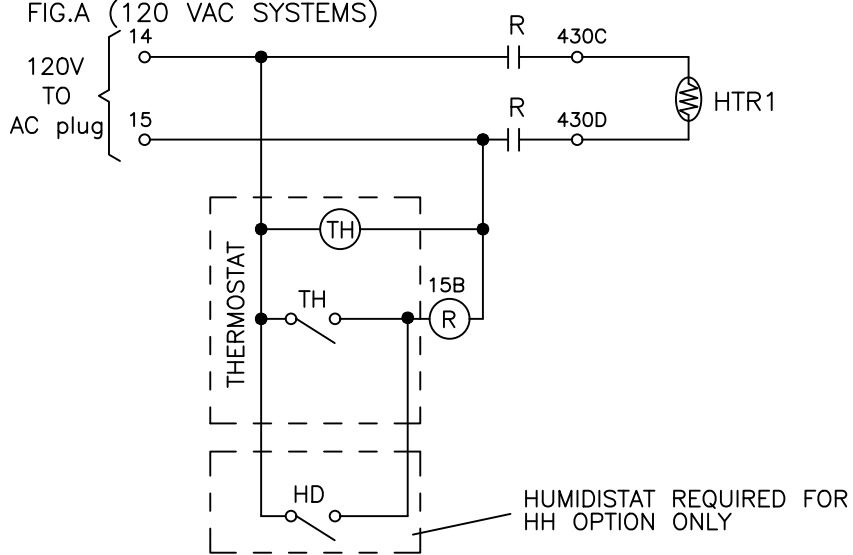
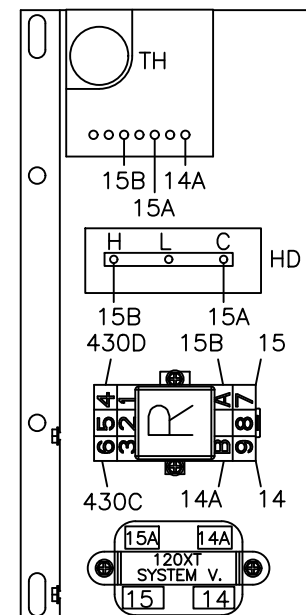
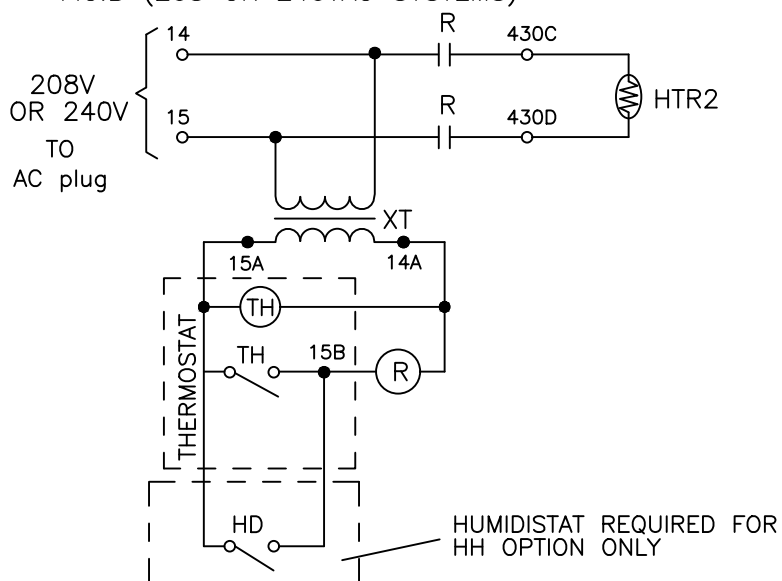


FIG.B (208 OR 240VAC SYSTEMS)



<p>ABB PROPRIETARY AND CONFIDENTIAL INFORMATION</p> <p>The information contained in the document has to be kept strictly confidential. Any unauthorized use, reproduction, distribution or disclosure to third parties is strictly forbidden. ABB reserves all rights regarding Intellectual Property Rights. Copyright 2018 ABB. All rights reserved.</p> <p>THIRD ANGLE PROJECTION</p>	<p>FOR ADDITIONAL INFO REFER TO</p> <p>APPLIED PRACTICES</p> <p>UNLESS OTHERWISE SPECIFIED DIMENSIONS ARE IN INCHES</p> <p>TOLERANCES ON:</p> <p>2 PL. DECIMALS ± .020</p> <p>3 PL. DECIMALS ± .005</p> <p>ANGLES ± 1°</p> <p>FRACTIONS ± 1/64</p> <p>FINISH</p> <p>AutoCad Generated</p>	<p>SIGNATURES</p> <p>MODEL MAS</p> <p>DETAIL</p> <p>CHECKED</p> <p>ENGRG VZ</p> <p>MFG</p> <p>QUALITY</p> <p>ISSUED</p> <p>DRAWING FILE: 91r-2008.dwg</p> <p>MODEL / ASSEMBLY FILE: ZTE/ZBTE 40-3000 AMPS</p> <p># CTQs</p>	<p>DATE</p> <p>03/12/08</p>	<p>TITLE</p> <p>HEATER, THERMOSTAT &amp; HUMIDISTAT</p> <p>FIRST MADE FOR: ZTE 40-3000AMP</p> <p>SIZE B</p> <p>CAGE CODE</p> <p>DWG NO 91R-2008</p> <p>SCALE: NA</p> <p>SHEET 1 OF 2</p>	
	<p>ABB PROPRIETARY AND CONFIDENTIAL INFORMATION</p>	<p>UNLESS OTHERWISE SPECIFIED DIMENSIONS ARE IN INCHES</p>	<p>DETAIL</p>	<p>DATE</p>	<p>ABB</p>
	<p>THIRD ANGLE PROJECTION</p>	<p>TOLERANCES ON:</p>	<p>CHECKED</p>	<p>DATE</p>	<p>HEATER, THERMOSTAT &amp; HUMIDISTAT</p>
	<p>THIRD ANGLE PROJECTION</p>	<p>FINISH</p>	<p>ISSUED</p>	<p>DATE</p>	<p>HEATER, THERMOSTAT &amp; HUMIDISTAT</p>



FIG.C (380 OR 480 VAC SYSTEMS)

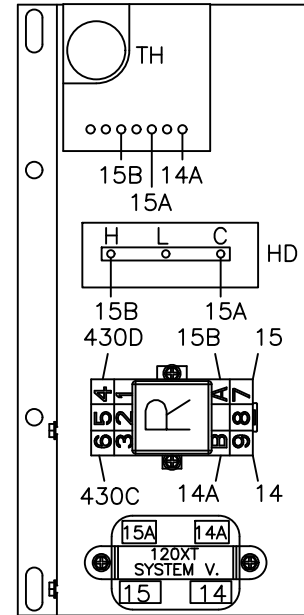
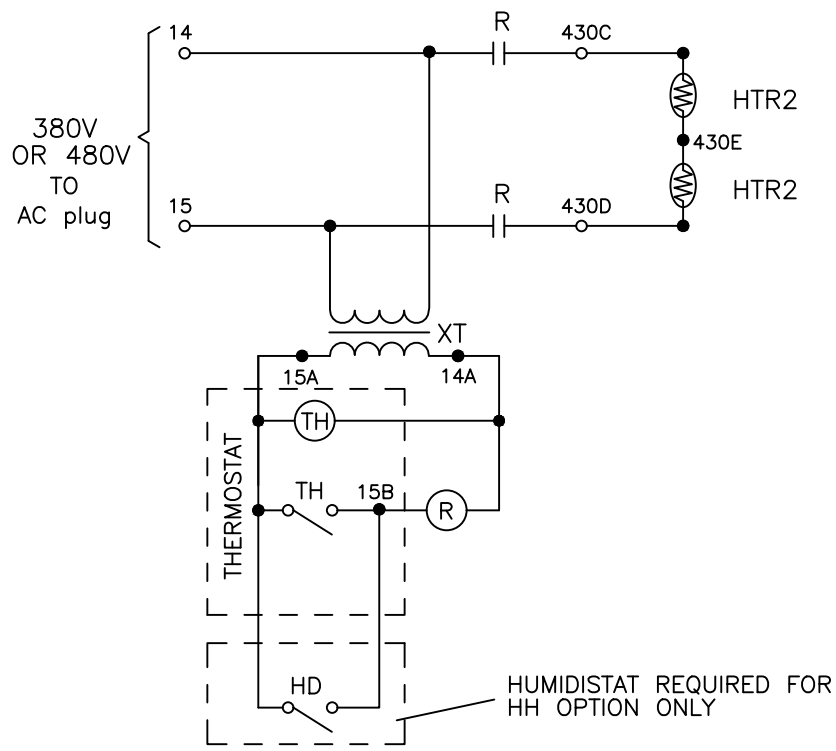
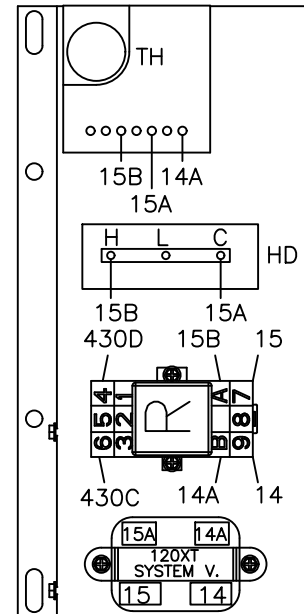
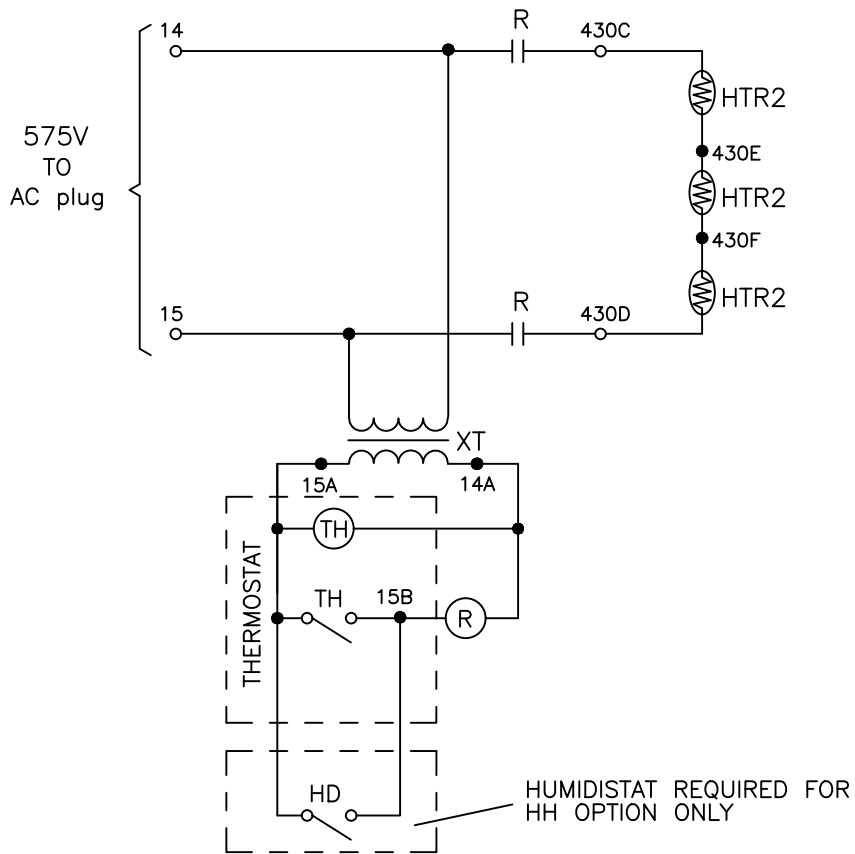


FIG.D (575 VAC SYSTEMS)




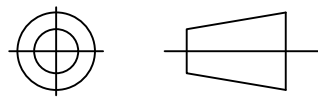
OPERATION:

Thermostat(TH): When (TH) temperature in cabinet drops below thermostat setpoint, heater is turned "ON". Above set point, heater turns "OFF".

Humidistat(HD): When humidity in cabinet exceeds humidistat set point, heater is turned "ON". Below set point, heater turns "OFF"

NOTES:

1. Thermostat factory set at 10°C (50°F) unless otherwise specified.
2. Humidistat factory set at 30%RH unless otherwise specified.
3. Use wire (Y740033) for heater wiring (430C, 430D to heater strip(s)).

ABB PROPRIETARY AND CONFIDENTIAL INFORMATION The information contained in the document has to be kept strictly confidential. Any unauthorized use, reproduction, distribution or disclosure to third parties is strictly forbidden. ABB reserves all rights regarding Intellectual Property Rights. Copyright 2018 ABB. All rights reserved.	FOR ADDITIONAL INFO REFER TO	SIGNATURES	DATE	 TITLE HEATER, THERMOSTAT AND HUMIDISTAT FIRST MADE FOR: ZTE/ZBTE 40-3000AMP	
	APPLIED PRACTICES	MODEL MAS	03/12/08		
	UNLESS OTHERWISE SPECIFIED DIMENSIONS ARE IN INCHES	DETAIL			
	TOLERANCES ON:	CHECKED			
2 PL. DECIMALS ± .020	ENGRG VZ			SIZE B CAGE CODE DWG NO 91R-2008	
3 PL. DECIMALS ± .005	MFG				
ANGLES ± 1°	QUALITY			SCALE: NA SHEET 2 OF 2	
FRACTIONS ± 1/64	ISSUED				
THIRD ANGLE PROJECTION	FINISH ✓	DRAWING FILE: 91r-2008.dwg			
	AutoCad Generated	MODEL / ASSEMBLY FILE:	# CTQs	CRITICAL TO QUALITY CHARACTERISTIC SCALE: NA SHEET 2 OF 2	