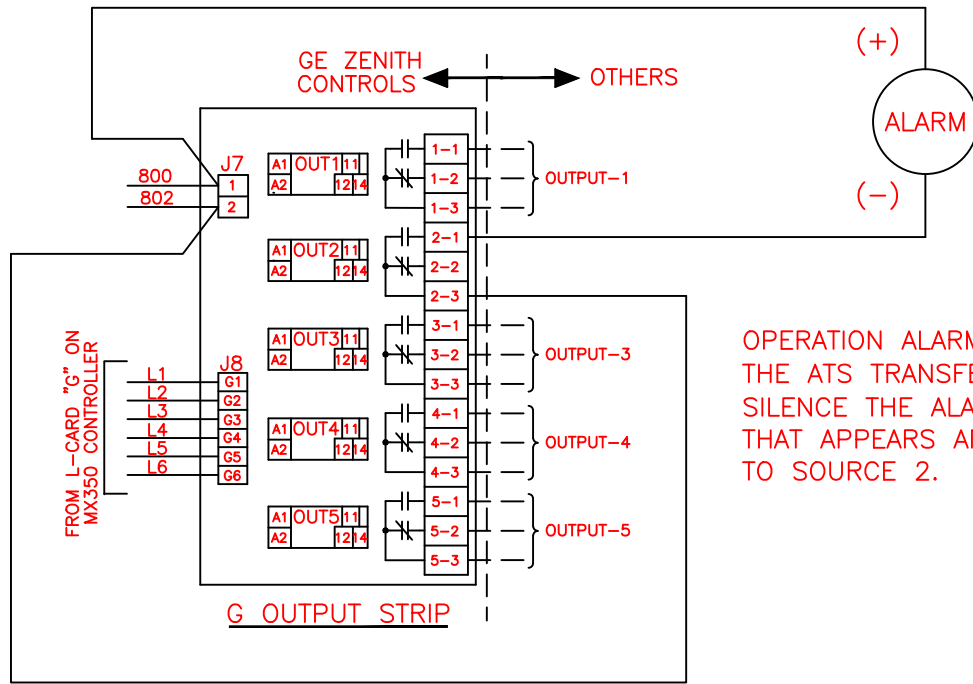


REVISIONS			
REV.	DESCRIPTION	DATE	APPROVED
1	C076422	09/05/19	AR MAS

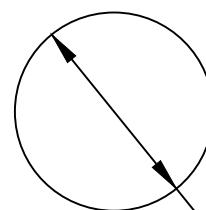
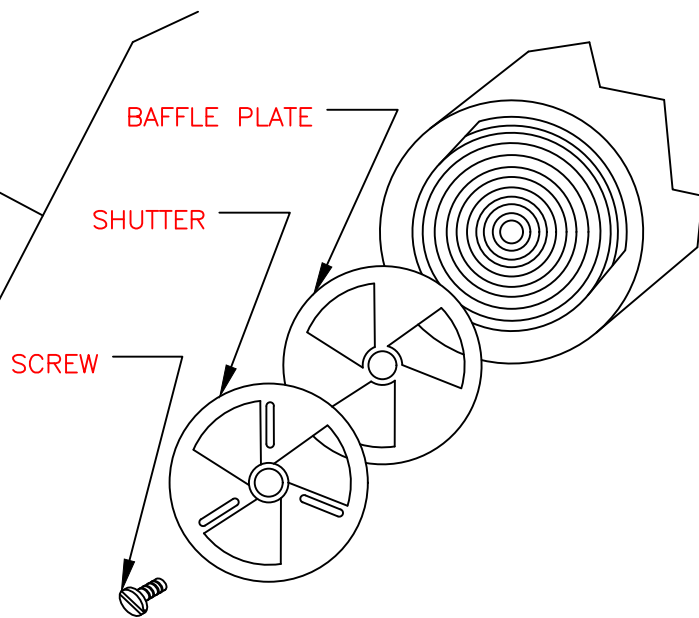
THIS DIAGRAM FOR USE WITH ALL NON-CLOSE TRANSITION CTAP UNITS.



OPERATION ALARM SOUNDS WHEN THE ATS TRANSFERS TO SOURCE 2. SILENCE THE ALARM VIA SCREEN THAT APPEARS AFTER TRANSFERS TO SOURCE 2.

NOTE:
PROGRAM "TRANSFER ALARM" ON .

CONSISTING OF 3 COMPONENT PARTS



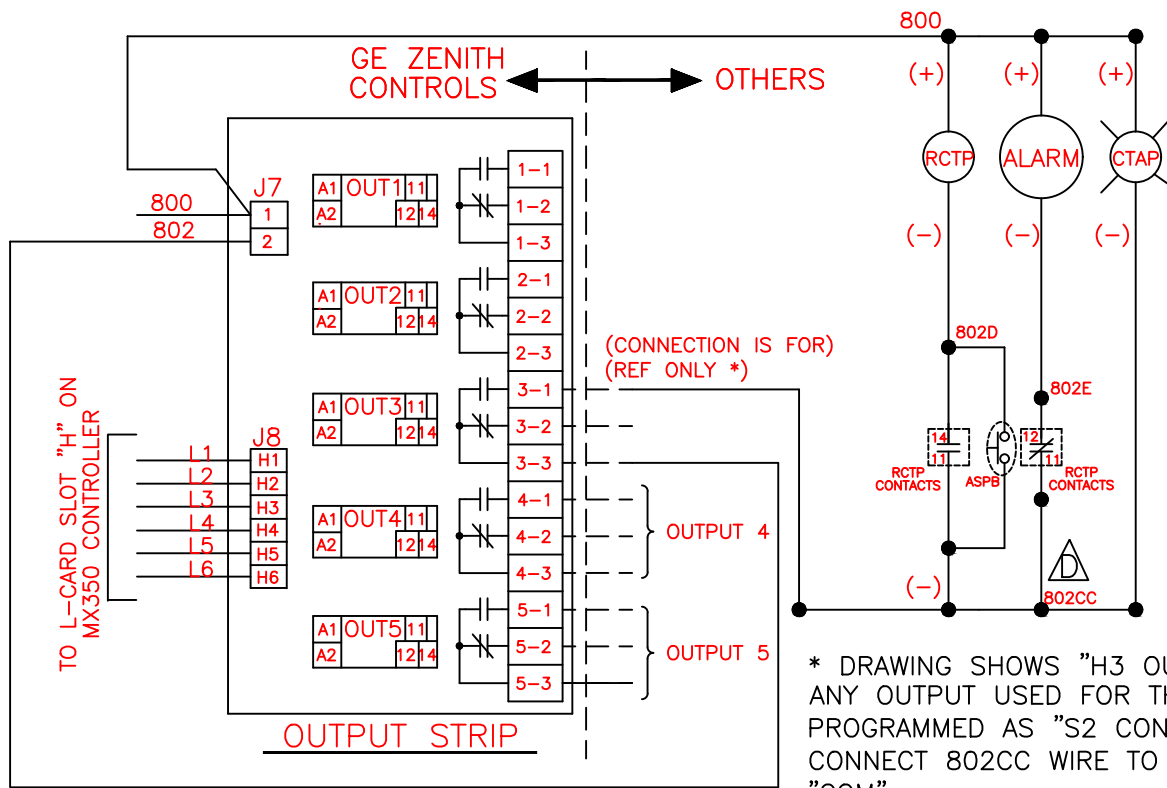
Ø1.125
PUNCHING DIMENSIONS

ALARM.....Y780029
FOR NEMA 3R, 4, 4X, 12 ADD:
BAFFLE PLATE ASSEMBLY: PS-8892
GASKET.....PS-8891

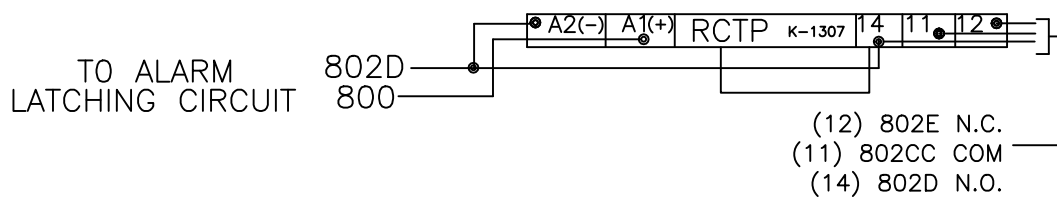
ABB PROPRIETARY AND CONFIDENTIAL INFORMATION The information contained in the document has to be kept strictly confidential. Any unauthorized use, reproduction, distribution or disclosure to third parties is strictly forbidden. ABB reserves all rights regarding Intellectual Property Rights. Copyright 2018 ABB. All rights reserved.	FOR ADDITIONAL INFO REFER TO APPLIED PRACTICES UNLESS OTHERWISE SPECIFIED DIMENSIONS ARE IN INCHES TOLERANCES ON: 2 PL. DECIMALS ± .020 3 PL. DECIMALS ± .005 ANGLES ± 1° FRACTIONS ± 1/64 FINISH ✓	SIGNATURES MODEL GG CHECKED ENGRG CEE MFG QUALITY ISSUED DRAWING FILE: 91r-2013.dwg MODEL / ASSEMBLY FILE: MX350 # CTQs ⊖ CRITICAL TO QUALITY CHARACTERISTIC	DATE 3/12/03 04/04/08	ABB TITLE CTAP ACCESSORY- W/O CTTS FIRST MADE FOR: TRANSFER SWITCHES WITH MX350 CONTROLLER SIZE B CAGE CODE DWG NO 91R-2013 SCALE: NA SHEET 1 OF 2
	THIRD ANGLE PROJECTION 	AutoCad Generated	DRAWING FILE: 91r-2013.dwg MODEL / ASSEMBLY FILE: MX350 # CTQs ⊖ CRITICAL TO QUALITY CHARACTERISTIC	



THIS DIAGRAM FOR USE WITH ALL CLOSE TRANSITION CTAP UNITS.

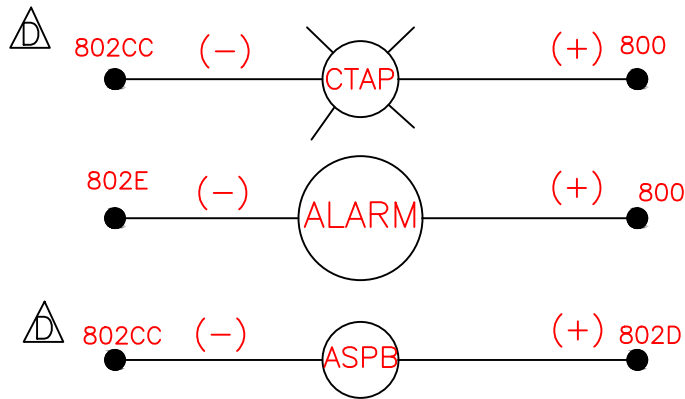


* DRAWING SHOWS "H3 OUTPUT" AS "S2 CONNECTED". ANY OUTPUT USED FOR THIS OPTION MUST BE PROGRAMMED AS "S2 CONNECTED". CONNECT 802CC WIRE TO "NO" CONTACT AND 802 TO "COM".



THIS DIAGRAM FOR USE WITH ALL CLOSE TRANSITION CTAP UNITS.

DOOR PILOT DEVICES



Chicago Transit Alarm Option

CTAP Legend:

- AlarmY780029
- Baffle PlatePS-8892
- GasketPS-8891
- Pilot Light.....PS-5130
- RCTP Relay.....K-1307
- ASPB.....P9XPNNC
- N.O. CONTACT BLOCK.....P9B10VN
- N.C. CONTACT BLOCK.....P9B01VN
- CTAP ALARM Nameplate.....V-2285
- CTAP ALARM SILENCE Nameplate...V-2286

Use the alarm assembly diagram on sheet 1 for the assembly of the alarm and gaskets.

Operation:

The CTAP alarm sounds when the ATS transfers to source 2. The alarm can be silenced via the alarm silence push button located on front door.

ABB PROPRIETARY AND CONFIDENTIAL INFORMATION The information contained in the document has to be kept strictly confidential. Any unauthorized use, reproduction, distribution or disclosure to third parties is strictly forbidden. ABB reserves all rights regarding Intellectual Property Rights. Copyright 2018 ABB. All rights reserved.	FOR ADDITIONAL INFO REFER TO APPLIED PRACTICES UNLESS OTHERWISE SPECIFIED DIMENSIONS ARE IN INCHES TOLERANCES ON: 2 PL. DECIMALS ± .020 3 PL. DECIMALS ± .005 ANGLES ± 1' FRACTIONS ± 1/64 FINISH ✓	SIGNATURES MODEL GG CHECKED ENGRG CEE MFG QUALITY ISSUED DRAWING FILE: 91r-2013.dwg MODEL / ASSEMBLY FILE: MX350 # CTQs ⊖ CRITICAL TO QUALITY CHARACTERISTIC	DATE 3/12/03 04/04/08	<p>TITLE CTAP ACCESSORY W/ CTTS</p> <p>FIRST MADE FOR: TRANSFER SWITCHES WITH MX350 CONTROLLER</p> <p>SIZE B CAGE CODE DWG NO 91R-2013</p> <p>SCALE: NA SHEET 2 of 2</p>	
	THIRD ANGLE PROJECTION 	AutoCad Generated	DRAWING FILE: 91r-2013.dwg MODEL / ASSEMBLY FILE: MX350		SIZE B CAGE CODE DWG NO 91R-2013
	THIRD ANGLE PROJECTION 	AutoCad Generated	DRAWING FILE: 91r-2013.dwg MODEL / ASSEMBLY FILE: MX350		SIZE B CAGE CODE DWG NO 91R-2013
	THIRD ANGLE PROJECTION 	AutoCad Generated	DRAWING FILE: 91r-2013.dwg MODEL / ASSEMBLY FILE: MX350		SIZE B CAGE CODE DWG NO 91R-2013

