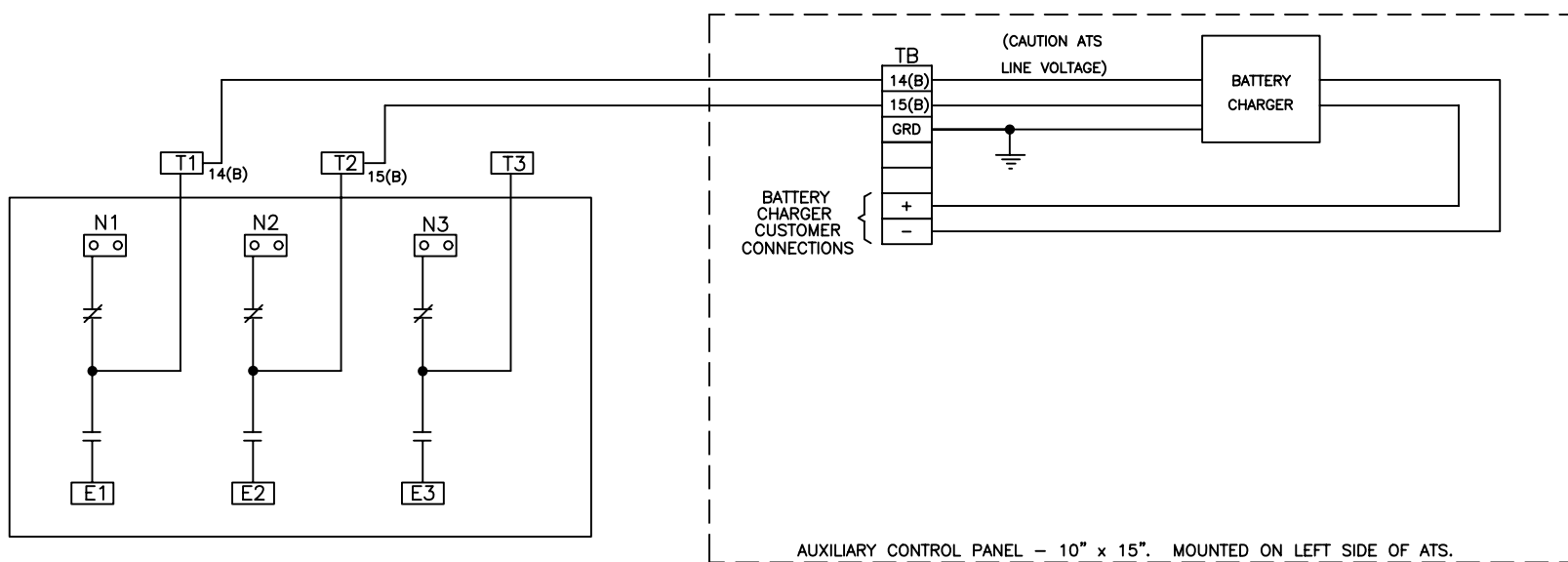


REVISIONS			
REV.	DESCRIPTION	DATE	APPROVED
A	S-8713-4 ESTABLISH DRAWING	03/12/08	GG CEE

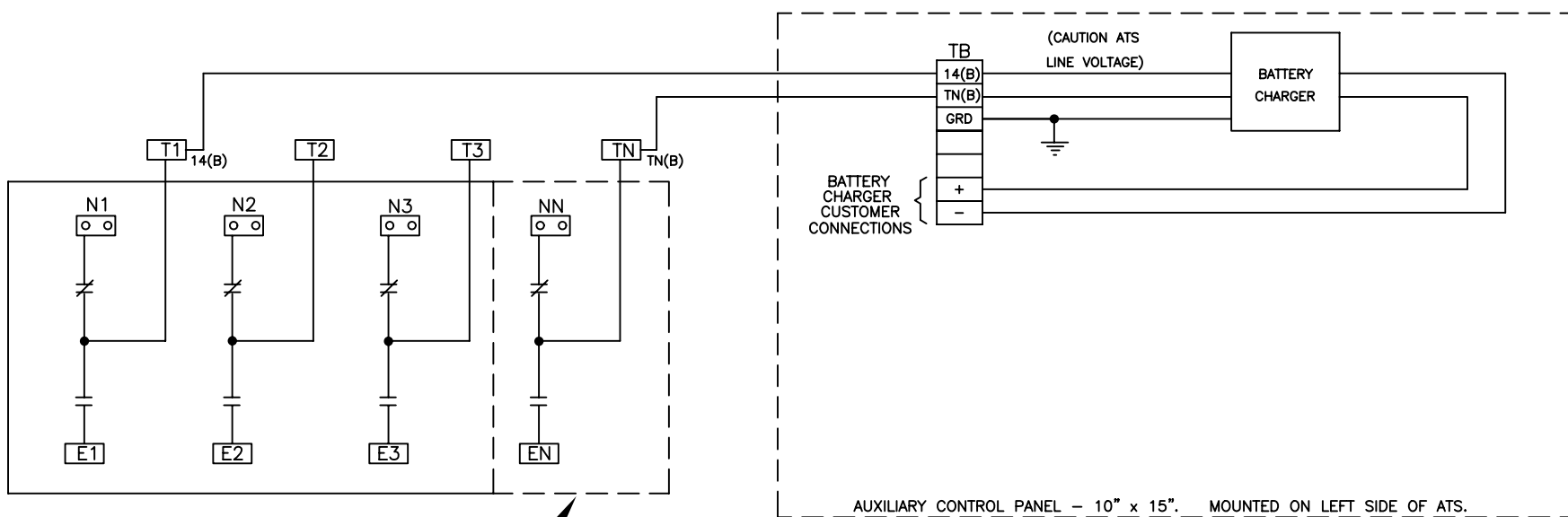
SCHMATIC: 120 Volt LINE TO LINE CONNECTIONS

POWER PANEL



SCHMATIC: 120/208 or 208/240 LINE TO NEUTRAL CONNECTIONS

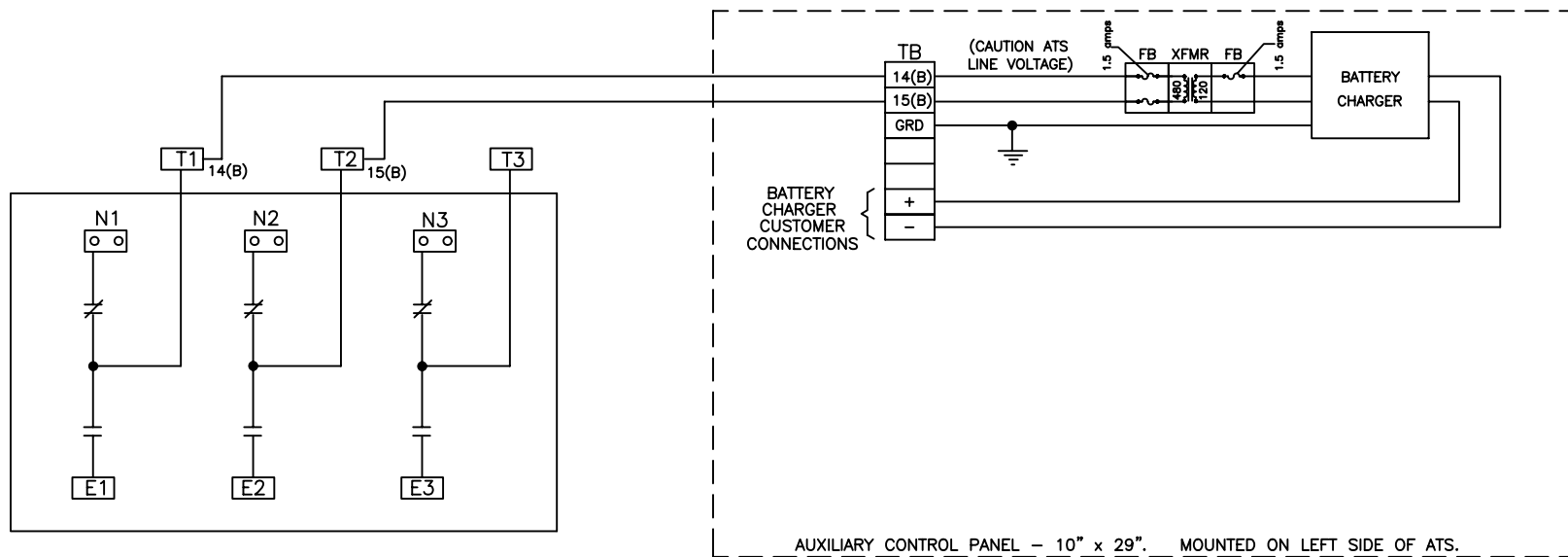
POWER PANEL



Neutral - Fixed or switched.

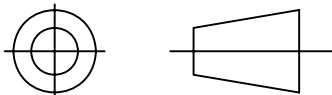
SCHMATIC: LINE TO LINE 480 VOLT CONNECTIONS.

POWER PANEL



GE PROPRIETARY AND CONFIDENTIAL INFORMATION  
This document is the property of General Electric ("GE") and contains proprietary information of GE. This document is loaned on the express condition that neither it nor the information contained therein shall be disclosed to others without the express written consent of GE Industrial Systems, and that the information shall be used by the recipient only as approved expressly by GE Industrial Systems. This document shall be returned to GE upon its request. This document may be subject to certain restrictions under U.S. export controls laws and regulations.

THIRD ANGLE PROJECTION



FOR ADDITIONAL INFO REFER TO  
APPLIED PRACTICES  
UNLESS OTHERWISE SPECIFIED DIMENSIONS ARE IN INCHES  
TOLERANCES ON:  
2 PL. DECIMALS ± .020  
3 PL. DECIMALS ± .005  
ANGLES ± 1°  
FRACTIONS ± 1/64  
FINISH ✓

AutoCad Generated

SIGNATURES		DATE
MODEL	MAS	06/06/05
DETAIL		
CHECKED		
ENGRG	CEE	
MFG		
QUALITY		
ISSUED		
DRAWING FILE:	91R-2087-a-1.dwg	
MODEL / ASSEMBLY FILE:	ZTE40-4000	
# CTQs	⊖	CRITICAL TO QUALITY CHARACTERISTIC

**GE Zenith Controls**

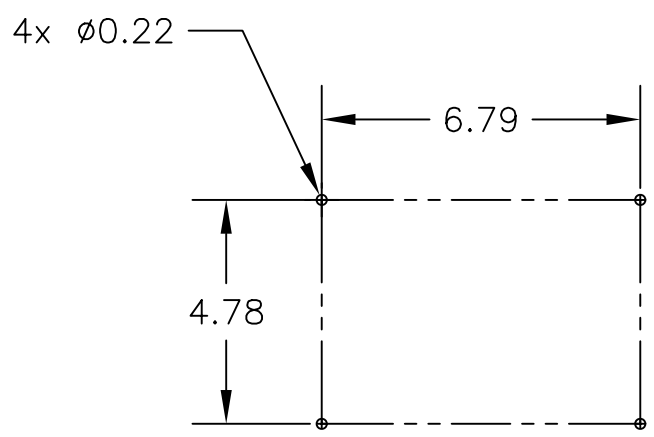
TITLE  
**ZTE BATTERY CHARGER OPTION.**

FIRST MADE FOR: ZTE

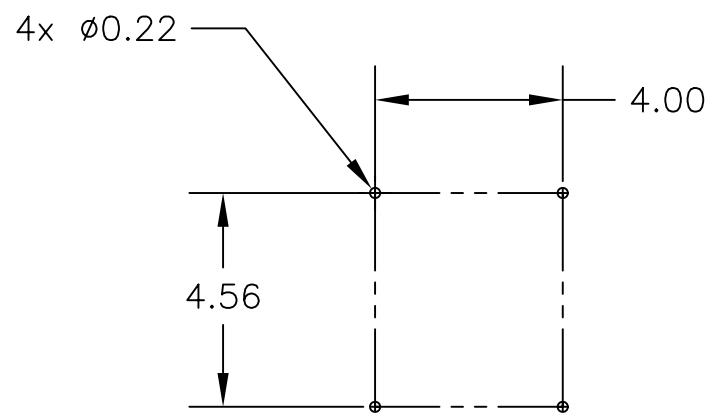
SIZE	CAGE CODE	DWG NO
B		91R-2087

SCALE: NA SHEET 1 OF 3

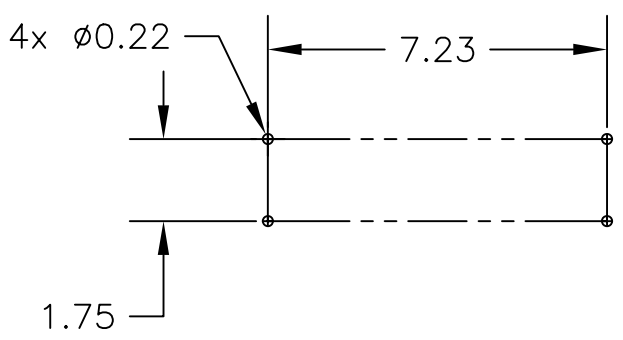
REVISIONS			
REV.	DESCRIPTION	DATE	APPROVED
A	S-8713-4 ESTABLISH DRAWING	07/30/08	GG CEE



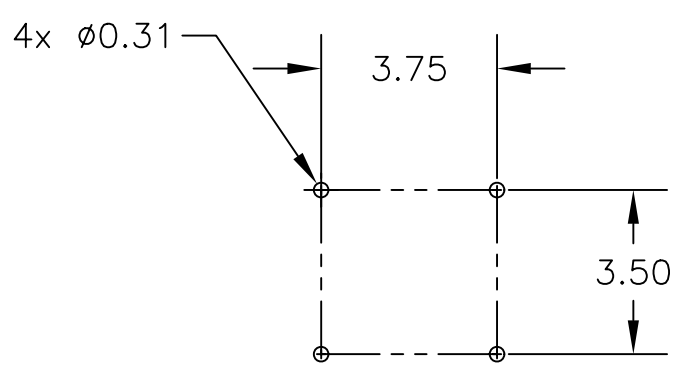
Mounting pattern for 24 VDC-10 amp charger.



Mounting pattern for 12 VDC-6 amp charger.  
Mounting pattern for 24 VDC-3 amp charger.



Mounting pattern for 12 VDC-10 amp charger.



Mounting pattern for 480/120 Vac transformer.

## BATTERY CHARGER AND TRANSFORMER MOUNTING PATTERNS.

### LEGEND

- XFMR.....TRANSFORMER - 500 VA. 480/120 Vac.....9T58K2810G38. HV applications only. See order. (1)
- BC12-6.....BATTERY CHARGER. 12VDC - 6 AMP.....K-4102. (1) (Use for 2 amp applications.)
- BC24-3.....BATTERY CHARGER. 24VDC - 3 AMP.....K-4104. (1) (Use for 2 amp applications.)
- BC12-10.....BATTERY CHARGER. 12VDC - 10 AMP.....K-4105. (1)
- BC24-10.....BATTERY CHARGER. 24VDC - 10 AMP.....K-4106. (1)
- TERMINAL BLOCK. 7 POINT. HIGH....PS-1793. (1)
- FUSES 600Vac. 1.5 AMPS.....ATQR1-1/2. (2)
- Auxiliary panel. 10" x 15".....50H-1035. See order. (1)
- Auxiliary panel. 10" x 29".....50H-1034. HV applications only. See order. (1)
- Auxiliary panel shock mounts.....PS-3579. (4)

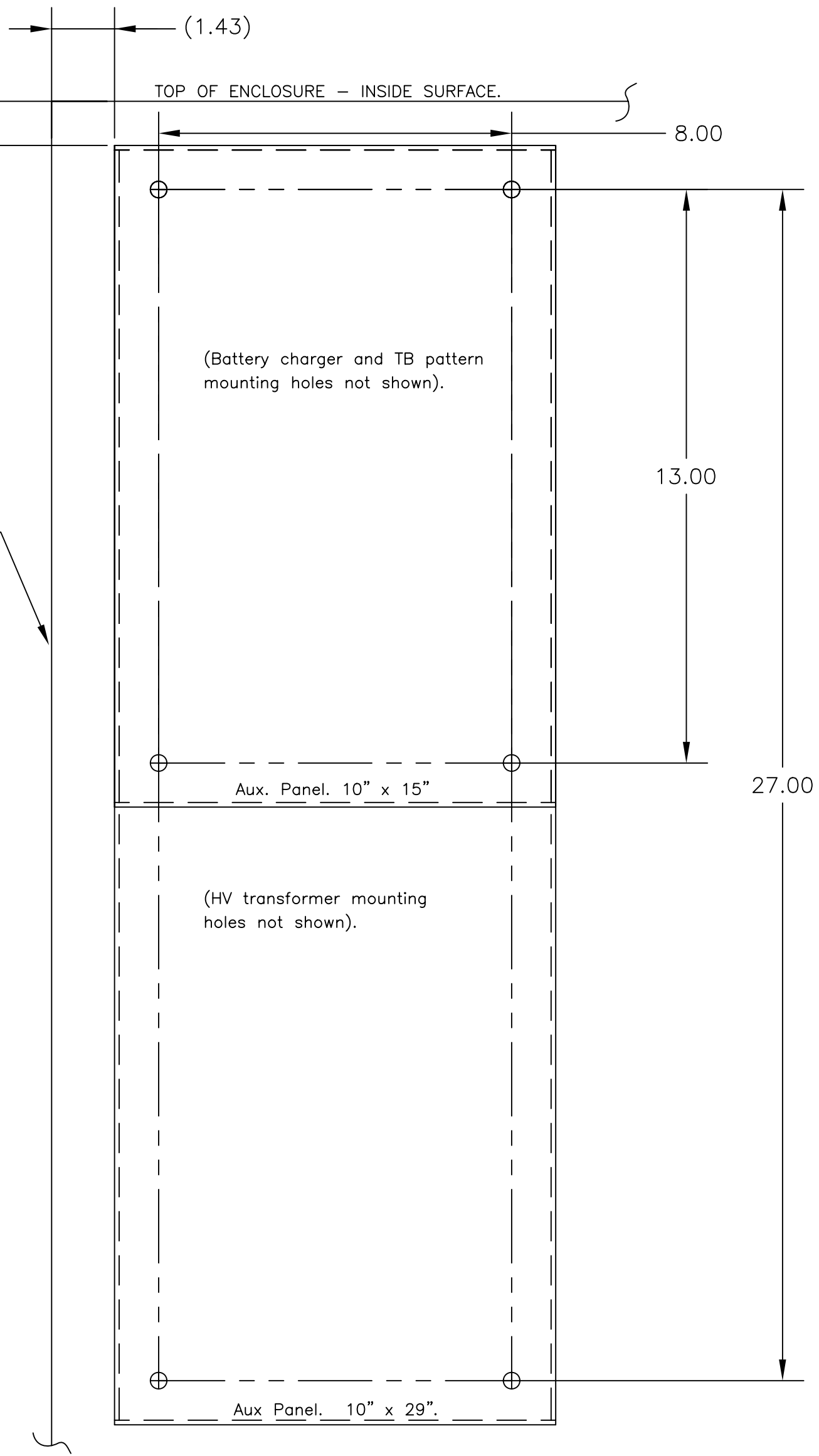
Note: For the alarm contact option, refer to one of the following drawing sets.

- 12 volt - 3 amp: 71R-2175
- 12 volt - 10 amp: 71R-2179
- 24 volt - 3 amp: 71R-2178
- 24 volt - 10 amp: 71R-2180

GE PROPRIETARY AND CONFIDENTIAL INFORMATION This document is the property of General Electric ("GE") and contains proprietary information of GE. This document is loaned on the express condition that neither it nor the information contained therein shall be disclosed to others without the express written consent of GE Industrial Systems, and that the information shall be used by the recipient only as approved expressly by GE Industrial Systems. This document shall be returned to GE upon its request. This document may be subject to certain restrictions under U.S. export controls laws and regulations.	FOR ADDITIONAL INFO REFER TO APPLIED PRACTICES UNLESS OTHERWISE SPECIFIED DIMENSIONS ARE IN INCHES TOLERANCES ON: 2 PL. DECIMALS ± .020 3 PL. DECIMALS ± .005 ANGLES ± 1° FRACTIONS ± 1/64 FINISH ✓ AutoCad Generated	SIGNATURES MODEL MAS CHECKED ENGRG CEE MFG QUALITY ISSUED DRAWING FILE: 91R-2087-a-1.dwg MODEL / ASSEMBLY FILE: ZTE40-4000 # CTQs CRITICAL TO QUALITY CHARACTERISTIC	DATE 06/06/05 FIRST MADE FOR: ZTE SIZE B SCALE: NA	<b>GE Zenith Controls</b> TITLE <b>ZTE BATTERY CHARGER OPTION</b> CAGE CODE DWG NO <b>91R-2087</b> SHEET 2 OF 3
	THIRD ANGLE PROJECTION 			
				SHEET 2 OF 3

REVISIONS			
REV.	DESCRIPTION	DATE	APPROVED
A	S-8713-4 ESTABLISH DRAWING	03/12/08	GG CEE

(1.00)  
 Note: Vertical dimension applies to F-14 and F-17 units only. All large amp units are subject to location based on space availability.



Inside view - Left wall.

GE PROPRIETARY AND CONFIDENTIAL INFORMATION <small>This document is the property of General Electric ("GE") and contains proprietary information of GE. This document is loaned on the express condition that neither it nor the information contained therein shall be disclosed to others without the express written consent of GE Industrial Systems, and that the information shall be used by the recipient only as approved expressly by GE Industrial Systems. This document shall be returned to GE upon its request. This document may be subject to certain restrictions under U.S. export controls laws and regulations.</small>	FOR ADDITIONAL INFO REFER TO APPLIED PRACTICES <small>UNLESS OTHERWISE SPECIFIED DIMENSIONS ARE IN INCHES</small>	SIGNATURES MODEL MAS DATE 06/06/05	<b>GE Zenith Controls</b> TITLE <b>ZTE BATTERY CHARGER OPTION</b> FIRST MADE FOR: ZTE SIZE B CAGE CODE DWG NO 91R-2087	
	TOLERANCES ON: 2 PL. DECIMALS ± .020 3 PL. DECIMALS ± .005 ANGLES ± 1° FRACTIONS ± 1/64	CHECKED ENGRG CEE MFG QUALITY ISSUED		SCALE: NA SHEET 3 OF 3
	FINISH ✓ AutoCad Generated	DRAWING FILE: 91R-2087-a-1.dwg MODEL / ASSEMBLY FILE: ZTE40-4000 # CTQs CRITICAL TO QUALITY CHARACTERISTIC		
	THIRD ANGLE PROJECTION 			