

We reserve all rights in this document and in the information contained therein. Reproduction, use or disclosure to third parties without express authority is strictly forbidden. © Copyright 2014 ABB.

FIGURE A

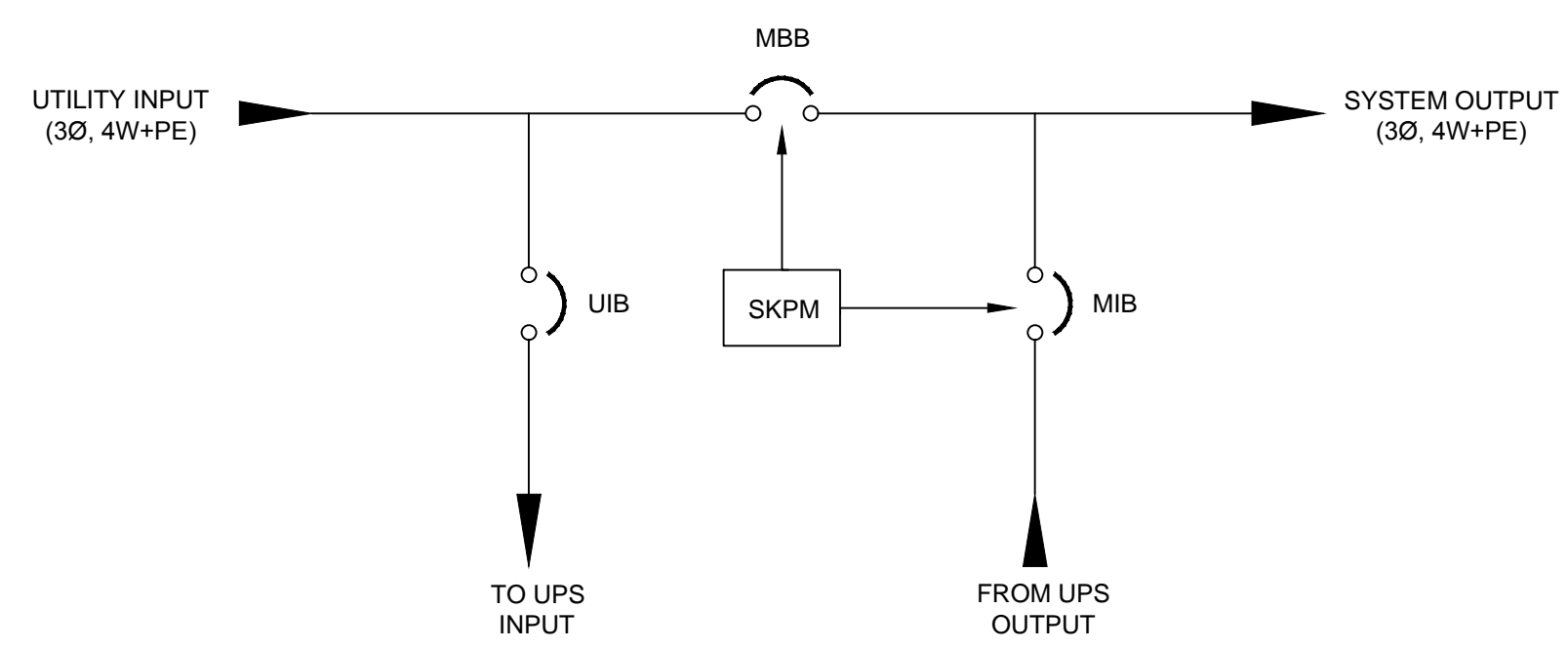


FIGURE B

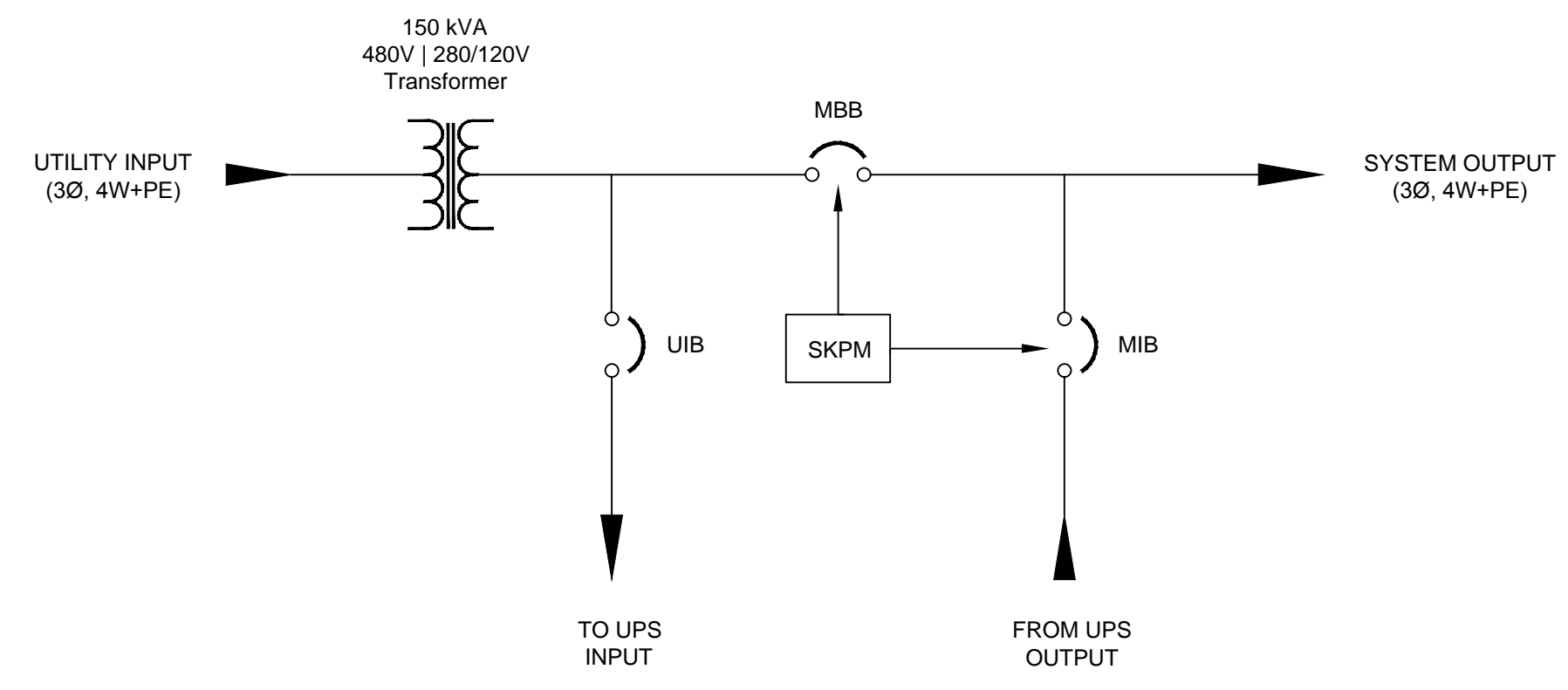


FIGURE C

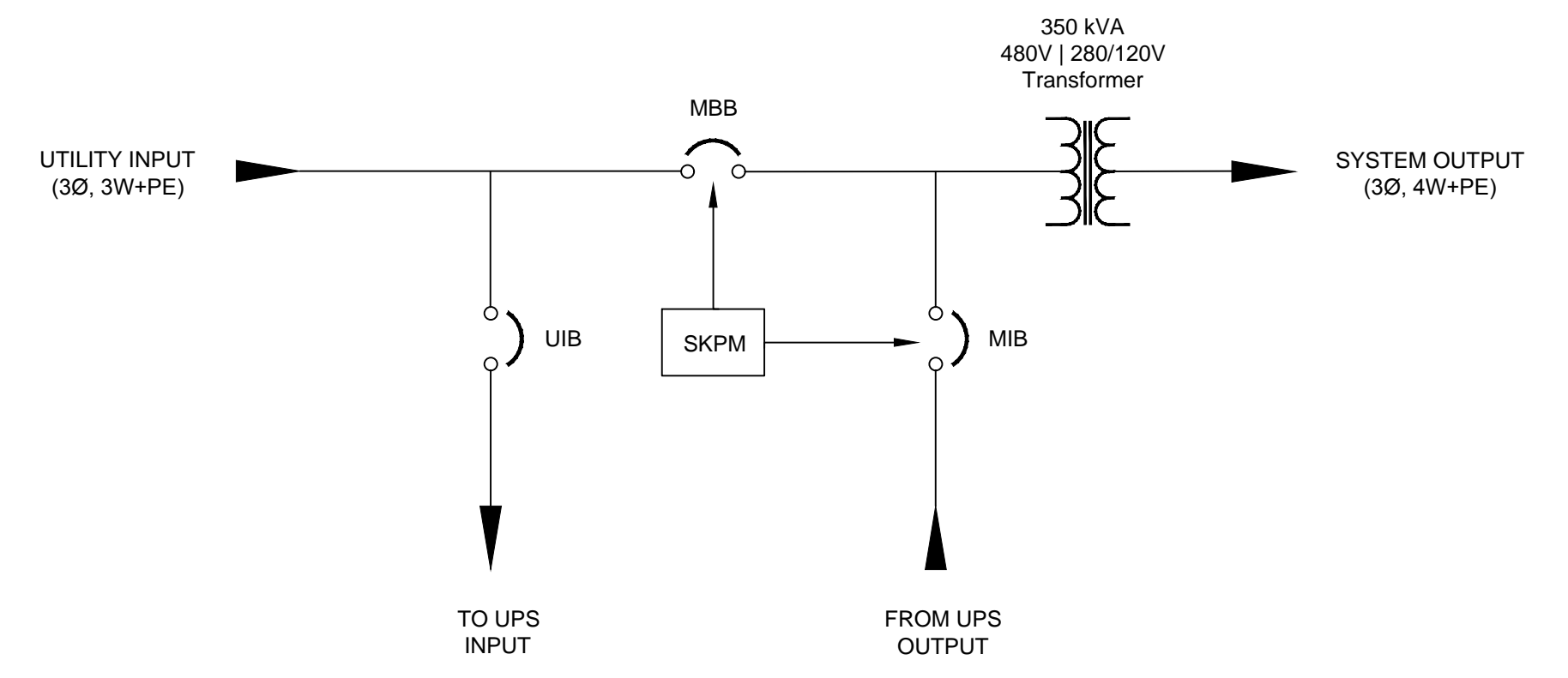


FIGURE D

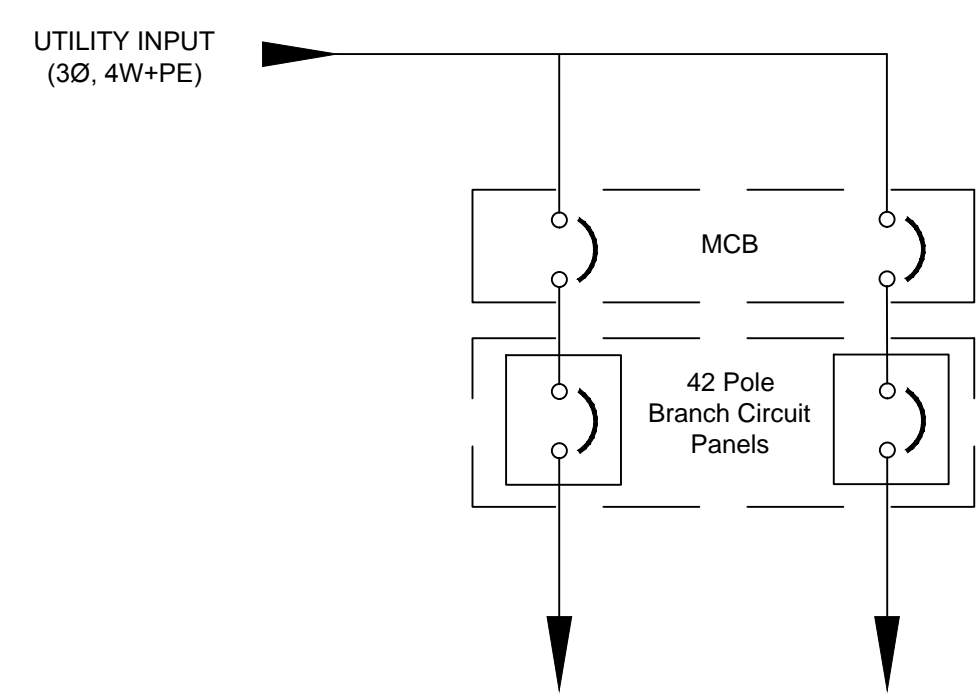


FIGURE E

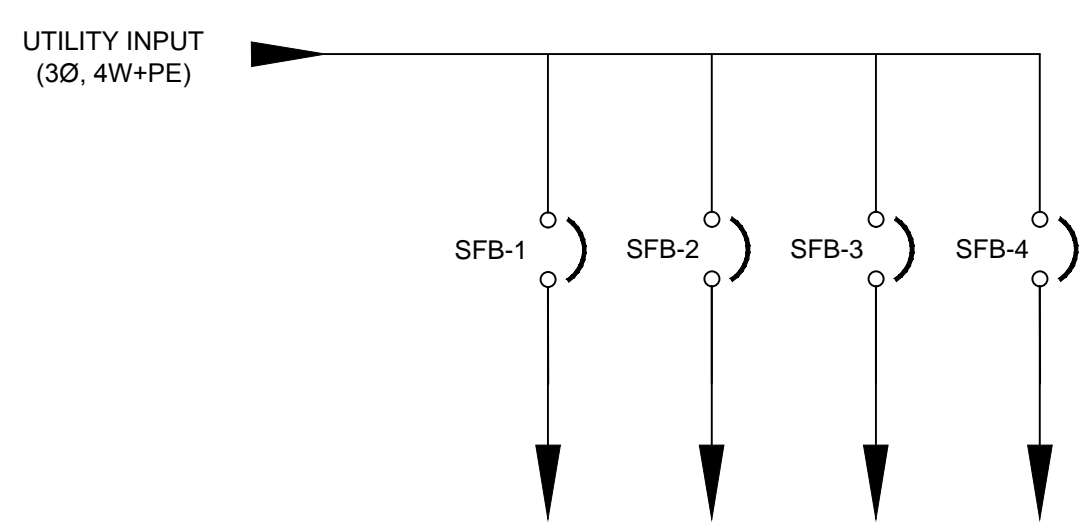


FIGURE F

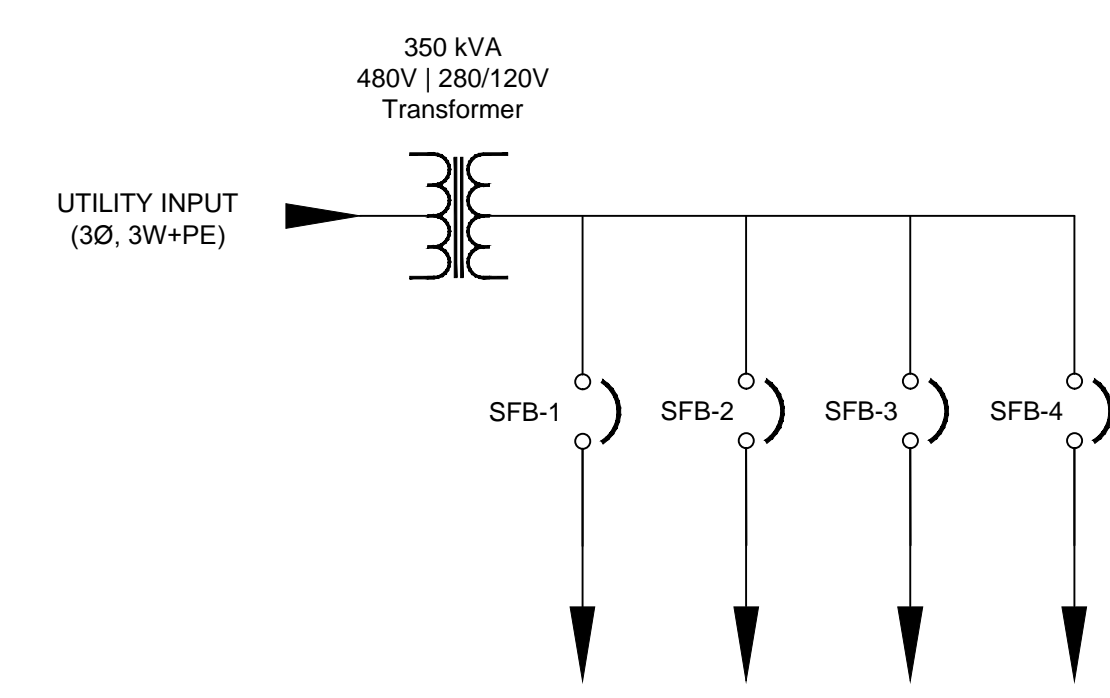
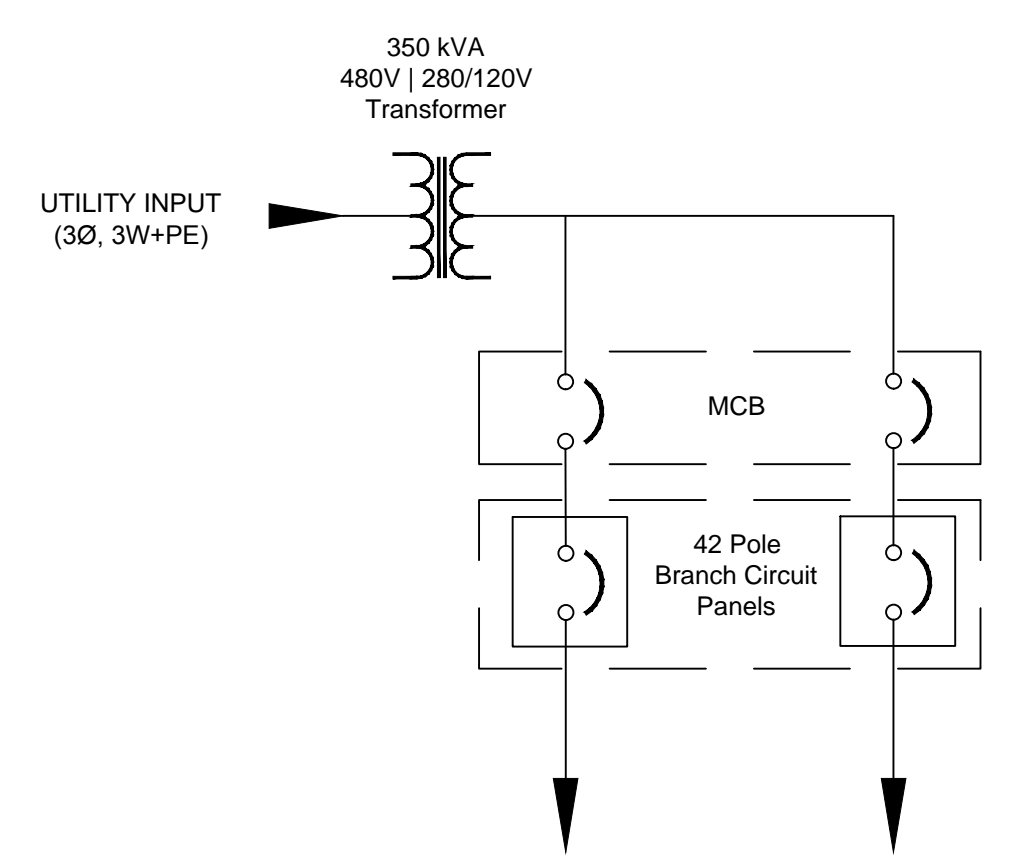


FIGURE G



- NOTES:**
1. UPS INPUT BREAKER (UIB)
 2. MAINTENANCE BYPASS BREAKER (MBB)
 3. MAINTENANCE ISOLATION BREAKER (MIB)
 4. KIRK KEY (OPTIONAL) NOTES
 - 4.1. THE "E" OR "W" NEXT TO THE INTERLOCK INDICATES THE POSITION OF THE MECHANICAL BOLT WHEN THE KEY IS REMOVABLE.
 - 4.2. "E" = EXTENDED
 - 4.3. "W" = WITHDRAWN
 - 4.4. THE KEY (OR KEYS) NEXT TO THE INTERLOCK INDICATES THE KEY NUMBER THAT FUNCTIONS WITH THE INTERLOCK.

Rev.	ECN#	Resp.	Description	Date
A00	--	-	-	5/12/2017

Part must comply with company doc. 94-10-000001. Interpret drawing in accordance with ASME Y14.5-2009.		Document Kind ONELINE	Title DPA ACCESSORY CABINET CONFIGURATIONS (BUYOUT)	Units Inch	Sheet Size D
Tolerance X.XX = ±.030 X.XXX = ±.015 Hole = ±.005 Angle = ±1/2"	Prepared CAB Approved CAB Division/Dept. DMPC/Power Protection	Reference N/A	Item No. 94-7300-00000052 Document ID WRG-00089289	Scale N:N	Date Drawn 5/12/2017 Page 1 / 1

