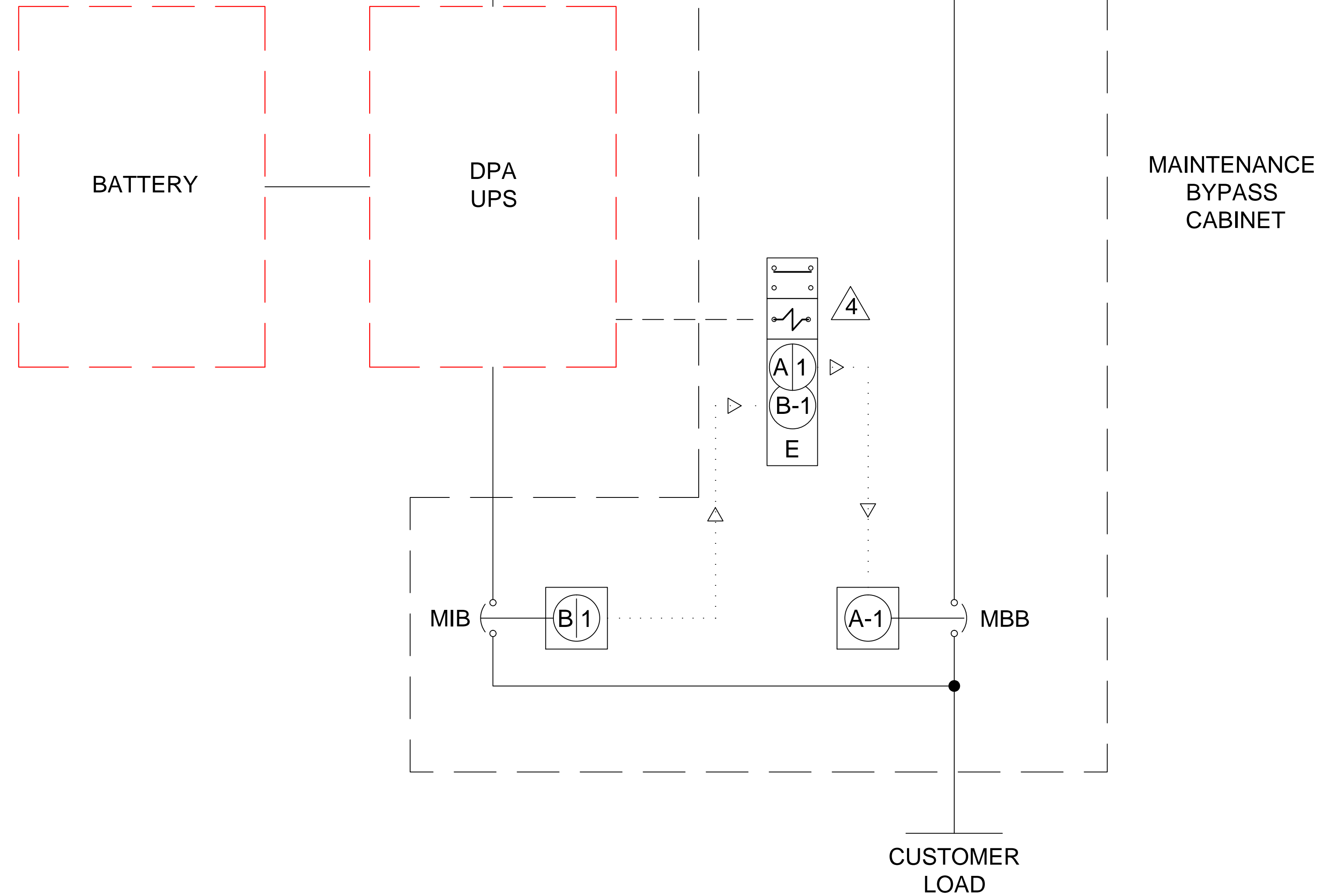


We reserve all rights in this document and in the information contained therein. Reproduction, use or disclosure to third parties without express authority is strictly forbidden. © Copyright 2014 ABB.

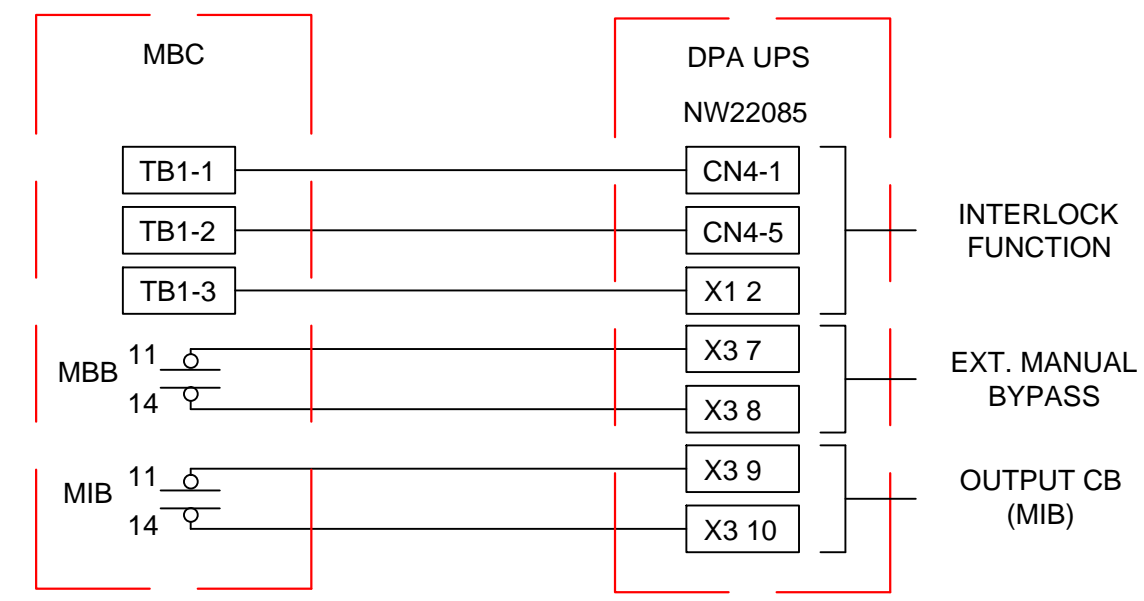
**CIRCUIT BREAKER SUMMARY**

UNIT	DEVICE	MFC	MODEL	TRIP	AIC	ACCESSORIES
DPA 120	UIB	ABB	T5N600BW	MCCB 600A	65k @ 240V	NONE.
DPA 120	MIB, MBB	ABB	T5N600BW	MCCB 600A	65k @ 240V	3A/3B AUX CONTACT
DPA 500 (300kW)	UIB	ABB	T5H600BW	MCCB 600A	65k @ 480V	NONE.
DPA 500 (300kW)	MIB, MBB	ABB	T5H600BW	MCCB 600A	65k @ 480V	3A/3B AUX CONTACT
DPA 500 (300kW)	UIB	ABB	T5L600BW	MCCB 600A	100k @ 480V	NONE.
DPA 500 (300kW)	MIB, MBB	ABB	T5L600BW	MCCB 600A	100k @ 480V	3A/3B AUX CONTACT
DPA 500 (500kW)	UIB	ABB	T6H800DW	MCCB 800A	65k @ 480V	NONE.
DPA 500 (500kW)	MIB, MBB	ABB	T6H800DW	MCCB 800A	65k @ 480V	3A/3B AUX CONTACT
DPA 500 (500kW)	UIB	ABB	T6LQ800TW	MCCB 800A	100k @ 480V	NONE.
DPA 500 (500kW)	MIB, MBB	ABB	T6LQ800TW	MCCB 800A	100k @ 480V	3A/3B AUX CONTACT



**NOTES:**

1. INSTALLATION SHALL COMPLY WITH ALL APPLICABLE NATIONAL, STATE, AND LOCAL CODES.
2. REFER TO PRODUCT DOCUMENTATION FOR ADDITIONAL DETAILS PRIOR TO SITE PREPARATION AND INSTALLATION.
3. POWER WIRE CONNECTIONS TO/FROM EQUIPMENT FURNISHED AND INSTALLED BY OTHERS .
4. KEY INTERLOCKS WITH SKPM SCHEME 39 BETWEEN MIB AND MBB COME STANDARD WITH THE MBC.
5. AC UTILITY SOURCE SHALL BE 480 VAC WYE, 3 WIRE+GROUND (CONTACT FACTORY IF OTHER). VOLTAGE AND DISTRIBUTION FOR DPA 500.
6. AC UTILITY SOURCE SHALL BE 208 VAC WYE, 4 WIRE+GROUND (CONTACT FACTORY IF OTHER). VOLTAGE AND DISTRIBUTION FOR DPA 120.
7. AC CABLING SHALL BE 600V, MINIMUM 75°C RATED.



**DETAIL A**  
MBC / UPS CONTROL WIRE CONNECTION  
DETAIL

THE DRAWINGS AND SPECIFICATIONS CONTAINED HEREIN ARE THE PROPERTY OF ABB AND SHALL NOT BE COPIED, REPRODUCED OR USED IN WHOLE OR IN PART WITHOUT WRITTEN PERMISSION FROM ABB. THIS DRAWING IS BASED ON LATEST AVAILABLE INFORMATION AND IS SUBJECT TO CHANGE WITHOUT NOTICE.

Part must comply with company doc. 94-10-000001. Interpret drawing in accordance with ASME Y14.5-2009.

Tolerance  
X.XX = ±0.30  
X.XXX = ±0.15  
Hole = ±0.05  
Angle = ±1/2°

Prepared  
DES

Approved  
CAB

Division/Dept.  
DMPC/Power Protection

Document Kind  
**Electrical Diagram**

Reference  
N/A

**ABB**

Rev.	ECN#	Resp.	Description	Date
A00	--	DES	RECREATED FROM DRAFT DOCUMENT.	5/31/2017

Revision Table		Units	Sheet Size
Title	DPA PRODUCT FAMILY UPS W/ EXTERNAL MBC CABINET	Inch	D
Scale	N:N		
Item No.	94-7300-00000103	Item Rev.	5/31/2017
Document ID	ONE-00089543	Doc. Rev.	A00
		Page	1 / 1