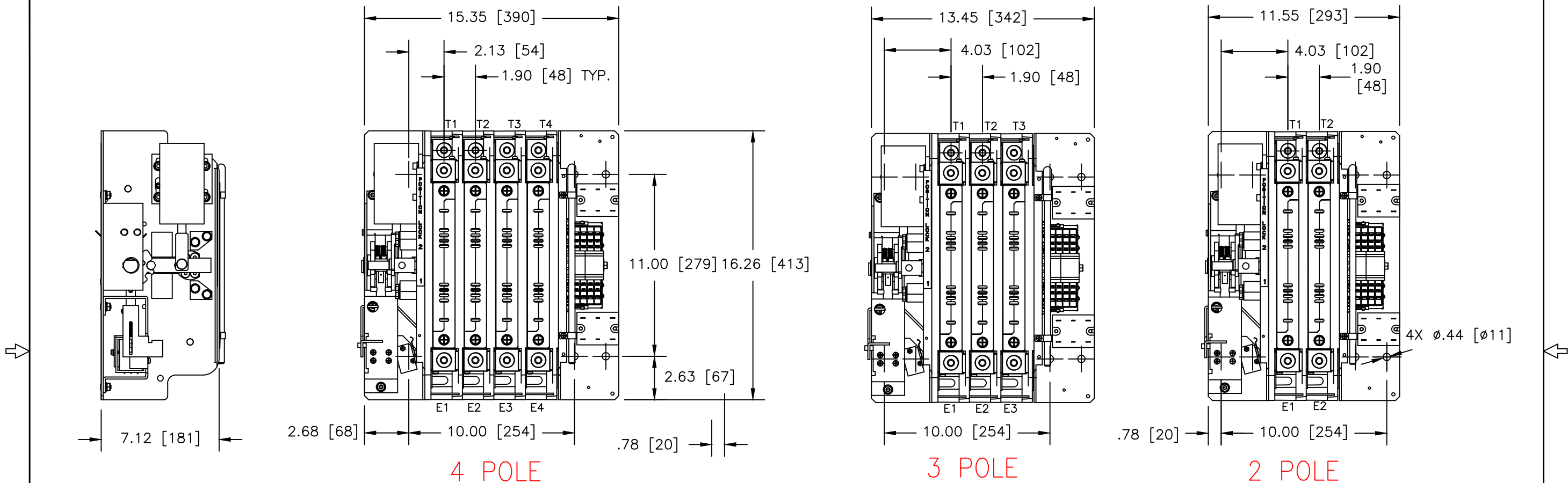


REVISIONS			
REV.	DESCRIPTION	DATE	APPROVED
1	CO76899	UPDATED REBRANDING	10/14/19 AR MAS



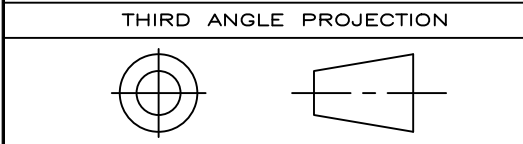
**NOTES:**

- DO NOT RUN CABLES IN FRONT OF SWITCH. RUN ALL CABLES ON THE RIGHT SIDE.
- MAINTAIN ELECTRICAL CLEARANCE OF 1" (25mm) MIN. BETWEEN LIVE METAL PARTS AND GROUNDED METAL.
- ALL DIMENSIONS ARE FOR REFERENCE ONLY AND ARE SHOWN IN INCHES(MILLIMETERS).

		LUG SIZE
40 TO 80A	(QTY 1)	#8- 3/0 (8-85mm <sup>2</sup> )
100 TO 400A	(QTY 1)	#4- 600 MCM (33-304mm <sup>2</sup> )

SIGNATURES	DATE
MODEL GG	02/18/08
DETAIL	
CHECKED	
ENGRG YP	
MFG	
QUALITY	
ISSUED	

<b>ABB</b>		
TITLE ZTED2 40-400 AMP OPEN STYLE SWITCH		
FIRST MADE FOR: ZTED2 40-400 AMP	SIZE B	DWG NO 98C-1011
CAGE CODE	SCALE: N/A	
# CTQs	SHEET 1 OF 2	

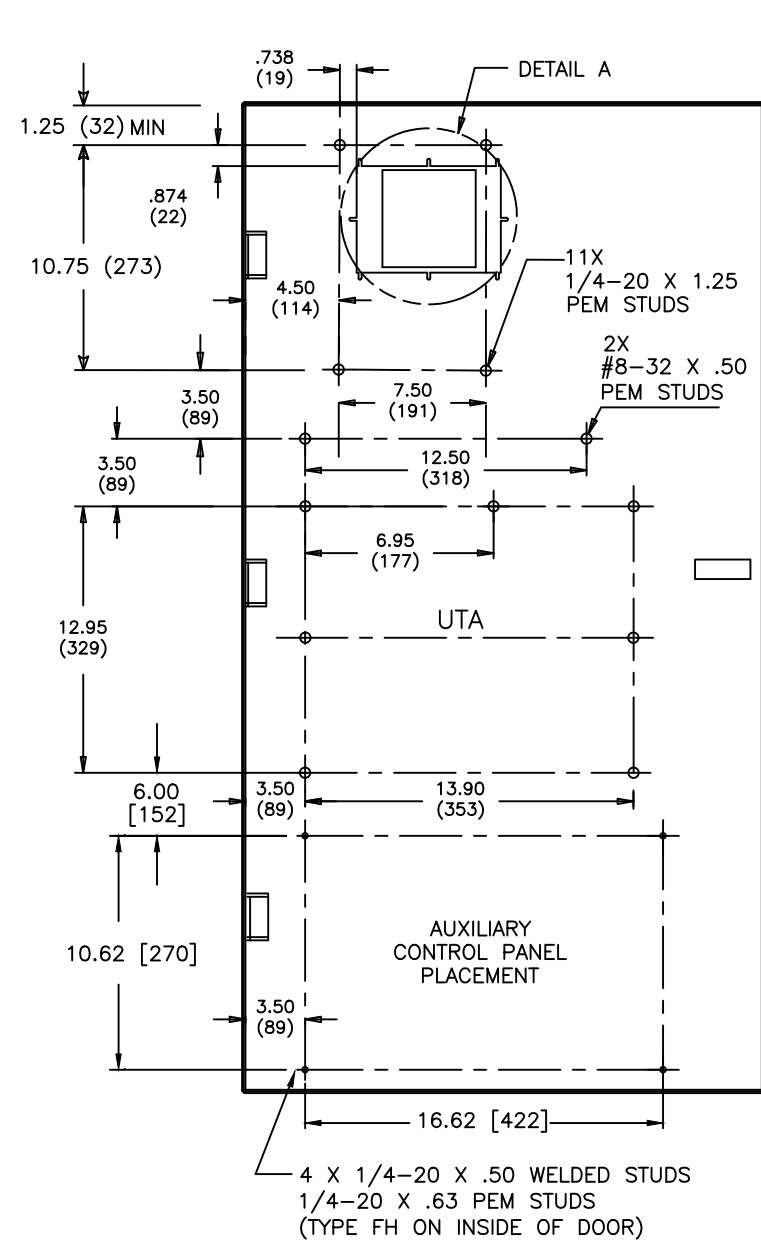


**ABB PROPRIETARY AND CONFIDENTIAL INFORMATION**  
 The information contained in the document has to be kept strictly confidential. Any unauthorized use, reproduction, distribution or disclosure to third parties is strictly forbidden. ABB reserves all rights regarding intellectual Property Rights. Copyright 2018 ABB. All rights reserved.

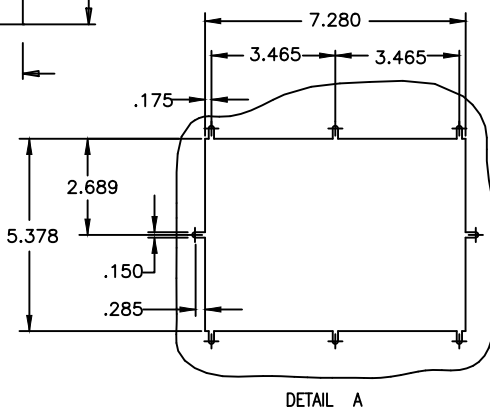
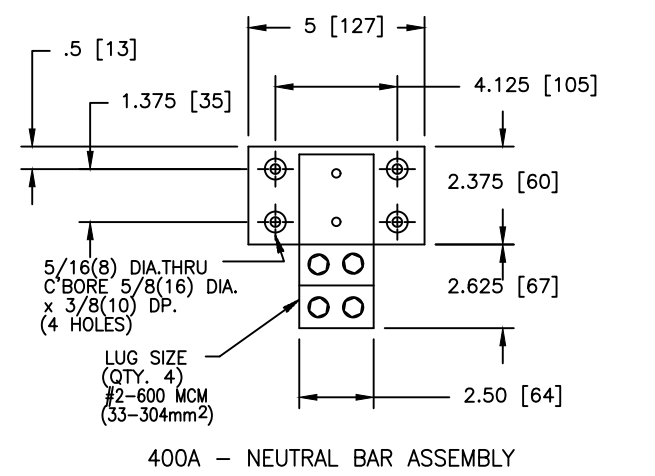
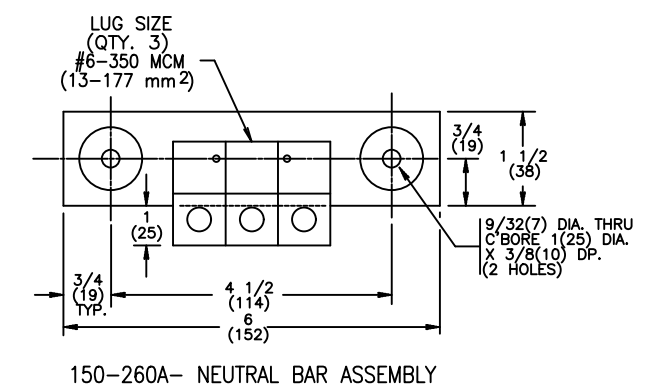
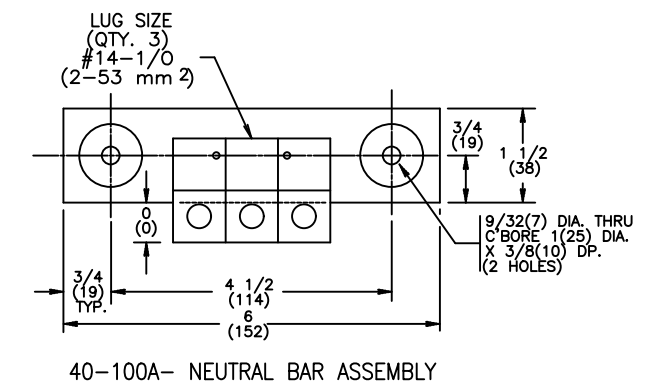
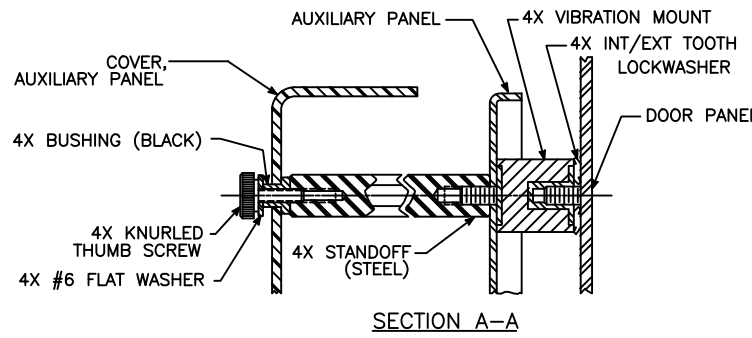
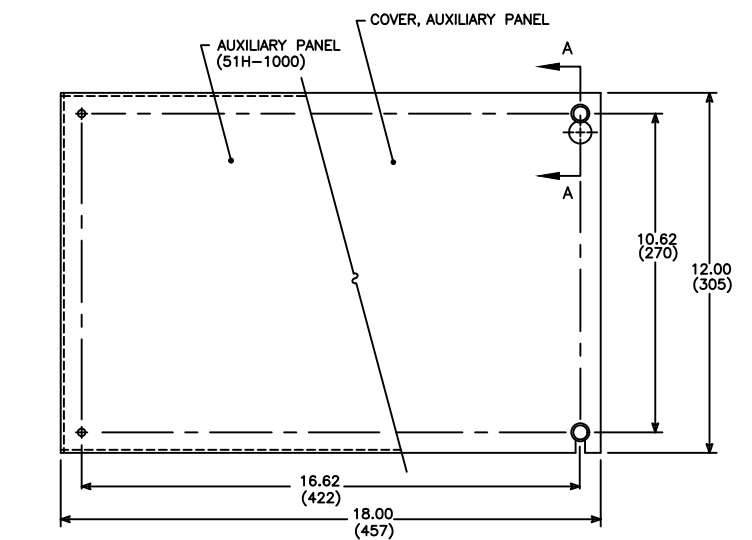
AutoCad Generated

DRAWING FILE: 98c-1011.dwg	MODEL / ASSEMBLY FILE: ZTED2 40 - 400 AMP
# CTQs	CRITICAL TO QUALITY CHARACTERISTIC

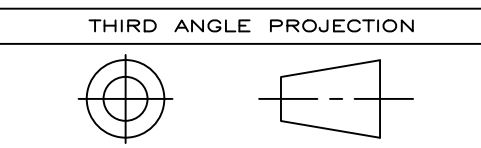
DOOR DETAIL (INSIDE VIEW)



AUXILIARY CONTROL PANEL



- NOTES:
- DO NOT RUN CABLES IN FRONT OF SWITCH. RUN ALL CABLES ON THE RIGHT SIDE.
  - MAINTAIN ELECTRICAL CLEARANCE OF 1" (25mm) MIN. BETWEEN LIVE METAL PARTS AND GROUNDED METAL.
  - ALL DIMENSIONS ARE FOR REFERENCE ONLY AND ARE SHOWN IN INCHES(MILLIMETERS).



**ABB PROPRIETARY AND CONFIDENTIAL INFORMATION**  
 The information contained in the document has to be kept strictly confidential. Any unauthorized use, reproduction, distribution or disclosure to third parties is strictly forbidden. ABB reserves all rights regarding intellectual Property Rights. Copyright 2018 ABB. All rights reserved.

SIGNATURES		DATE		<b>ABB</b>	
MODEL	GG	02/18/08			
DETAIL					
CHECKED		TITLE			
ENGRG	YP	ZTED2 40-400 AMP OPEN STYLE-DOOR LAYOUT			
MFG					
QUALITY					
ISSUED		FIRST MADE FOR: ZTED2 40-400 AMP			
DRAWING FILE:	98c-1011.dwg	SIZE	B	CAGE CODE	DWG NO
MODEL / ASSEMBLY FILE:	ZTED2 40-400 AMP	98C-1011			
# CTQs	⊖ CRITICAL TO QUALITY CHARACTERISTIC	SCALE:	N/A	SHEET 2 OF 2	

AutoCad Generated