

REVISIONS				
REV.	ECN	DESCRIPTION	DATE	APPROVED
E	-	WIRE NUMBER UPDATE	9/27/13	JK

3-LINE ELECTRICAL SCHEMATIC

BID / QUOTE

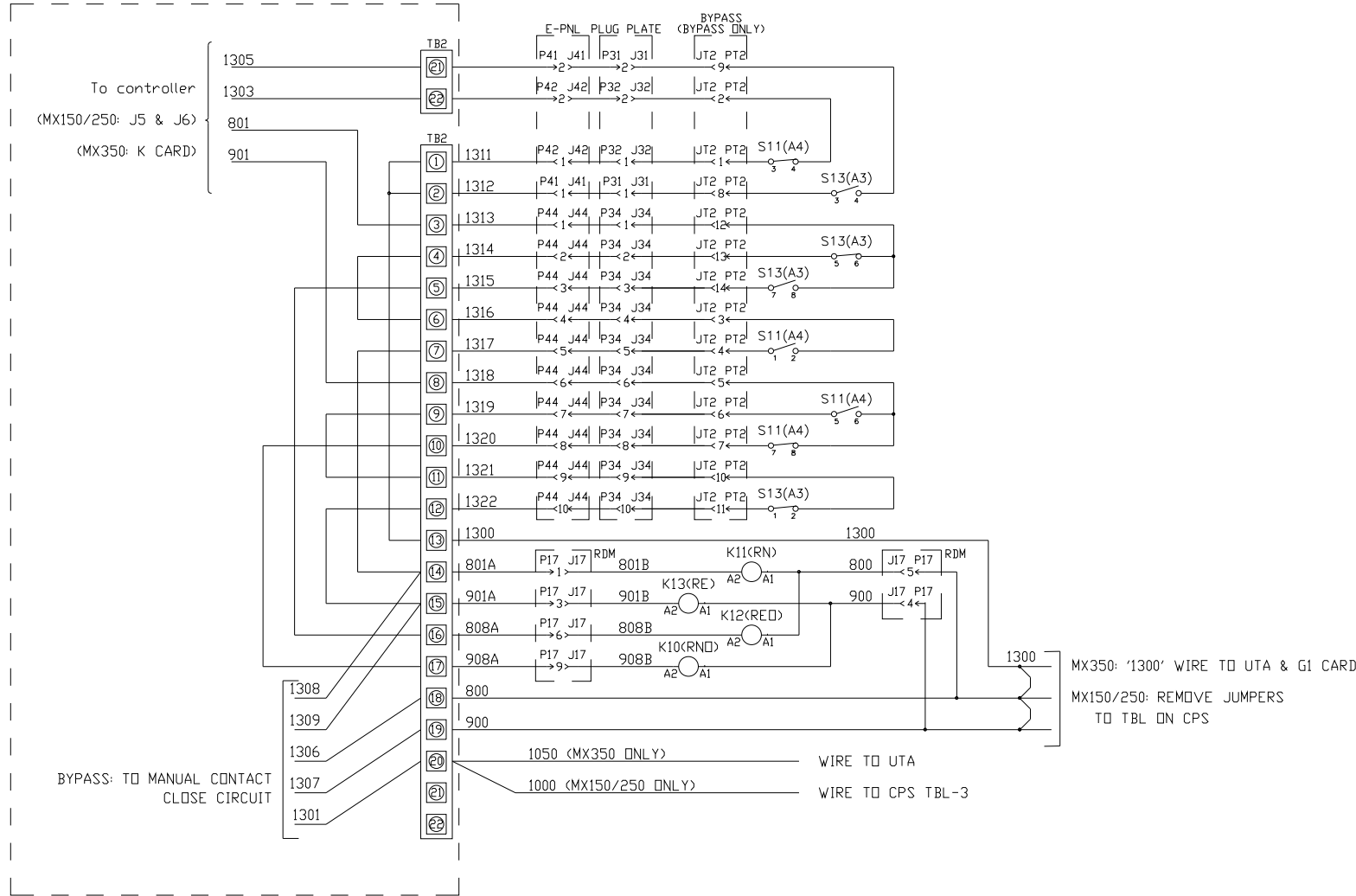
FOR REFERENCE ONLY

GE PROPRIETARY AND CONFIDENTIAL INFORMATION

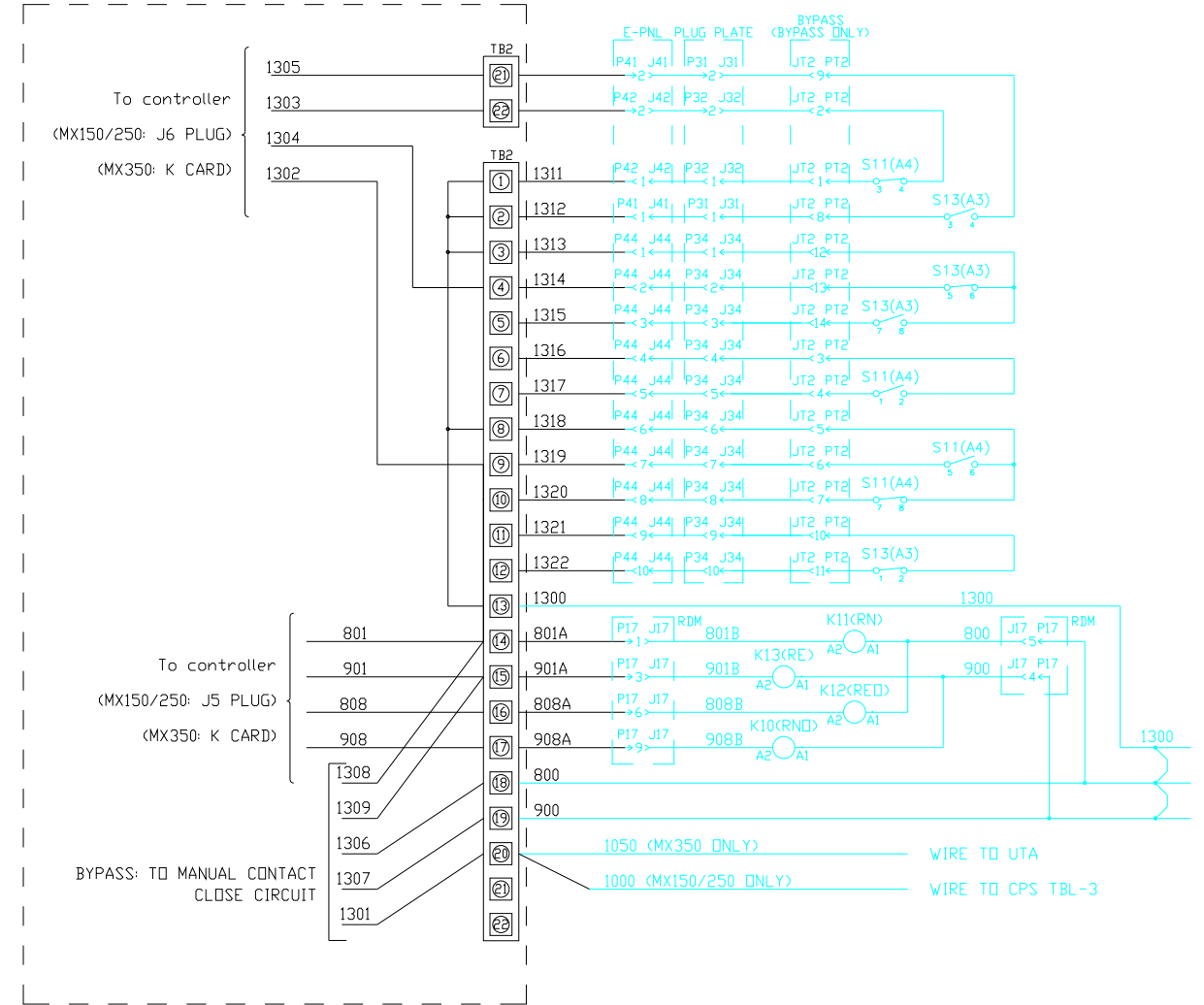
This document is the property of General Electric Company ("GE") and contains proprietary information of GE. This document is loaned on the express condition that neither it nor the information contained therein shall be disclosed to others without the express written consent of GE Industrial Systems, and that the information shall be used by the recipient only as approved expressly by GE Industrial Systems. This document shall be returned to GE upon its request. This document may be subject to certain restrictions under U.S. export control laws and regulations.

THIRD ANGLE PROJECTION		FBR ADDITIONAL INFO REFER TO APPLIED PRACTICES		SIGNATURES		DATE		TITLE: ZT30 ELECTRICAL SCHEMATIC	
UNLESS OTHERWISE SPECIFIED DIMENSIONS ARE IN INCHES		TOLERANCES UN:		MODEL JK		11/09/12		ST / DT / CT	
2 PL. DECIMALS ± .020		3 PL. DECIMALS ± .005		CHECKED		11/09/12		FIRST MADE FOR:	
ANGLES ± 1°		FRACTIONS ± 1/64		ENGRG JK				SIZE CAGE CODE	
FINISH ✓		DRAWING FILE:		MODEL / ASSEMBLY FILE:				DWG NO. 99A-1000	
AutoCad Generated		# CTOS		CRITICAL TO QUALITY CHARACTERISTIC		SCALE: N/A		SHEET 1 OF 6	

STANDARD TRANSITION



DELAYED AND CLOSED TRANSITION



* NOTE: SCHEMATIC IS SHOWN WITH SWITCH IN NORMAL POSITION AND DE-ENERGIZED

TRANSITION WIRING

BID / QUOTE

FOR REFERENCE ONLY

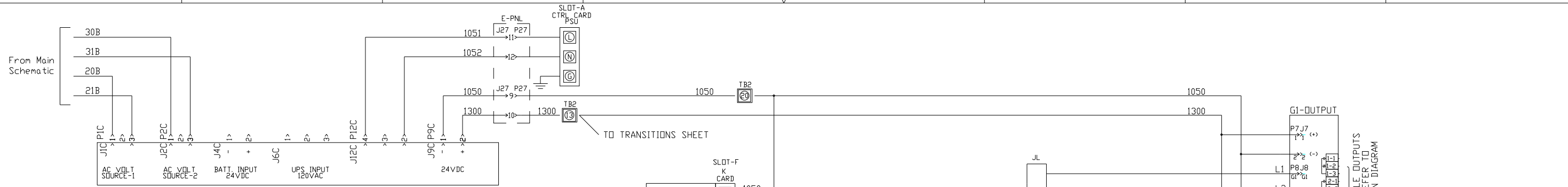
REV.	ECN	DESCRIPTION	DATE	APPROVED
E	-	WIRE NUMBER UPDATE	9/27/13	JK



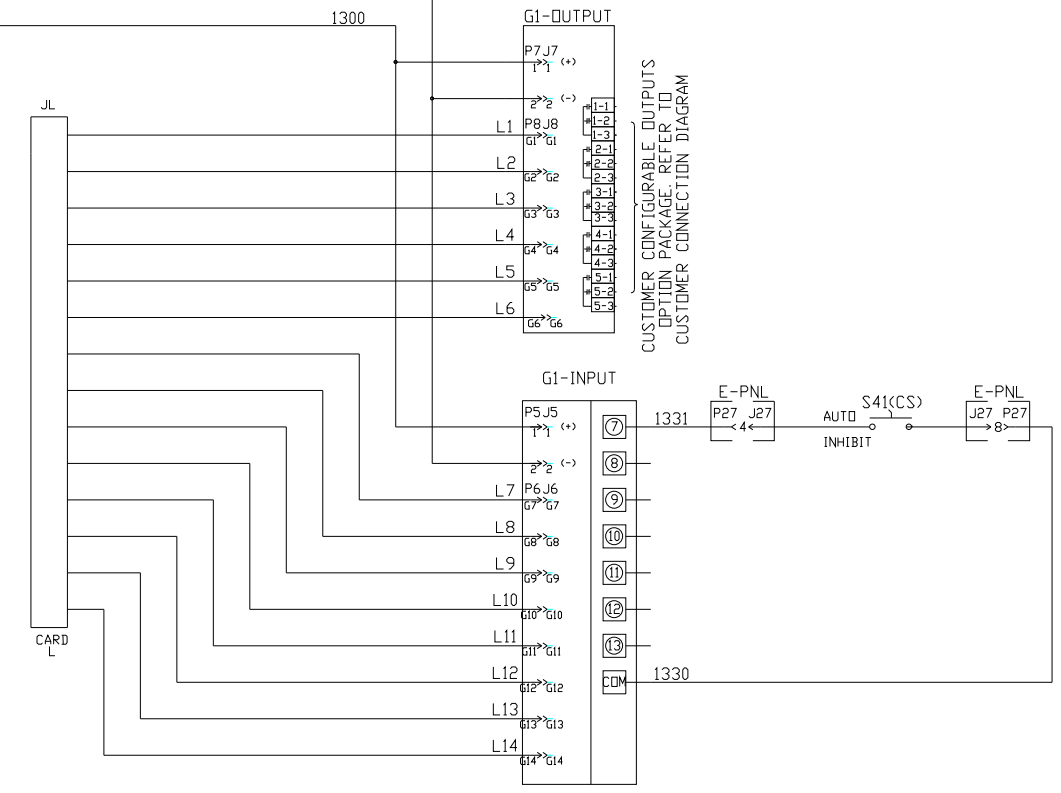
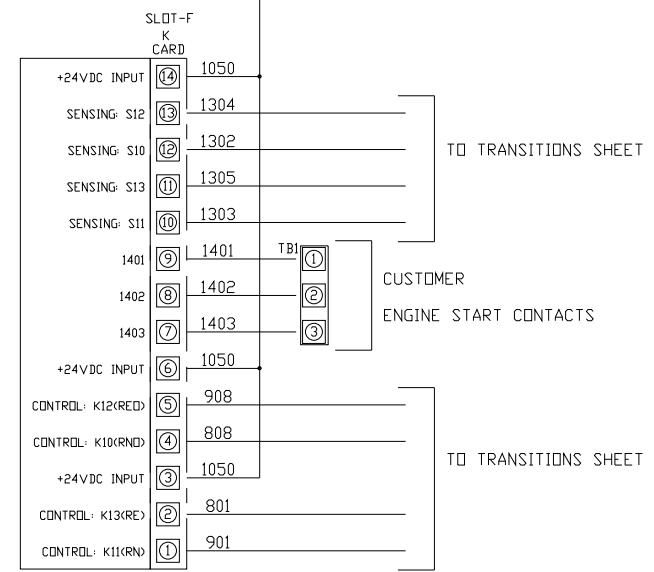
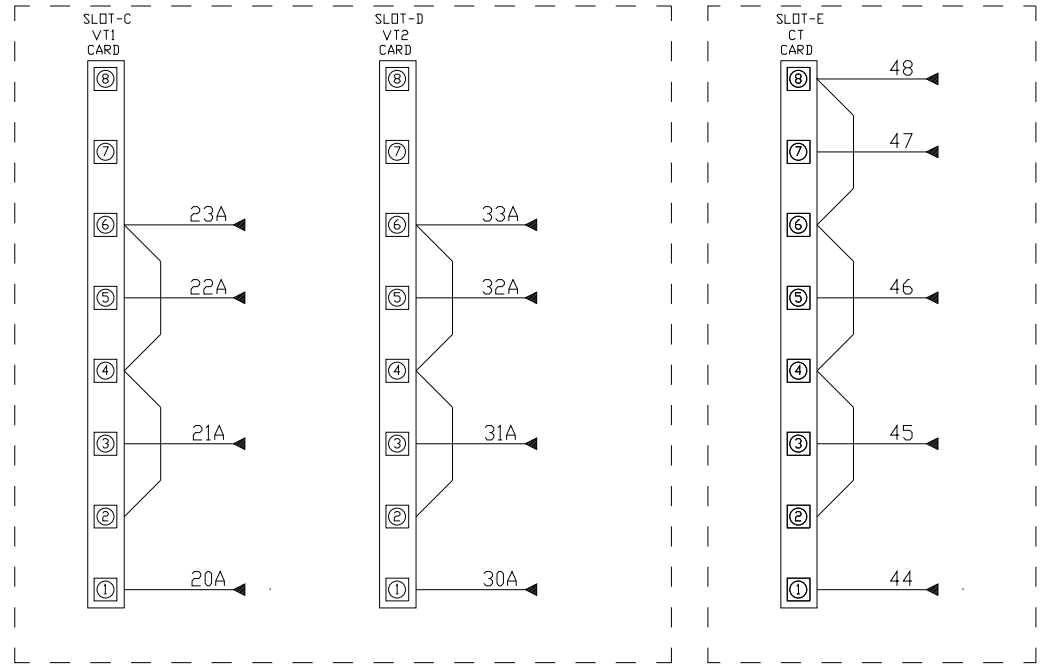
GE PROPRIETARY AND CONFIDENTIAL INFORMATION

This document is the property of General Electric Company ("GE") and contains proprietary information of GE. This document is loaned on the express condition that neither it nor the information contained therein shall be disclosed to others without the express written consent of GE Industrial Systems, and that the information shall be used by the recipient only as approved expressly by GE Industrial Systems. This document shall be returned to GE upon its request. This document may be subject to certain restrictions under U.S. export control laws and regulations.

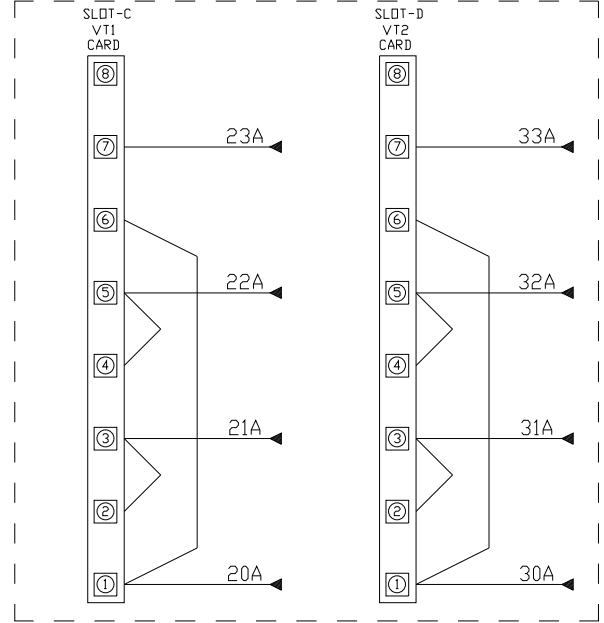
THIRD ANGLE PROJECTION		FBR ADDITIONAL INFO REFER TO APPLIED PRACTICES UNLESS OTHERWISE SPECIFIED DIMENSIONS ARE IN INCHES	SIGNATURES	DATE	TITLE: ZT30 ELECTRICAL SCHEMATIC
		TOLERANCES UNLESS OTHERWISE SPECIFIED: 2 PL. DECIMALS ± .020 3 PL. DECIMALS ± .005 ANGLES ± 1° FRACTIONS ± 1/64 FINISH ✓	MODEL: JK CHECKED: JK ENGRG: JK DRAWING FILE: MODEL / ASSEMBLY FILE: # CTOS	11/09/12 11/09/12	ST / DT / CT FIRST MADE FOR: SIZE: CAGE CODE DWG NO. 99A-1000
AutoCad Generated				CRITICAL TO QUALITY CHARACTERISTIC	SCALE: N/A SHEET 2 OF 6



VT CARDS WYE CONNECTIONS



VT CARDS DELTA CONNECTIONS



CONTROLLER SCHEMATIC
MX350

BID / QUOTE

FOR REFERENCE ONLY

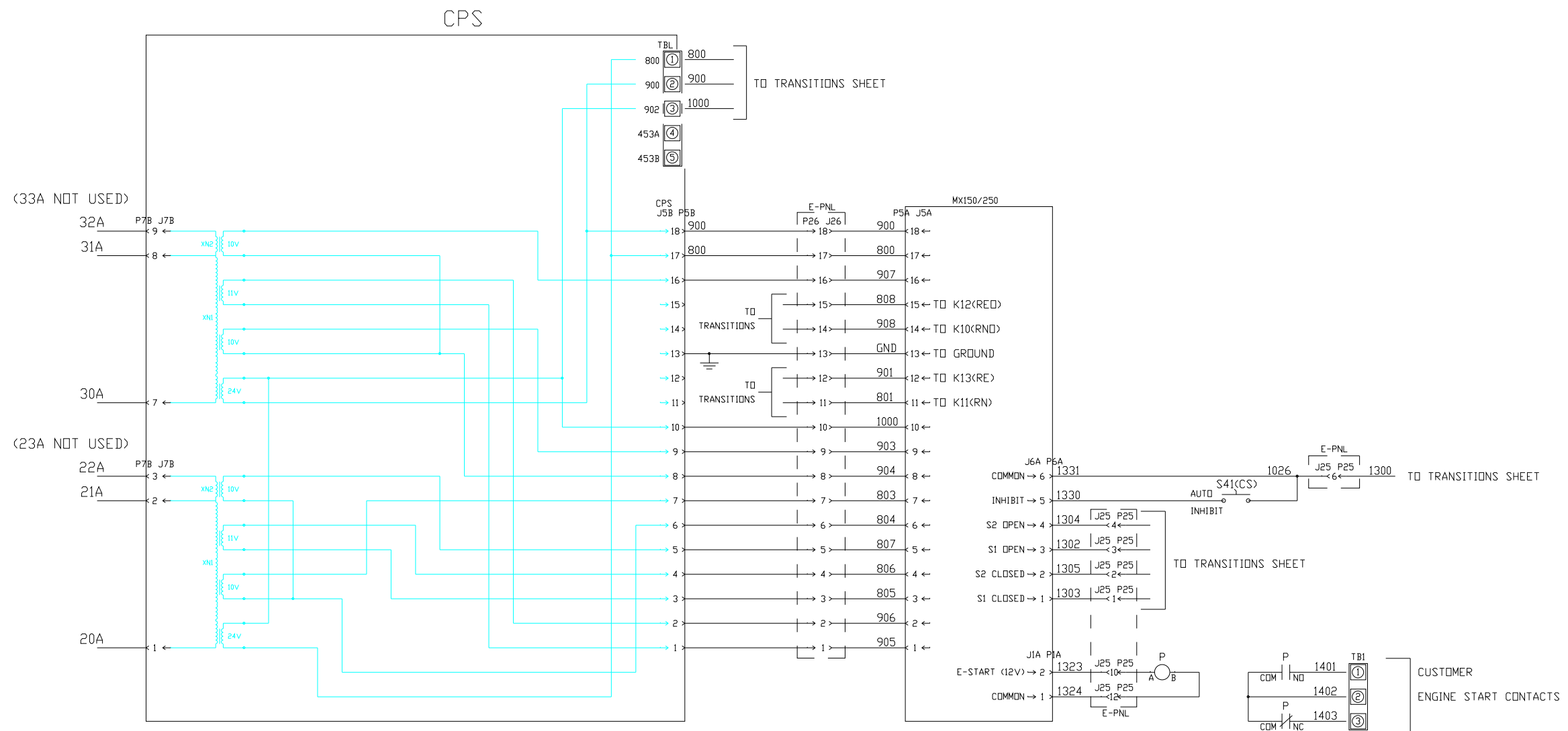
REV.	ECN	DESCRIPTION	DATE	APPROVED
E	-	WIRE NUMBER UPDATE	9/27/13	JK



GE PROPRIETARY AND CONFIDENTIAL INFORMATION
This document is the property of General Electric Company ("GE") and contains proprietary information of GE. This document is loaned on the express condition that neither it nor the information contained therein shall be disclosed to others without the express written consent of GE Industrial Systems, and that the information shall be used by the recipient only as approved expressly by GE Industrial Systems. This document shall be returned to GE upon its request. This document may be subject to certain restrictions under U.S. export control laws and regulations.

THIRD ANGLE PROJECTION	FBR ADDITIONAL INFO REFER TO APPLIED PRACTICES	SIGNATURES	DATE	TITLE: ZT30 ELECTRICAL SCHEMATIC ST / DT / CT
	UNLESS OTHERWISE SPECIFIED DIMENSIONS ARE IN INCHES	MODEL JK	11/09/12	FIRST MADE FOR:
	TOLERANCES UNLESS OTHERWISE SPECIFIED: 2 PL. DECIMALS ± .020 3 PL. DECIMALS ± .005 ANGLES ± 1° FRACTIONS ± 1/64 FINISH ✓	CHECKED	11/09/12	SIZE CAGE CODE
		ENGRG JK		DWG NO. 99A-1000
		DRAWING FILE:		SCALE: N/A
		MODEL / ASSEMBLY FILE:		SHEET 3 OF 6
		# CTOS	CRITICAL TO QUALITY CHARACTERISTIC	

AutoCad Generated



CONTROLLER SCHEMATIC
MX150 / MX250

BID / QUOTE

FOR REFERENCE ONLY

REV.	ECN	DESCRIPTION	DATE	APPROVED
E	-	WIRE NUMBER UPDATE	9/27/13	JK

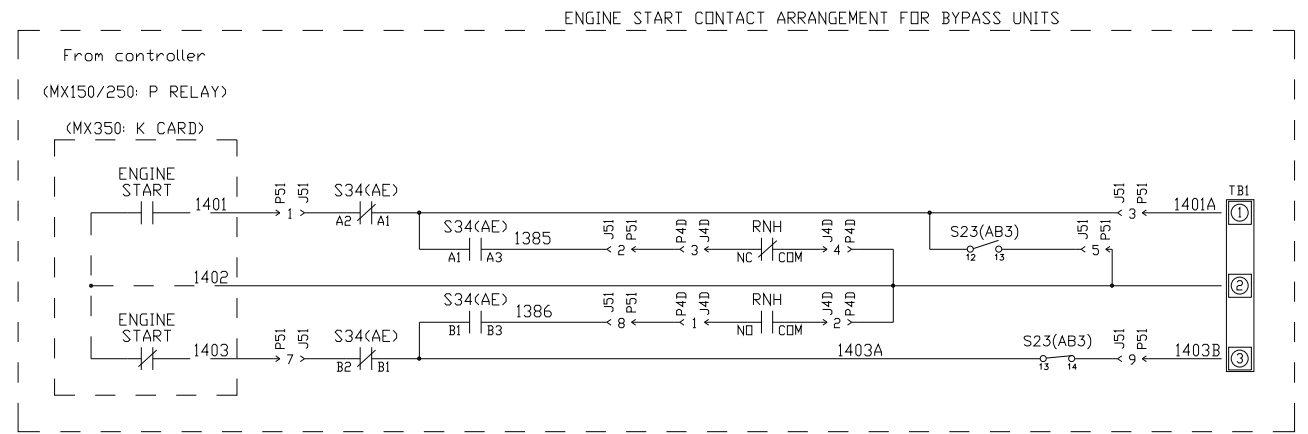
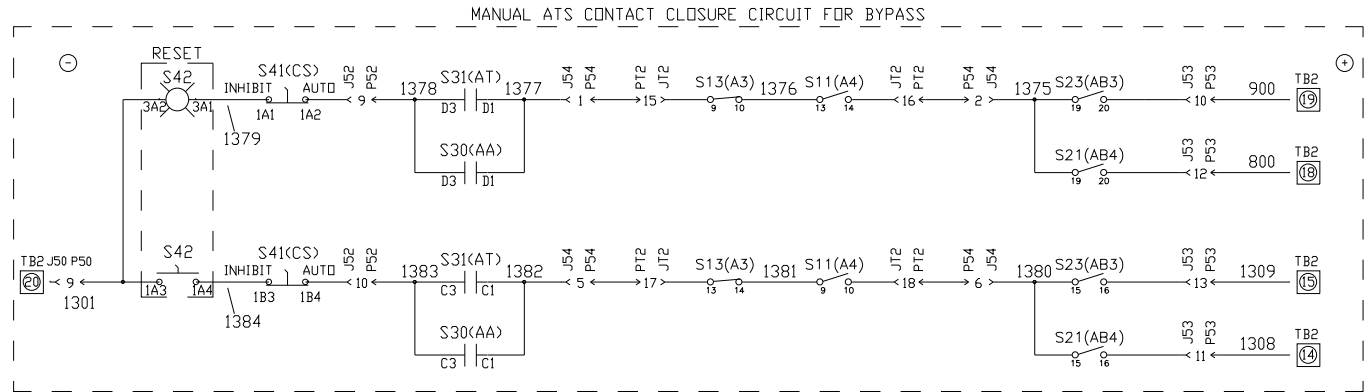
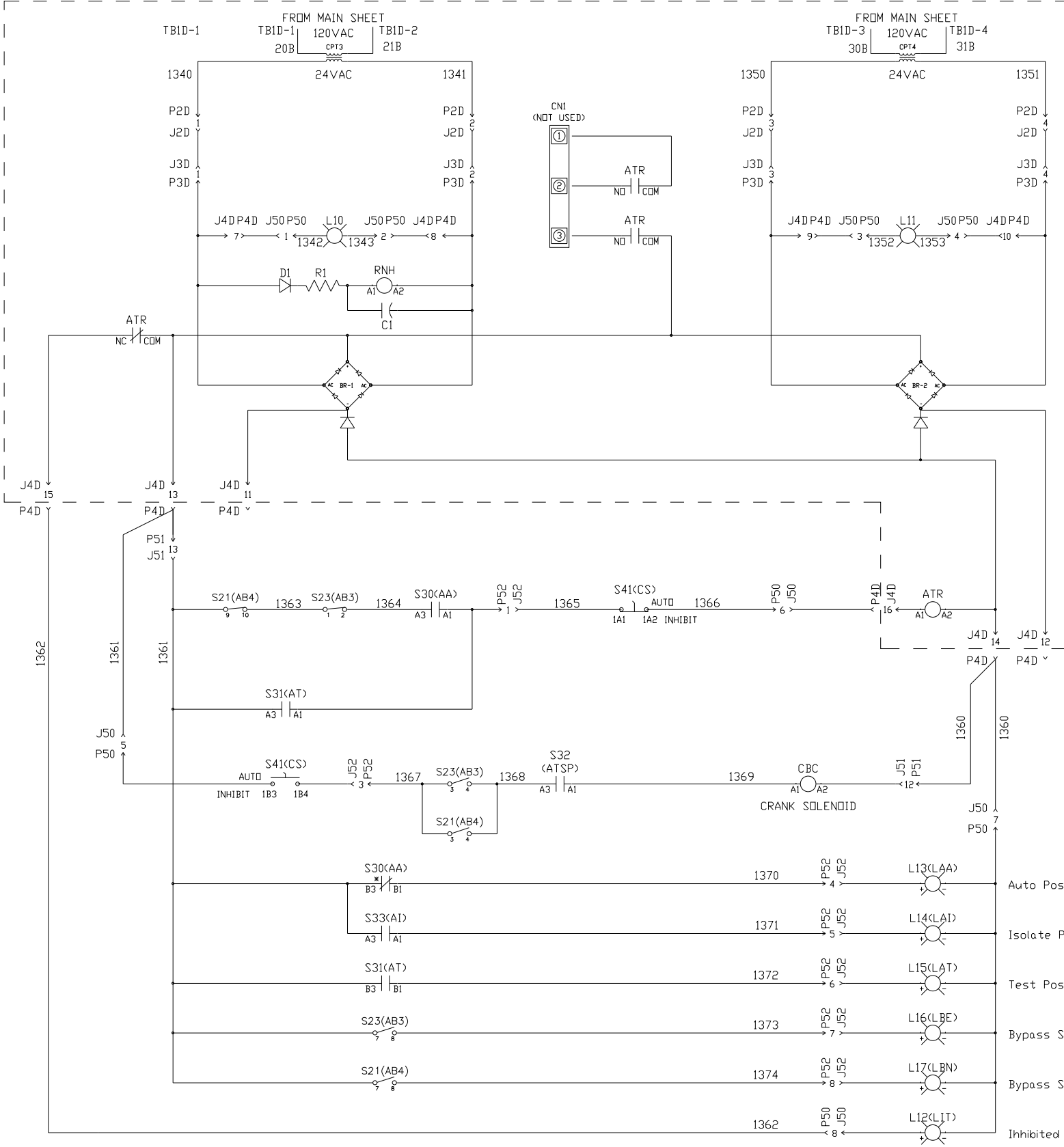


GE PROPRIETARY AND CONFIDENTIAL INFORMATION

This document is the property of General Electric Company ("GE") and contains proprietary information of GE. This document is loaned on the express condition that neither it nor the information contained therein shall be disclosed to others without the express written consent of GE Industrial Systems, and that the information shall be used by the recipient only as approved expressly by GE Industrial Systems. This document shall be returned to GE upon its request. This document may be subject to certain restrictions under U.S. export control laws and regulations.

THIRD ANGLE PROJECTION		FBR ADDITIONAL INFO REFER TO APPLIED PRACTICES		SIGNATURES		DATE	TITLE: ZT30 ELECTRICAL SCHEMATIC	
UNLESS OTHERWISE SPECIFIED DIMENSIONS ARE IN INCHES		TOLERANCES UNLESS OTHERWISE SPECIFIED		MODEL	JK	11/09/12	ST / DT / CT	
2 PL. DECIMALS ± .020		3 PL. DECIMALS ± .005		CHECKED			FIRST MADE FOR:	
ANGLES ± 1°		FRACTIONS ± 1/64		ENGRG	JK	11/09/12	SIZE CAGE CODE	
FINISH ✓		DRAWING FILE:		MODEL / ASSEMBLY FILE:			DWG NO. 99A-1000	
AutoCad Generated		# CTOS		CRITICAL TO QUALITY CHARACTERISTIC			SCALE: N/A	
							SHEET 4 OF 6	

BYPASS CONTROL BOARD



* NOTE: SCHEMATIC IS SHOWN WITH ATS IN S1 POSITION, BYPASS IN NEUTRAL POSITION, BYPASS RACKED TO AUTO, AND DE-ENERGIZED.

BYPASS SCHEMATIC BID / QUOTE FOR REFERENCE ONLY

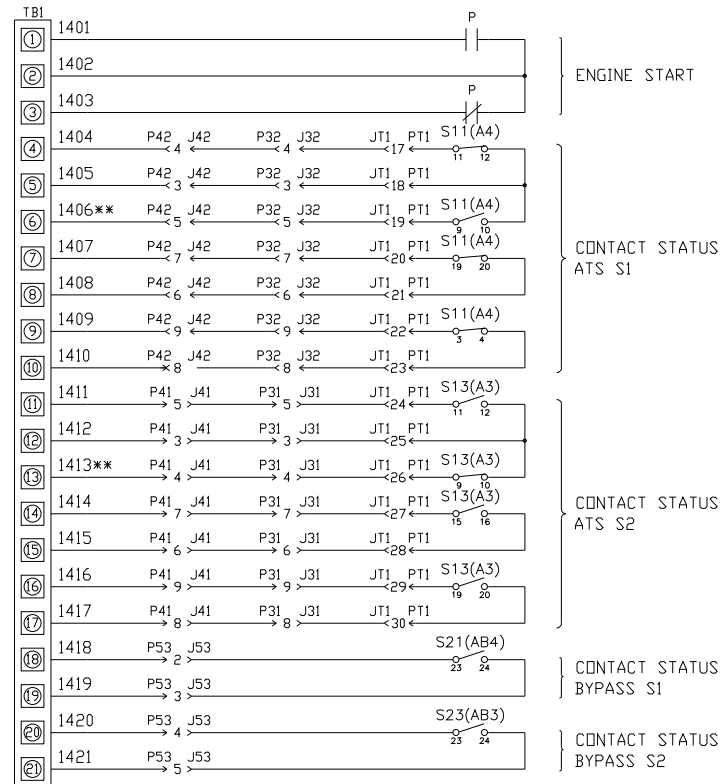
REV.	ECN	DESCRIPTION	DATE	APPROVED
E	-	WIRE NUMBER UPDATE	9/27/13	JK



GE PROPRIETARY AND CONFIDENTIAL INFORMATION
 This document is the property of General Electric Company ("GE") and contains proprietary information of GE. This document is loaned on the express condition that neither it nor the information contained therein shall be disclosed to others without the express written consent of GE Industrial Systems, and that the information shall be used by the recipient only as approved expressly by GE Industrial Systems. This document shall be returned to GE upon its request. This document may be subject to certain restrictions under U.S. export control laws and regulations.

THIRD ANGLE PROJECTION		FBR ADDITIONAL INFO REFER TO APPLIED PRACTICES UNLESS OTHERWISE SPECIFIED DIMENSIONS ARE IN INCHES		SIGNATURES		DATE		TITLE: ZT30 ELECTRICAL SCHEMATIC	
TOLERANCES UNLESS OTHERWISE SPECIFIED		2 PL. DECIMALS ± .020		MODEL JK		11/09/12		ST / DT / CT	
3 PL. DECIMALS ± .005		ANGLES ± 1°		CHECKED		11/09/12		FIRST MADE FOR:	
FRACTIONS ± 1/64		FINISH ✓		ENGRG JK				SIZE CAGE CODE	
AutoCad Generated		# CTOS		DRAWING FILE:		MODEL / ASSEMBLY FILE:		DWG NO. 99A-1000	
		CRITICAL TO QUALITY CHARACTERISTIC		SCALE: N/A		SHEET		5 OF 6	

OTHERS ↔ GE ZENITH CONTROLS



* NOTE: SCHEMATIC IS SHOWN WITH SWITCH IN NORMAL POSITION AND DE-ENERGIZED
 '**' INDICATES THAT THIS WIRE WILL NOT BE LANDED ON TB1 FOR BYPASS UNITS.

CUSTOMER CONNECTIONS BID / QUOTE FOR REFERENCE ONLY

THIRD ANGLE PROJECTION	FBR ADDITIONAL INFO REFER TO APPLIED PRACTICES UNLESS OTHERWISE SPECIFIED DIMENSIONS ARE IN INCHES	SIGNATURES	DATE	TITLE: ZT30 ELECTRICAL SCHEMATIC ST / DT / CT
	TOLERANCES UNLESS OTHERWISE SPECIFIED: 2 PL. DECIMALS ± .020 3 PL. DECIMALS ± .005 ANGLES ± 1° FRACTIONS ± 1/64 FINISH ✓	MODEL JK	11/09/12	FIRST MADE FOR:
		CHECKED	11/09/12	SIZE
		ENGRG JK		CAGE CODE
		DRAWING FILE:		DWG NO. 99A-1000
		MODEL / ASSEMBLY FILE:		SCALE: N/A
		# CTOs	CRITICAL TO QUALITY CHARACTERISTIC	SHEET 6 OF 6

REVISIONS				
REV.	ECN	DESCRIPTION	DATE	APPROVED
E	-	WIRE NUMBER UPDATE	9/27/13	JK



GE PROPRIETARY AND CONFIDENTIAL INFORMATION
 This document is the property of General Electric Company ("GE") and contains proprietary information of GE. This document is loaned on the express condition that neither it nor the information contained therein shall be disclosed to others without the express written consent of GE Industrial Systems, and that the information shall be used by the recipient only as approved expressly by GE Industrial Systems. This document shall be returned to GE upon its request. This document may be subject to certain restrictions under U.S. export control laws and regulations.

AutoCad Generated