

OVRHSP-200

Facility Wide Protection – 1,000A and higher



Product features

- UL Listed 1449 4th edition for Type 1 and Type 2 SPD applications.
- Fail-safe design with individually fused Metal Oxide Varistors (MOVs) eliminating single point failure, protecting against both overcurrent and overvoltage events.
- 200kAIC short circuit rating permits direct bus connection to most electrical services.
- Low let through voltage ensured by the lowest possible impedance path to ground and equal current sharing during surge events.
- All weather sealed, powder-coated NEMA 4/IP65 housing is designed for any orientation and indoor/outdoor applications.
- 10-year standard warranty.

Available configurations

Model number	Voltage	Configuration
OVRHSP2001201P	120V	1-phase, 2-wire + ground
OVRHSP2002401P	240V	1-phase, 2-wire + ground
OVRHSP2001202S	120/240V	2-phase, 3-wire + ground
OVRHSP2001203Y	120/208V	3-phase Wye, 4-wire + ground
OVRHSP2002203Y	220/380V	3-phase Wye, 4-wire + ground
OVRHSP2002403Y	240/415V	3-phase Wye, 4-wire + ground
OVRHSP2002773Y	277/480V	3-phase Wye, 4-wire + ground
OVRHSP2003473Y	347/600	3-phase Wye, 4-wire + ground
OVRHSP2002403H	120/240V	3-phase High-Leg, 4-wire + ground
OVRHSP2002403D	240V	3-phase Delta, 3-wire + ground
OVRHSP2003803D	380V	3-phase Delta, 3-wire + ground
OVRHSP2004803D	480V	3-phase Delta, 3-wire + ground
OVRHSP2006003D	600V	3-phase Delta, 3-wire + ground

Product specifications

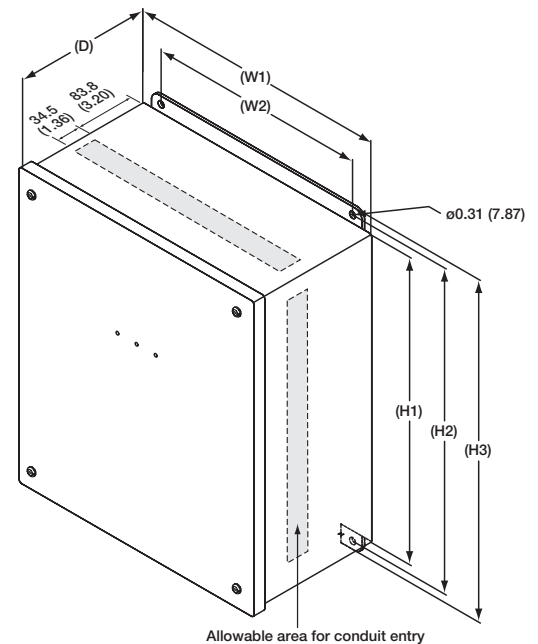
Electrical	
Maximum surge current rating	200kA per phase, 100kA per mode
Nominal discharge current rating (I-n)	20kA
Operating frequency	47–63Hz
Connection method	Parallel to electrical distribution system
Modes of protection	All Modes (L-N, L-G, N-G, L-L)
Fault rating (SCCR)	200kAIC – no upstream over-current protection device (breaker or fuse) required
Response time	Less than 1 nanosecond
Standard monitoring	Status indicator lights (one per phase) Standard dry (Form “C”) relay contacts Audible alarm with silence button
Mechanical	
Weight	18 kg (40 lbs.)
Enclosure type	Powder coated, impact-resistance steel, weather-proof NEMA 4
Installation location	Indoor/outdoor
Mounting method	Dual mounting flanges
Operating environment	-40° to +70°C (-40° to +185°F)
Altitude	Up to 4000 m (13,000 ft.)
Product design	Parallel design with individually fused MOVs
Regulatory	
UL 1449 4th edition	Type 1
UL 1283	Yes
IEEE C62.41.1, .2, C62.45	Yes
Listed By	UL
EMI/RFI filter attenuation	
Max. attenuation frequency	41dB @ 106kHz
Warranty	
	10-years



Available options*	Suffix number
Surge counter	2
Transient filter (meets UL 1283) Not recommended when using telecommunication rectifiers.	3
Stainless steel enclosure	4
Transient filter and surge counter	B
Transient filter and stainless steel enclosure	C
Surge counter and stainless steel enclosure	D
Transient filter, surge counter and stainless steel enclosure	T

*Add applicable suffix to the end of Model number.
Example: OVRHSP2001201P2

Dimensional specifications



Dim	Millimeters (Inches)
H1	355.6 (14.00)
H2	374.7 (14.75)
H3	393.7 (15.50)
W1	304.8 (12.00)
W2	254.0 (10.00)
D	157.5 (6.20)

Performance data

Model number	Protection mode	MCOV	ANSI/IEEE C62.41.1-2002, C62.41.2-2002, & C62.45-2002 measured limiting voltage			
			B3 ring wave 6kV, 500A	B3/C1 combo wave 6kV, 3kA	C3 combo wave 20kV, 10kA	UL 1449 4th edition 6kV, 3kA VPR
OVRHSP2001201P	L-N	150V	464V	502V	907V	800V
	L-G	150V	672V	627V	1173V	800V
	N-G	150V	512V	568V	1090V	800V
OVRHSP2002401P	L-N	320V	427V	828V	1170V	1200V
	L-G	320V	944V	996V	1540V	1200V
	N-G	320V	848V	899V	1500V	1200V
OVRHSP2001202S	L-N	150V	464V	502V	907V	800V
	L-G	150V	672V	627V	1173V	800V
	L-L	300V	576V	864V	1267V	1200V
	N-G	150V	512V	568V	1090V	800V
OVRHSP2001203Y	L-N	150V	464V	502V	907V	800V
	L-G	150V	672V	627V	1173V	800V
	L-L	300V	576V	864V	1267V	1200V
	N-G	150V	512V	568V	1090V	800V
OVRHSP2002203Y	L-N	320V	427V	828V	1170V	1200V
	L-G	320V	944V	996V	1540V	1200V
	L-L	640V	555V	1497V	1950V	1800V
	N-G	320V	848V	899V	1500V	1200V
OVRHSP2002403Y	L-N	320V	427V	828V	1170V	1200V
	L-G	320V	944V	996V	1540V	1200V
	L-L	640V	555V	1497V	1950V	1800V
	N-G	320V	848V	899V	1500V	1200V
OVRHSP2002773Y	L-N	320V	427V	828V	1170V	1200V
	L-G	320V	944V	996V	1540V	1200V
	L-L	640V	555V	1497V	1950V	1800V
	N-G	320V	848V	899V	1500V	1200V
OVRHSP2003473Y	L-N	420V	715V	1250V	1910V	1500V
	L-G	420V	829V	1340V	1960V	1500V
	L-L	840V	1130V	2300V	2910V	2500V
	N-G	420V	670V	1230V	1880V	1500V
OVRHSP2002403H	L-N	150V	464V	502V	907V	800V
	H-N	320V	427V	828V	1170V	1200V
	L-G	150V	672V	627V	1173V	800V
	H-G	320V	944V	996V	1540V	1200V
	L-L	320V	576V	864V	1267V	1200V
	H-L	470V	980V	1250V	1640V	1500V
	N-G	150V	512V	568V	1090V	800V
OVRHSP2002403D	L-G	320V	750V	940V	1650V	1200V
	L-L	320V	630V	1020V	1680V	1200V
OVRHSP2003803D	L-G	550V	1050V	1450V	2160V	1800V
	L-L	550V	860V	1670V	2470V	1800V
OVRHSP2004803D	L-G	550V	1050V	1450V	2160V	1800V
	L-L	550V	860V	1670V	2470V	1800V
OVRHSP2006003D	L-G	750V	1245V	1960V	2760V	2500V
	N-G	750V	1060V	2260V	2960V	2500V

All OVRHSP systems measured limited voltages are peak values ($\pm 10\%$) measured from the zero reference point and are in compliance with test and evaluation procedures outlined in NEMA LS1-1992 (2000), paragraphs 2.210 and 3.10.

ABB Power Protection LLC

EPSB

Low Voltage Products

5900 Eastport Blvd.

Richmond, VA 23231, USA

new.abb.com/low-voltage/products

We reserve the right to make technical changes or modify the contents of this document without prior notice. With regard to purchase orders, the agreed particulars shall prevail. ABB Power Protection does not accept any responsibility whatsoever for potential errors or possible lack of information in this document.

We reserve all rights in this document and in the subject matter and illustrations contained therein. Any reproduction, disclosure to third parties or utilization of its contents – in whole or in parts – is forbidden without prior written consent of ABB Power Protection. Copyright © 2019 ABB