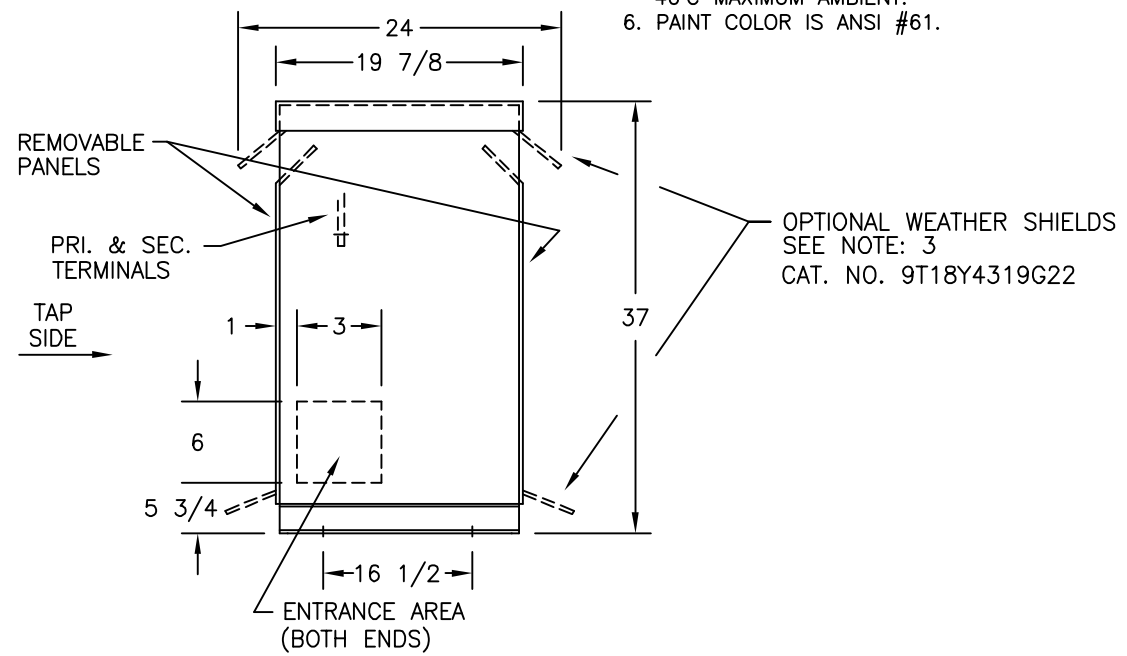
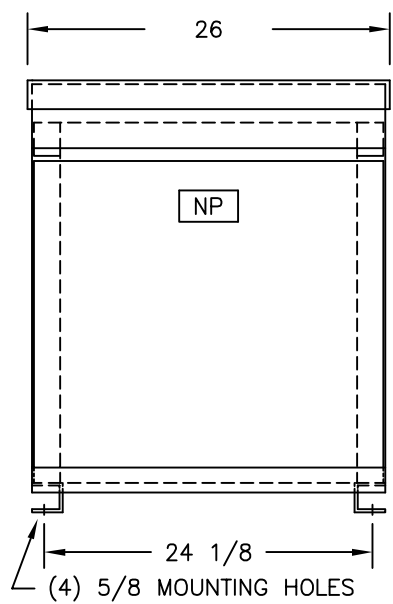
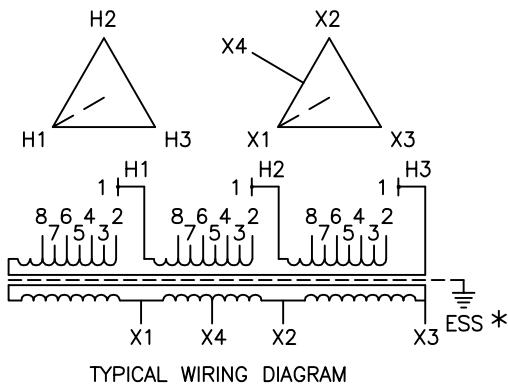
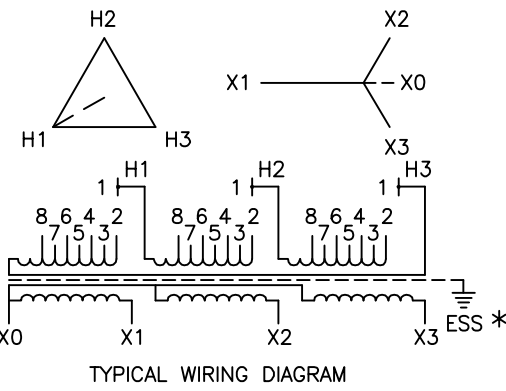


X4 LIGHTING TAP
IF APPLICABLE

NOTES:

1. ALL UNITS ARE UL LISTED AND ARE DESIGNED IN ACCORDANCE WITH APPLICABLE NEMA, ANSI, AND IEEE STANDARDS.
2. TRANSFORMERS ARE DRY-TYPE, CLASS AA, VENTILATED NEMA 2 ENCLOSURE FOR INDOOR USE.
3. WITH INSTALLATION OF OPTIONAL WEATHER SHIELDS, TRANSFORMER BECOMES NEMA 3R FOR OUTDOOR USE.
4. TRANSFORMERS ARE FLOOR MOUNTED. WALL MOUNTING BRACKETS ARE OPTIONAL AND ARE SUPPLIED AS SEPARATE ACCESSORIES.
5. TRANSFORMERS HAVE 220°C CLASS INSULATION SYSTEM WITH THE AVERAGE WINDING TEMPERATURE RISE BASED ON 40°C MAXIMUM AMBIENT.
6. PAINT COLOR IS ANSI #61.



UNIT WEIGHT REF. (D)

NET WT. IN LBS.	A	B	C	D
ALUMINUM	400	485	575	455
COPPER	470	540	640	520

* ELECTROSTATIC SHIELD GROUNDED TO TRANSFORMER CASE AT FACTORY IF APPLICABLE

<input type="checkbox"/>	DRAWINGS APPROVAL
<input checked="" type="checkbox"/>	RECORD
<input type="checkbox"/>	OTHER

BUY AMERICAN ACT COMPLIANT

QUANTITY	1	CUST.		
KVA	45	JOB		
PRIMARY VOLTAGE	480	P.O.		
SECONDARY VOLTAGE	208Y/120	S.O.		
TEMPERATURE RISE IN °C	115	CATALOG NO. 9T03U7973G31		
WINDINGS & TERMINALS	<input type="checkbox"/> ALUMINUM <input checked="" type="checkbox"/> COPPER			
FREQUENCY	60	BY SV	ENG. LOG.	TITLE MEETS 10 CFR 431 (2016) EFFICIENCY DRY TYPE TRANSFORMER GENERAL PURPOSE THREE PHASE, 600 VOLT CLASS
TAPS	+2, -4 X 2 1/2%	DATE 7/17/02		
by ABB		REV 3	MFG. LOG.	DWG. NO. MADE IN U.S.A.
		DATE: 11/6/15	DWG. FILE	

GE is a registered trademark used under license from General Electric Company.