



Transformer



1M0000000

Catalog Number

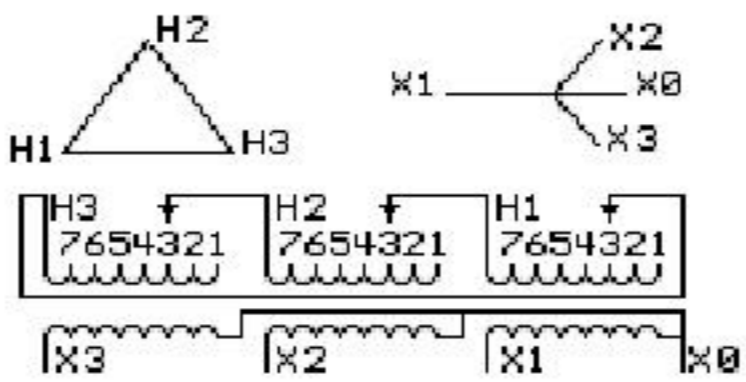
9T10A1000

Type QL

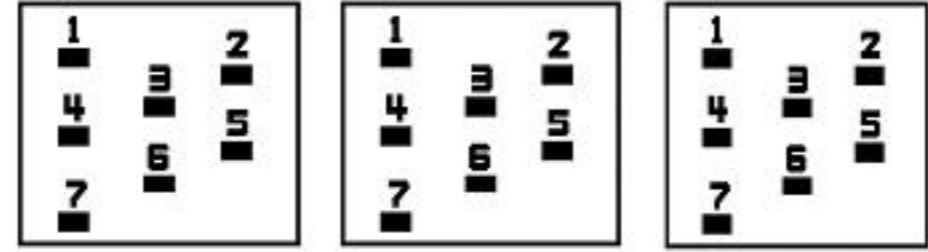
11.0 KVA 60 HZ 3 PH 2.7 % IMP

40 C AMB. 150 C RISE 220 C SYSTEM IS-19C
Note: Design is based on 15.00KVA & 115C Rise 3.4% Imp.

PRIMARY (H) 480 VOLTS (LINE-LINE)
SECONDARY (X) 208 VOLTS (LINE-LINE)
120 VOLTS (LINE-NEUTRAL)



COIL TAP ARRANGEMENT



| JUMPER CONNECTION TAP | VOLTS |
|-----------------------|-------|
| 1 | 504 |
| 2 | 493 |
| 3 | 480 |
| 4 | 468 |
| 5 | 455 |
| 6 | 445 |
| 7 | 432 |

NET WGT
231 LB
104.8 Kg

58539
UX71A
NOG
121415

INSPECTION & FINAL TEST N551!



ENCLOSURE TYPE 2 (IP20). OR RAINPROOF TYPE 3R (IP22) WHEN PROVIDED SHIELD 9T18Y1071G06

Assembled in Mexico

BEFORE HANDLING, INSTALLING AND OPERATING, SEE INSTRUCTION 475A667AAP001
ALUMINUM CONDUCTOR PRIMARY: 10 KV BIL SECONDARY: 10 KV BIL Outline: 303B111GEUXP71A

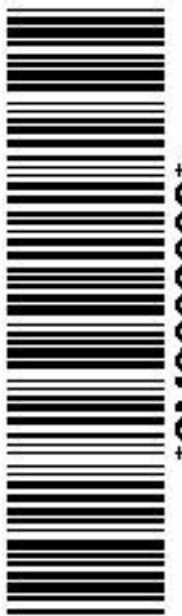
X3 H3 X2 H2 X1 H1 X0

IN ACCORDANCE WITH NEC SECTION 450-9, ALLOW AT LEAST SIX INCHES CLEARANCE FOR VENTILATION. CHECK ADDITIONAL NEC AND LOCAL CODE

Note: standard

X0
X1
X2
X3
H1
H2
H3

X0
X1
X2
X3
H1
H2
H3



2M0000000



3M0000000