



# Transformer



\*1M0000000\*

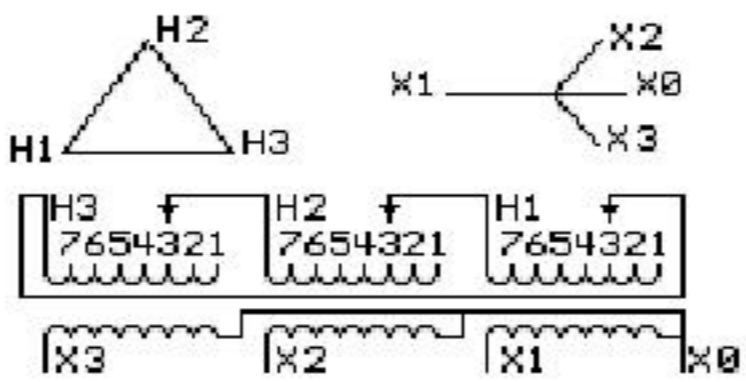
Catalog Number **9T10A1001G02** Type **QL**

**15.0 KVA 60 HZ 3 PH 3.4 % IMP**

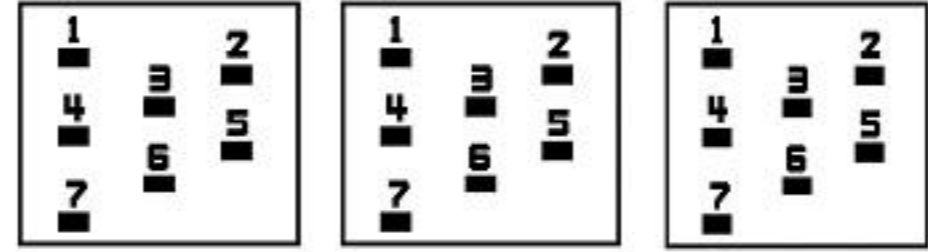
40 C AMB. 150 C RISE 220 C SYSTEM IS-19C

Note: Design is based on 15.00KVA & 115C Rise 3.4% Imp.

PRIMARY (H) 480 VOLTS (LINE-LINE)  
SECONDARY (X) 208 VOLTS (LINE-LINE)  
120 VOLTS (LINE-NEUTRAL)



### COIL TAP ARRANGEMENT



| JUMPER CONNECTION |       |
|-------------------|-------|
| TAP               | VOLTS |
| 1                 | 504   |
| 2                 | 493   |
| 3                 | 480   |
| 4                 | 468   |
| 5                 | 455   |
| 6                 | 445   |
| 7                 | 432   |

NET WGT  
231 LB  
104.8 Kg

58539  
UX71A

NOG  
121315

INSPECTION  
&  
FINAL TEST  
N551!



ENCLOSURE TYPE 2 (IP20) OR RAINPROOF TYPE 3R (IP22) WHEN PROVIDED SHIELD 9T18Y1071G06

Assembled in Mexico

BEFORE HANDLING, INSTALLING AND OPERATING, SEE INSTRUCTION 475A667AAP001  
ALUMINUM CONDUCTOR PRIMARY: 10 KV BIL SECONDARY: 10 KV BIL Outline: 303B111GEUXP71A

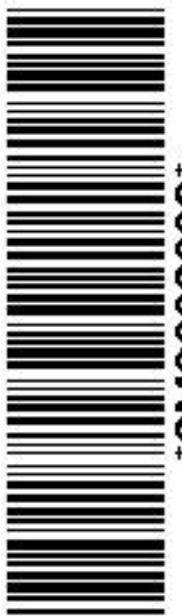
X3 H3 X2 H2 X1 H1 X0

IN ACCORDANCE WITH NEC SECTION 450-9, ALLOW AT LEAST SIX INCHES CLEARANCE FOR VENTILATION. CHECK ADDITIONAL NEC AND LOCAL CODE

Note: standard

X0  
X1  
X2  
X3  
H1  
H2  
H3

X0  
X1  
X2  
X3  
H1  
H2  
H3



\*2M0000000\*



\*3M0000000\*