



Transformer



1M000000

Catalog Number
9T10A1001G62

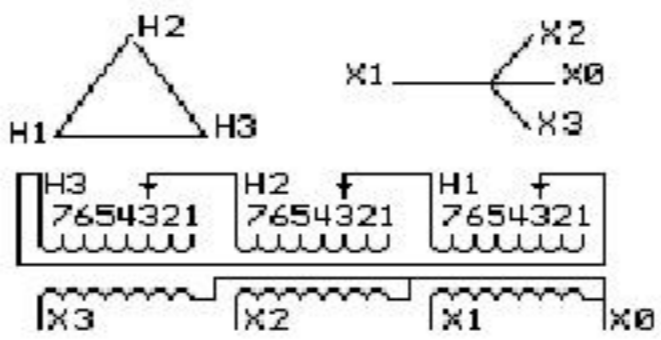
Type **QL**

15.0 KVA 60 HZ 3 PH 2.3 % IMP

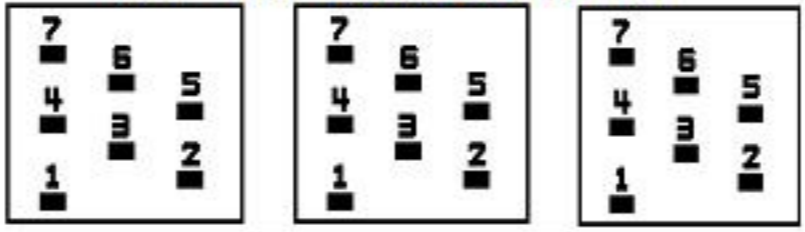
40 C AMB. 80 C RISE 220 C SYSTEM IS-19C

Note: Design is based on 30.00KVA & 115C Rise 4.9% Imp.

PRIMARY (H) 480 VOLTS (LINE-LINE)
SECONDARY (X) 208 VOLTS (LINE-LINE)
120 VOLTS (LINE-NEUTRAL)



COIL TAP ARRANGEMENT



JUMPER CONNECTION	
TAP	VOLTS
1	504
2	492
3	480
4	468
5	456
6	444
7	432

NET WGT
330 LB
149.7 Kg

59079
UX72A
NOG
033016

INSPECTION
&
FINAL TEST
N614!



LISTED 769G

Assembled in Mexico

ENCLOSURE TYPE 2 (IP20). OR RAINPROOF TYPE 3R (IP22) WHEN PROVIDED SHIELD 9T18Y1072G06

BEFORE HANDLING, INSTALLING AND OPERATING, SEE INSTRUCTION 475A667AAP001
ALUMINUM CONDUCTOR PRIMARY: 10 KV BIL SECONDARY: 10 KV BIL Outline: 303B111GEUXP72A

IN ACCORDANCE WITH NEC SECTION 450-9, ALLOW AT LEAST SIX INCHES CLEARANCE FOR VENTILATION. CHECK ADDITIONAL NEC AND LOCAL CODE

X3 H3 X2 H2 X1 H1 X0

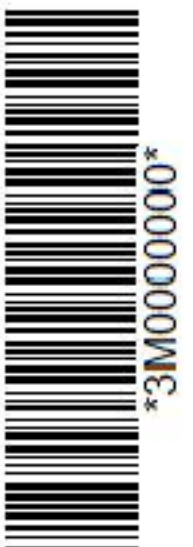
Note: standard

X0
X1
H1
X1
H1
X2
H2
X2
H2
X3
H3
X3
H3

X0
X1
H1
X1
H1
X2
H2
X2
H2
X3
H3
X3
H3



2M000000



3M000000