



Transformer



1M0000000

Catalog Number **9T10A1001G63** Type **QL**

15.0 KVA 60 HZ 3 PH 2.5 % IMP

40 C AMB. 80 C RISE 220 C SYSTEM IS-19C

Note: Design is based on 30.00KVA & 115C Rise 5.1% Imp.

PRIMARY (H) 480 VOLTS (LINE-LINE)
SECONDARY (X) 208 VOLTS (LINE-LINE)
120 VOLTS (LINE-NEUTRAL)

ELECTROSTATIC GROUND SHIELD IN EACH PHASE

ENCLOSURE TYPE 2 (IP20) OR RAINPROOF TYPE 3R (IP22) WHEN PROVIDED SHIELD 9T18Y1072G06

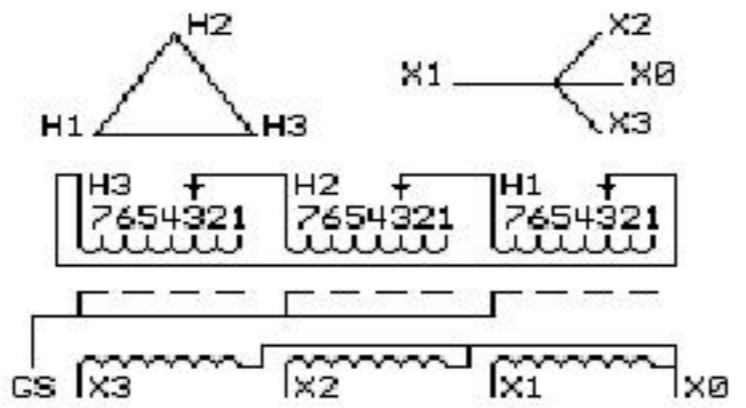
BEFORE HANDLING, INSTALLING AND OPERATING, SEE INSTRUCTION 475A667AAP001
ALUMINUM CONDUCTOR PRIMARY: 10 KV BIL SECONDARY: 10 KV BIL Outline: 303B111GEUXP72A

IN ACCORDANCE WITH NEC SECTION 450-9, ALLOW AT LEAST SIX INCHES CLEARANCE FOR VENTILATION. CHECK ADDITIONAL NEC AND LOCAL CODE

GE Energy Industrial Solutions

NEMA CLASS AA DRY TYPE TRANSFORMER

Meets DOE 2016 efficiency



| JUMPER CONNECTION | |
|-------------------|-------|
| TAP | VOLTS |
| 1 | 504 |
| 2 | 492 |
| 3 | 480 |
| 4 | 468 |
| 5 | 456 |
| 6 | 444 |
| 7 | 432 |

NET WGT
330 LB
149.7 Kg

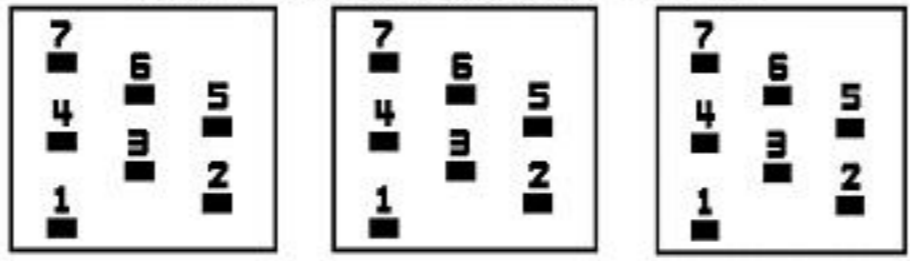
58545
UX72A

NOG

121015

INSPECTION & FINAL TEST N550!

COIL TAP ARRANGEMENT



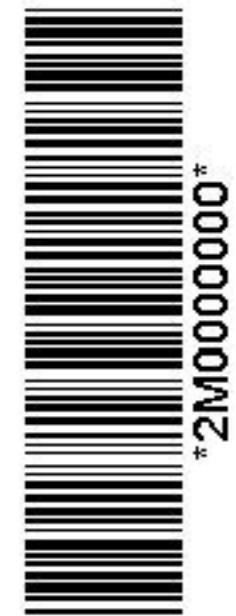
Assembled in Mexico

X3 H3 X2 H2 X1 H1 X0

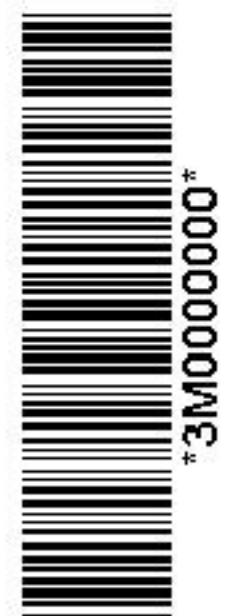
- - - - -

Note: standard

X0
X1 H1
X1 H1
X2 H2
X2 H2
X3 H3
X3 H3
X0
X0



2M0000000



3M0000000