



# Transformer

by ABB



\*1M0000000\*

**Catalog Number**  
**9T10A1003**

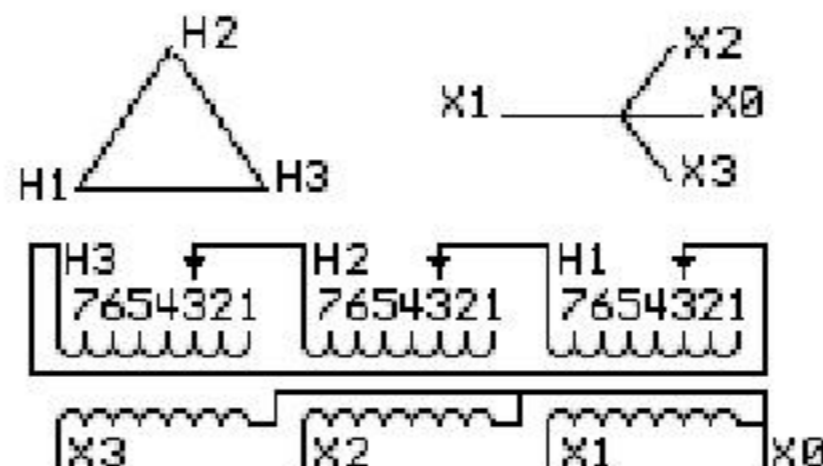
**Type QL**

**45.0 KVA**    **60 HZ**    **3 PH**    **4.3 % IMP**  
**40 C AMB.**    **150 C RISE**    **220 C SYSTEM**    **IS-19C**

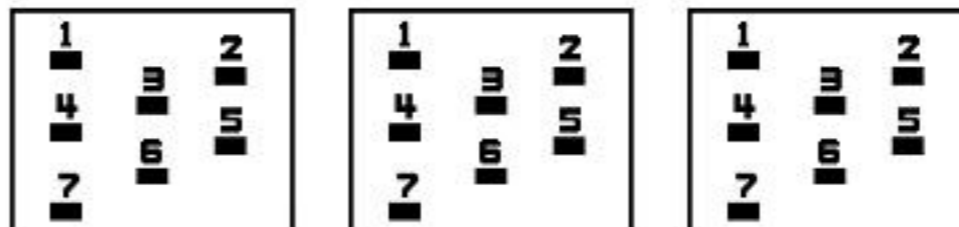
**JUMPER CONNECTION**

TAP	VOLTS
1	504
2	491
3	480
4	467
5	457
6	444
7	431

PRIMARY (H)	480 VOLTS (LINE-LINE)
SECONDARY (X)	208 VOLTS (LINE-LINE)
	120 VOLTS (LINE-NEUTRAL)



### COIL TAP ARRANGEMENT



**NET WGT**  
363 LB  
164.7 Kg  
88676  
UY73A

**INSPECTION & FINAL TEST**  
NOG  
N130!  
072321



ENCLOSURE TYPE 2 (IP30). RAINPROOF TYPE 3R ENCLOSURE (IP32) WHEN PROVIDED SHIELD  
9T18Y1072G06

**BEFORE HANDLING, INSTALLING AND OPERATING, SEE INSTRUCTION 475A667AAP001**

ALUMINUM CONDUCTOR    PRIMARY: 10 KV BIL    SECONDARY: 10 KV BIL

IN ACCORDANCE WITH NEC SECTION 450-9, ALLOW AT LEAST SIX INCHES CLEARANCE FOR VENTILATION.  
CHECK ADDITIONAL NEC AND LOCAL CODES.

NEMA CLASS AA DRY TYPE TRANSFORMER

ASSEMBLED IN MEXICO

X3 - X2 - X1 - X0

- H3 - H2 - H1

Note: Standard

Outline: 303B111GEUYP73A

X0  
X1 - H1  
X2 - H2  
X3 - H3

X3 - X2 - X1 - X0  
- H3 - H2 - H1

\*2M0000000\*

X0  
X1 - H1  
X2 - H2  
X3 - H3

X3 - X2 - X1 - X0  
- H3 - H2 - H1

\*3M0000000\*